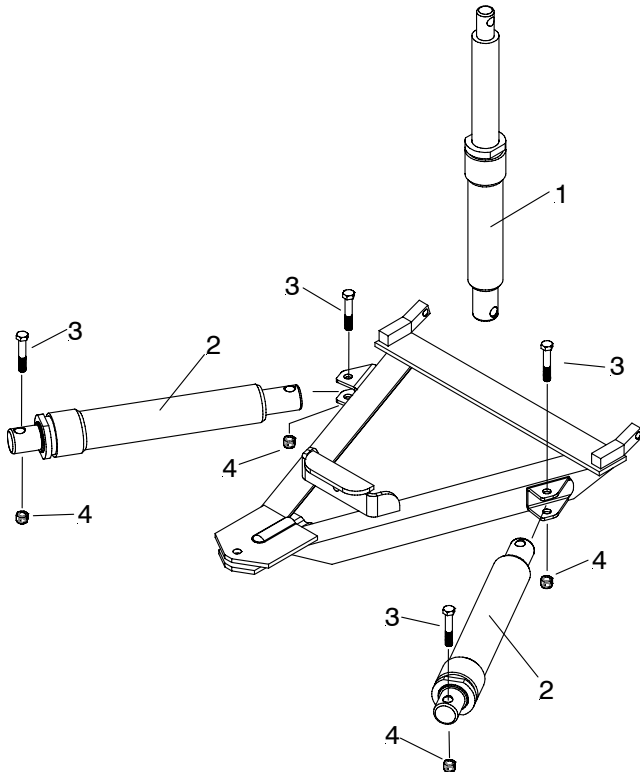


# Central Hydraulic Lift Cylinder and Angle Cylinder Kit 08877 for HM & HMP Plows 08878 for EZ Plus Mount Plows

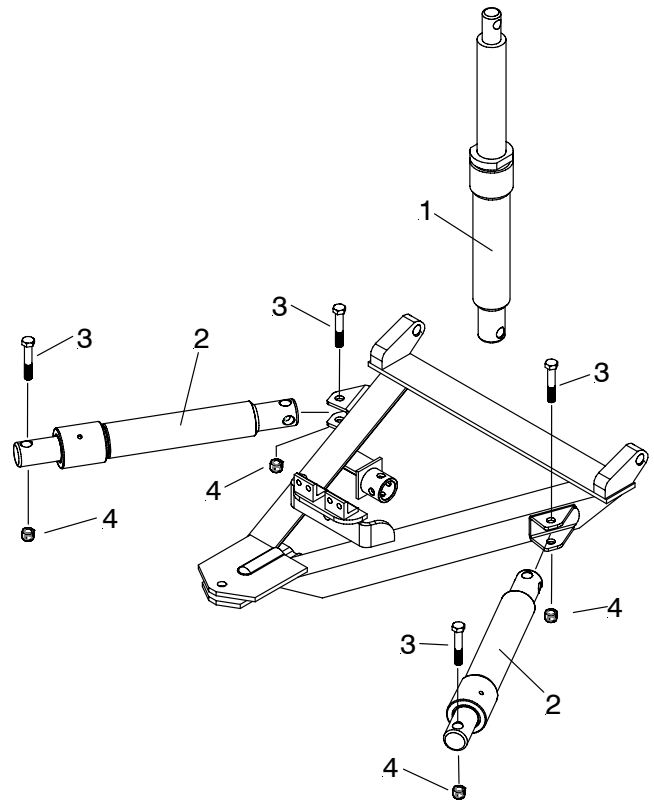
### 08877 PARTS LIST

Item	Part No.	Qty.	Description
	08877		Central Hyd Kit HM Series
1	817000116	1	• Lift Cylinder 1-3/4 x 8"
2	05752	2	• P.A. Cylinder 2 x 12"
	08364	1	• Hardware Bag
3	20147	4	•• Bolt H 5/8-11 x 3-1/2" Gr. 5
4	20309	4	•• Locknut 5/8-11



### 08878 PARTS LIST

Item	Part No.	Qty.	Description
	08878		Central Hyd Kit Plus Series
1	817000116	1	• Lift Cylinder 1-3/4 x 8"
2	05877	2	• P.A. Cylinder 1-1/2 x 10"
	08364	1	• Hardware Bag
3	20147	4	•• Bolt H 5/8-11 x 3-1/2" Gr. 5
4	20309	4	•• Locknut 5/8-11



Parts indented are included in the carton, bag or assembly under which they are indented. When ordering parts, furnish Part No., Name, and Description. Also furnish Vehicle Model and Year. Type of Hydraulic Unit and Moldboard Size.

Meyer Products reserves the right, under its continuing product improvement program, to change construction or design details, specifications and prices without notice or without incurring any obligation.

Meyer Products LLC  
18513 Euclid Ave. • Cleveland, Ohio 44112-1084  
Phone 486-1313 (Area Code 216)  
www.meyerproducts.com • email info@meyerproducts.com

Meyer New England  
6 Angell Lane • Damariscotta, ME 04543-4507  
Phone 563-2227 (Area Code 207)  
www.diamondplow.com • email info@diamondplow.com