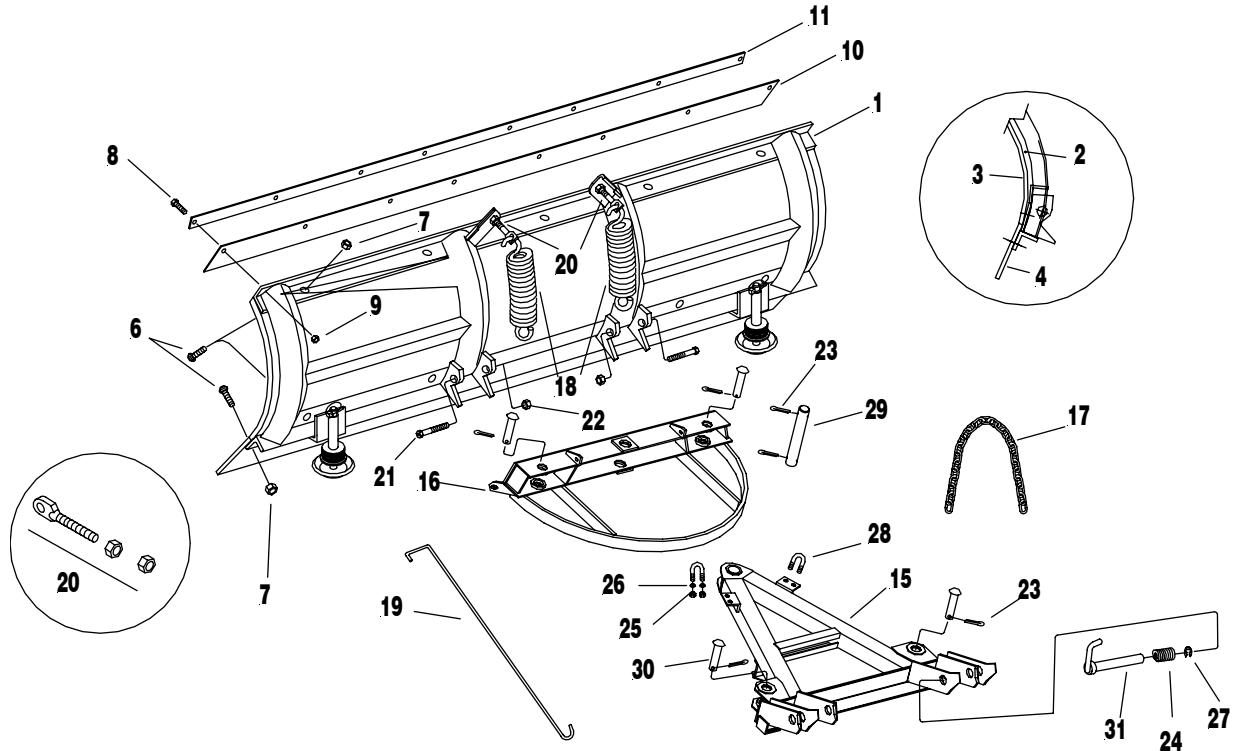


SNOWPLOWS
by Meyer

COMMON ATTACHING KIT

TMP 7.0 Full Trip Moldboard

(PULL AWAY MOUNTINGS)



PARTS LIST

Item	Part No.	Qty.	Description	Item	Part No.	Qty.	Description
	84018	1	Moldboard Assembly		80214	1	Hardware Bag
1	12480	1	• Moldboard Frame	20	09124	2	• Eye Bolt w\Locknut
2	12370	4	• Rubber Insert TMP	21	13598	2	• Pivot Bolt w\Grease Fitting
3	12085	1	• Plastic Sheet	22	20309	3	• Locknut Esna 5/8-11
4	09105	1	• Cutting Edge	23	20420	6	• Cotter Pin 1/4 x 2
5	08184	1	• Hardware Bag, Cutting Edge		21984	2	• Hairpin Cotter
6	22190	10	• Bolt 1/2-13 x 1-3/4 Gr. 5	24	814000005	2	• Spring Hook Up Pin
7	20307	10	• Locknut Esna 1/2-13		8500003307 001	2	• HHCS 5/8-11 Gr. 2
8	22192	8	• Bolt H 1/4-20 x 1 Gr. 2		8500003377	1	• Cap Screw 5/8-11 x 5-1/2 Gr. 5
9	20312	8	• Nut Eslok 1/4-20	25	8501001007	4	• Nut 7/16-14
			Snow Deflector Kit		8501003013	4	• Jam Nut 5/8-11 Gr. 2
10	80226	1	• Snow Deflector	26	8507001012	4	• Lock Washer 7/16
11	12087	1	• Bar Reinforcement		8507001015	2	• Lock Washer 5/8
			Runner & Spindle Assy.	27	8509002027	2	• Snap Ring
12	10853	2	• Mushroom Weldment	28	8518001026	2	• U-Bolt 7/16-14
13	20359	18	• 3/4 Flat Washer		80215	1	Pin Bag
14	22083	2	• Linch Pin	29	80209	1	• Blade Pivot Pin
			Common Attaching Kit		11006	2	• Hinge Pin
15	81501	1	• Push Frame	30	819000 001 002	4	• Pin 1-3/16 x 2-13/16 Lg.
16	80210	1	• Sector Frame	31	814000 015	2	• 1" Pin Hook-up
	812000 040	1	• Lift Arm Weldment		09916	1	Plow Marker Kit
17	81511002 008 059	1	• Lift Chain		08201	2	• Plow Marker
18	12978	2	• Trip Spring		20005	2	• 1/4-20 x 1 Cap Screw Gr. 2
19	819000 013	1	• Release Hook		20325	2	• 1/4 Lock Washer
					20312	2	• Nut Eslok 1/4-20

Parts indented are included in the carton, bag or assembly under which they are indented. When ordering parts, furnish Part No., Name, and Description. Also furnish Vehicle Model and Year. Type of Hydraulic Unit and Blade Size.

Diamond Equipment reserves the right, under its continuing product improvement program, to change construction or design details, specifications and prices without notice or without incurring any obligation.

INSTALLATION INSTRUCTIONS

- A. Attach each end of Lift Chain (17) to the two holes in each of the diagonal braces of the pushframe using 7/16-14 "U" bolts (28), lockwashers (26), and locknuts (25).
- B. Install Sector Frame (16) onto the plow blade using Pivot Bolts (21) and Locknuts (22).
- C. Insert the Blade pivot pin (29) down through the Sector Frame (16) and Push Frame (15). Secure the pivot pin (29) using cotter pins (23).
- D. Install the angling cylinders between the push frame (15) and the ears on the back side of the plow blade with the rod end of the cylinders toward the plow blade. The elbows in the ports of the cylinders should be between the angle cylinders and the push frame.
- E. Attach the stationary end of the cylinders to the pushframe using the two cylinder pins (30). Attach the rod ends of the angle cylinders to the back side of the plow blade also using cylinder pins (30). Secure the cylinder pins using cotter pins (23).
- F. Compress each hook-up pin Spring (24) slightly and place them between the inner most ear and the center ear on each side of the pushframe with the hole through the center of each spring lined up with the pin holes in the pushframe ears. Insert each hook-up pin (31) through the pin hole in each inner most ear of the pushframe, through the center of the springs (24) and out through the center and outside ears on each side of the pushframe. Compress the hook-up pin springs (24) slightly and secure the hook-up pins (31) using snap rings (27) in the snap ring groove of each hook-up pin (31). **(The snap rings should be between the end of the spring and the inner surface of each of the center ears on the pushframe.)**
- E. Attach each plow marker to the two holes in the upper outer surface of each rib of the plow blade using 5/16-18 x 1" Bolt, lockwashers, and locknut.
- F. Attach plow to vehicle by pulling back and lock the spring loaded hook-up pins (31) on each side of the pushframe. Attach the lift chain (17) to the lift arm hooks and lift the back of the pushframe up level using the vehicle hydraulics. Line up the spring loaded hook-up pins with the corresponding set of holes in the lower part of the mounting frame. Unlock the spring loaded hook-up pins so that they go completely through the holes in the mounting frame and the pushframe ears. Adjust the lift chain at the lift chain hooks on the lift arm so that the plow blade will lift fully and also be able to follow the ground contour while plowing. **NOTE: If lift chain does not pull evenly, shorten the longer side by attaching at a different link or at half a link where the chain is attached to the pushframe with the "U" bolts (28).**
- H. Check Tripedge for adjustment.
 - a. The Springs are properly adjusted when a piece of paper can be placed between the spring coils.
 - b. If the Tripedge springs need adjustment, loosen the bottom locknut on both spring assemblies. Rotate the top nut until the springs are properly adjusted.
 - c. Be sure to tighten the bottom locknut securely on both assemblies to the top nut to prevent loosening of the assemblies.

Diamond Equipment or Meyer Products assumes no responsibility for installations not made in accordance with these instructions.