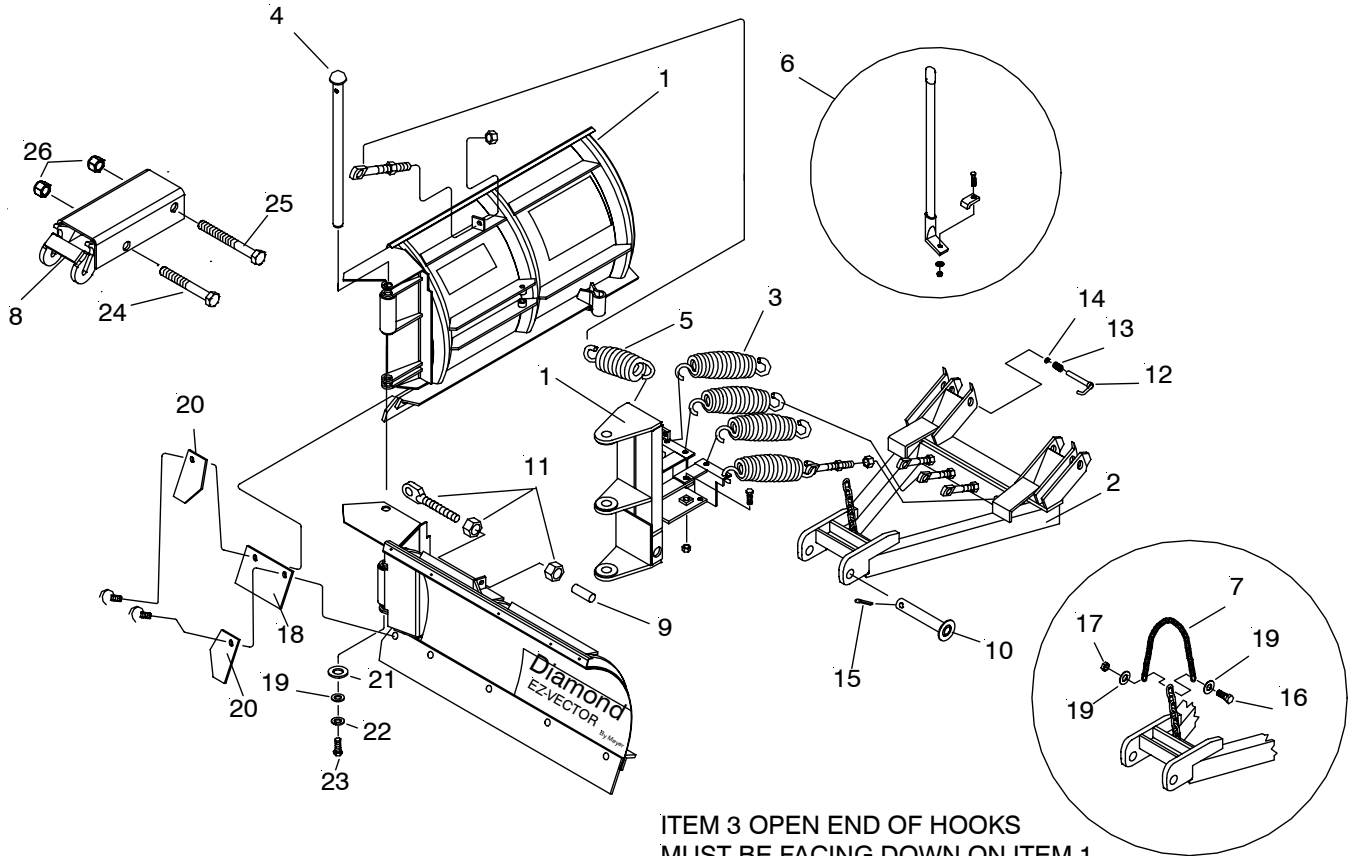




SNOWPLOWS
by Meyer

Parts & Installation Instructions

81503 S.A.F. Carton



ITEM 3 OPEN END OF HOOKS
MUST BE FACING DOWN ON ITEM 1

Parts List

Item	Part No.	Qty	Description
	81503	1	Common Attachment Kit
1	13625	1	• Pivot Assembly
2	81102	1	• Push Frame
3	07216	4	• Trip Springs
4	07069	1	• Hinge Pin
5	07178	2	• Trip Springs
6	09916	1	• Plow Marker Kit
7	8511002008040	1	• Lift Chain
8	812000040	1	• Lift Arm
	80324	1	• HARDWARE BAG
9	07031	6	•• Cap (Eye Bolt)
10	12396	1	•• Pivot Pin
11	09124	6	•• Eye Bolt Assembly
12	814000015	2	•• Pin (Hook-up)
13	814000005	2	•• Spring (Hook-up)
14	8509002027	2	•• Snap Ring 1"
15	20421	1	•• 1/4" x 2-1/4" Cotter Pin
16	20073	1	•• 7/16-14 x 1-1/2" capscrew
17	20306	1	•• 7/16-14 Locknut
18	12198	1	•• Center Piece (Rubber)
19	20354	3	•• 7/16 Washer
20	12381	2	•• Center Plate
21	20357	1	•• 5/8 Flatwasher
22	20328	1	•• 7/16 Lockwasher
23	20072	1	•• 7/16-14 x 1-1/4" Bolt H Gr. 5
24	20146	1	•• Bolt H 5/8-11 x 3-1/4" Gr. 5
25	20151	1	•• Bolt H 5/8-11 x 4-3/4" Gr. 5
26	20309	2	•• Locknut Esna 5/8-11