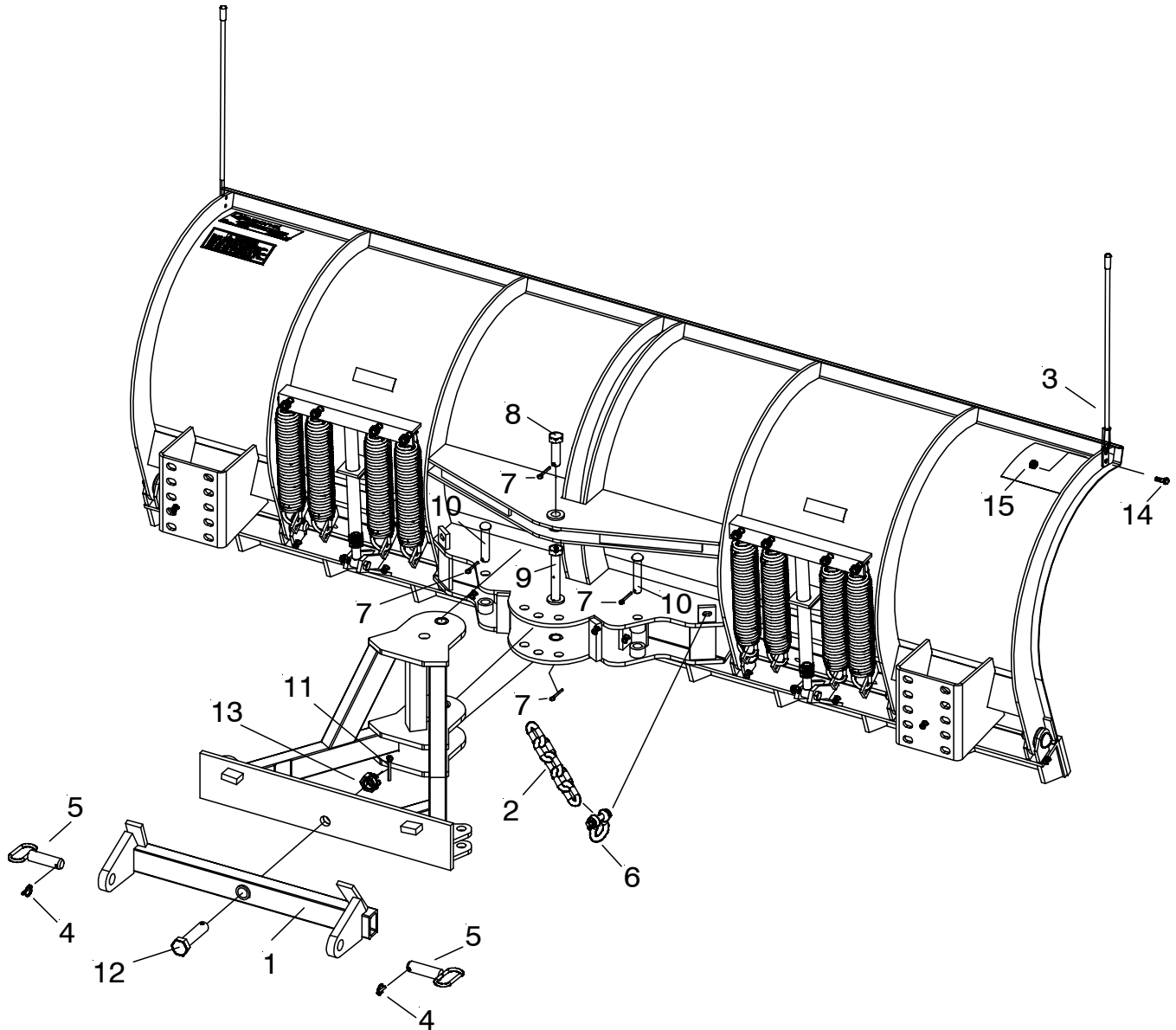




**SNOWPLOWS**  
by Meyer

# Parts & Installation Instructions

## 81505 S.A.F. Carton



### Parts List

Item	Part No.	Qty.	Description
	81505		<b>DAG Common Attaching Kit</b>
1	81028	1	• DAG Push Frame Rear
2	22289	1	• 3/8 x 64" Lift Chain Gr. 70
3	811000095	2	• Plow Marker
	08795	1	• <b>Hardware Bag</b>
4	22083	2	•• Lynch Pin
5	19005	2	•• Pin - Yellow Handle
6	22278	2	•• Anchor Shackle w/Safety Pin
7	20420	4	•• Cotter Pin 1/4 x 2"
8	22331	1	•• Pivot Bolt 1 x 3-5/16"
9	22333	1	•• Pivot Bolt 1 x 6-5/8" w/Grease Fttg.
10	22334	2	•• Pin 1 x 6-1/16"
11	20435	1	•• Cotter Pin 5/16 x 2-1/2"
12	22329	1	•• 1-1/4 - 7 x 5" Pivot Bolt Push Frame
13	22330	1	•• 1-1/4 - 7 Slotted Hex nut
14	20027	4	•• Bolt H 5/16-18 x 1 Gr. 2
15	20304	4	•• Locknut 5/16-18