



SNOWPLOWS

by Meyer

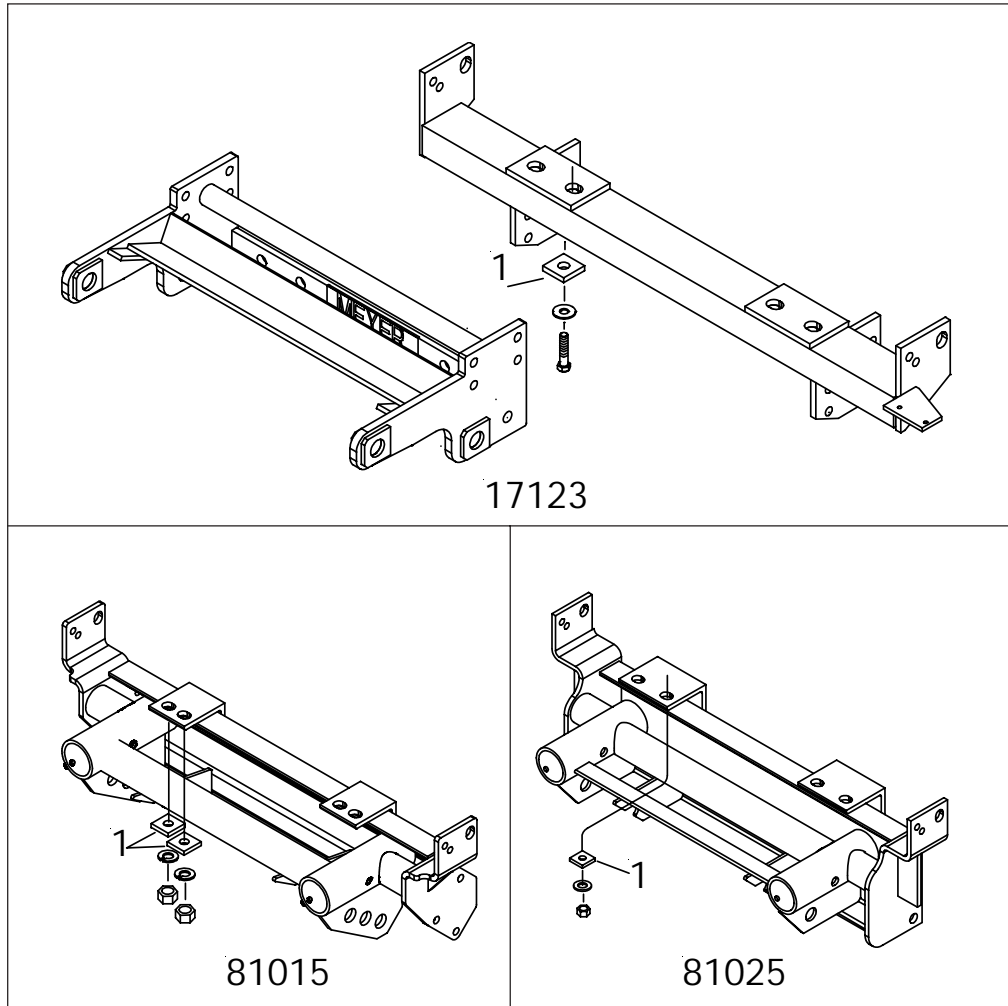
SERVICE BULLETIN NO. 27

Dodge Mountings: 81015, 81025 and 17123

Reports from the field have indicated a potential problem when over torquing of the bolts holding the center hangers of the Clevis Frame. Over torquing can cause distortion to the washers causing the mount to become loose. Under Diamond Equipment's continued product improvement program a Hardware Bag 08796 is provided to update all full size Dodge mountings in your stock. The Hardware Bag contains (4) 1/4" thick washers to eliminate distortion when torquing. See Illustration Below. The Hardware Bag can be ordered through our Sales Department at no charge.

Parts List

Item	Part No.	Qty.	Description
	08796	1	Hardware Bag
1	11139	4	• Washer Plate 7/16"



Diamond Equipment assumes no responsibility for installations not made in accordance to these instructions.

Meyer Products andDiamond Equipment reserves the right, under its continuing product improvement program, to change construction or design details, specifications and prices without notice or without incurring any obligation.

