



**WESTERN PRODUCTS**  
 7777 NORTH 73RD STREET  
 P.O. BOX 23045  
 MILWAUKEE, WISCONSIN 53223

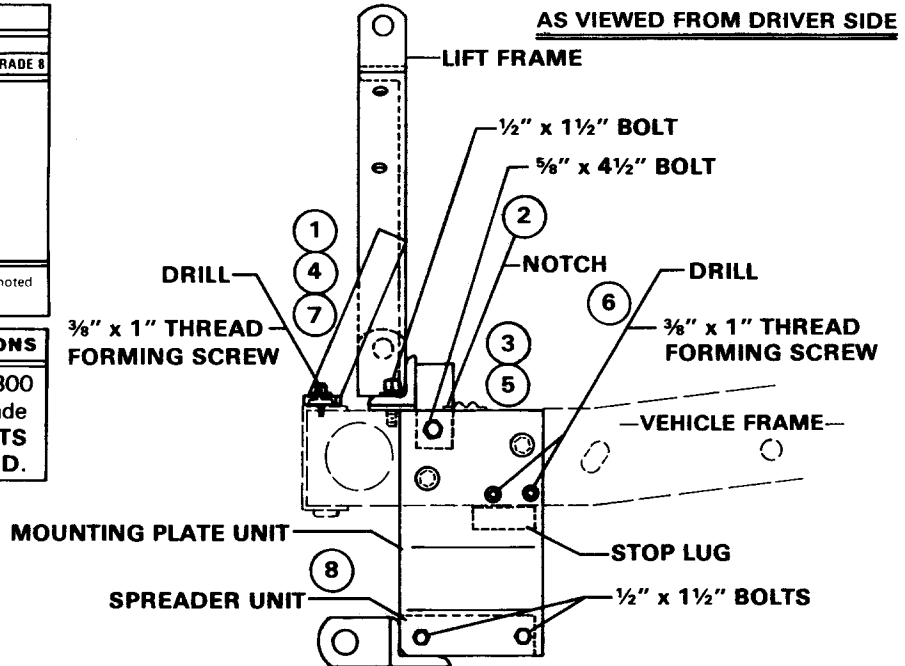
Box No. 60590  
 Model No. 230  
 Wrangler Jeep  
 Lift-Mount  
 1986½ & Later

**INSTALLATION INSTRUCTIONS**

RECOMMENDED FASTENER TORQUE CHART			
SIZE	TORQUE IN FOOT POUNDS		
	GRADE 2	GRADE 5	GRADE 8
1/4 - 20	6	9	13
5/16 - 18	11	18	28
3/8 - 16	19	31	46
3/8 - 24	24	46	68
7/16 - 14	30	50	75
1/2 - 13	45	75	115
9/16 - 12	66	110	165
5/8 - 11	93	150	225
3/4 - 10	150	250	370
7/8 - 9	202	378	581
1 - 8	300	583	893

These torque values apply to lift mount fasteners except those noted in the instructions where motion is desired.

MINIMUM VEHICLE RECOMMENDATIONS	
Aux. Light Kit	<b>REAR BALLAST-300 to 500 lbs. when blade is attached. WEIGHTS MUST BE SECURED.</b>
H.D. Alternator	
H.D. Battery	
H.D. Suspension	



**IMPORTANT:** Read instructions before assembling. Preventive maintenance can prevent accidents. Regularly inspect all components and repair or replace any worn, loose, or damaged parts immediately. Remember to use standard methods and practices when attaching snowplow including wearing safety glasses during drilling. Install snowplow as follows:

**LIFT & MOUNT ASSEMBLY**

1. Remove plastic splash guard located between bumper and grille. Retain guard and fasteners for replacement should the snowplow mounting be removed from the vehicle.
2. Cut 1/4" x 1/2" deep notch into brake line support crossmember next to frame side rails (both sides) to accept tabs welded to back side of lift frame. **CAUTION: Brake line is located under crossmember and must not be damaged.**
3. Assemble curb and driver side mount plate units with spacers against vehicle frame and stop lugs under frame, aligning 11/16" diameter holes to upper holes behind the front tube crossmember. (**NOTE:** Clearance holes are for steering gear fasteners.) Insert 5/8" x 4 1/2" cap screws thru 11/16" diameter hole of mount plate units and thru vehicle frame placing tube spacer over cap screw in frame box section. With 5/8" bolt flush with inside of vehicle frame, allow mount plate units to be suspended until lift unit is installed.
4. Install lift unit to vehicle frame placing the reinforcing braces on top of the bumper and align outboard holes in lift base angle to the threaded holes behind the bumper fasteners. Loosely install furnished 1/2" x 1 1/2" cap screws, lock washers and flat washers.
5. If space permits on one or both sides, insert 5/8" flat washer(s) between inside of vehicle frame and tab of lift frame before pushing partially inserted 5/8" bolt thru lift frame tab. Loosely install 5/8" locknut.
6. Rotate mount plates rearward so the stop lugs are firmly against bottom of vehicle frame and tighten 5/8" fastener. Using the 3/8" diameter holes in the lower rear corner of the mount plate units as a guide, drill two (2) 11/32" diameter holes per side and fasten with furnished 3/8" x 1" thread forming cap screws. **Torque to 30-35 ft. lbs.**
7. Tighten 1/2" fasteners holding lift frame installed in Step 2. Using reinforcing braces as a guide, drill two (2) 11/32" diameter holes thru top flange of bumper and fasten with furnished 3/8" x 1" thread forming cap screws. **Torque to 30-35 ft. lbs.**
8. Install spreader unit between mount plate units with the gussets on top and fasten with 1/2" x 1 1/2" cap screws and locknuts.

**LIGHT KIT INSTALLATION**

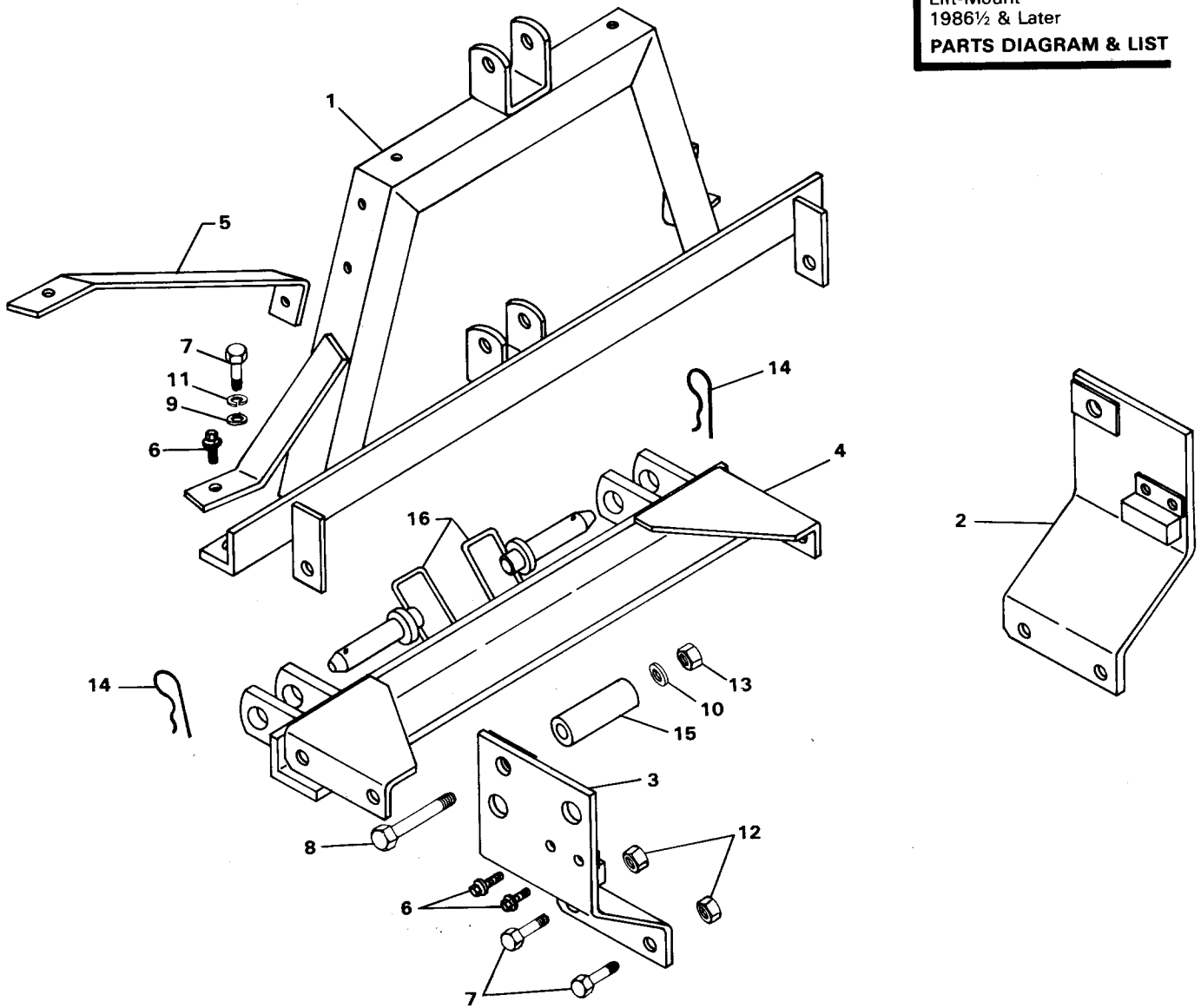
9. When installing 60010 Low-Profile Light Kit, replace 60005 and 60006 Light Bracket Brace Bars which angle the lights forward with furnished 60647 Brace Bars. These bars will keep the lights in line with the lift unit preventing light damage when stacking snow.

**CAUTION:** To prevent damage to gas lines, brake lines, gas tank vapor lines or wiring during installation, move and replace as necessary.

**TIGHTEN ALL BOLTS TO CORRESPONDING TORQUE VALUES NOTED IN FASTENER TORQUE CHARTS.**

**NOTE:** Assemble and install balance of snowplow per instructions furnished with each respective assembly.

Box No. 60590  
 Model No. 230  
 Wrangler Jeep  
 Lift-Mount  
 1986½ & Later  
**PARTS DIAGRAM & LIST**



13404-8701

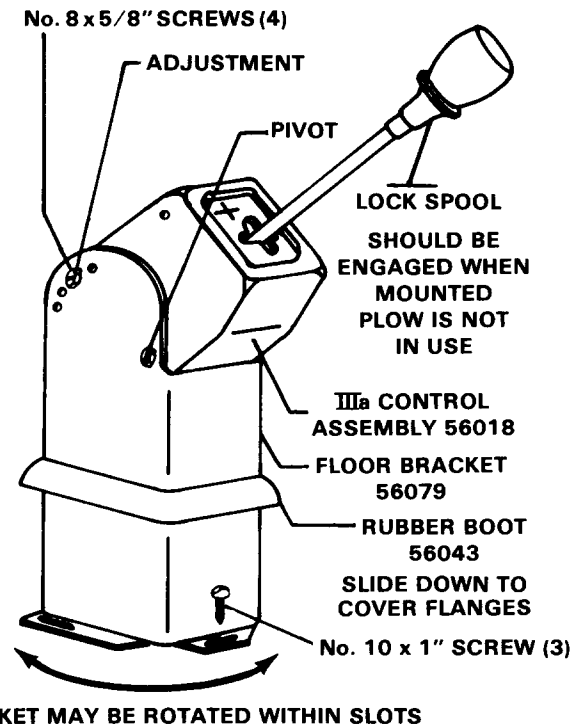
13405-8701

Item	Part Number	Quantity	Description
1	60631	1	Lift Unit
2	60636	1	Mount Plate Unit — Curb Side
3	60641	1	Mount Plate Unit — Driver Side
4	60643	1	Spreader Unit
5	60647	2	Brace Bar — Light Bracket
6	93169	6	Thread Forming Capscrew — 3/8" x 1" Long
7	90100	6	Capscrew — 1/2"-13 x 1-1/2" Long — Grade 5
8	90136	2	Capscrew — 5/8"-11 x 4-1/2" Long — Grade 5
9		2	Flat Washer — 1/2"
10		2	Flat Washer — 5/8"
11		2	Lock Washer — 1/2"
12	91335	4	Locknut — 1/2"-13 — Nylon Insert Type
13	91337	2	Locknut — 5/8"-11 — Nylon Insert Type
14	91965	2	Hairpin Cotter — 5/32" x 2-15/16" O/A Length
15	60650	2	Tube Spacer
16	93028	2	Hitch Pin — 1" x 3-1/2" Long

**NOTE:** Only those items indicated with a **PART NUMBER** are available for service.

**INSTALLATION INSTRUCTIONS  
FOR IIIa CONTROL  
TO VEHICLE TRANSMISSION TUNNEL**

The IIIa Control should be placed in the vehicle so it is convenient to the operator without interfering with shift levers or the seat when it is fully forward. Use the bracket in the location you select as a locating template to drill three (3) 9/64" diameter holes through the floorboard. These holes should be drilled in the center of the floor bracket slots, this will permit the bracket to be adjusted at the operators discretion. Fasten using No. 10 x 1" screws and lockwashers. Slide the rubber boot down to cover the flanges. Align forward holes of bracket and IIIa Control, place No. 8 x 5/8" long slotted hex head screws in these holes. Select best position for the IIIa Control and secure using two (2) more of the same size screws after cable installation is completed.



13088-8003

**INSTALLATION INSTRUCTIONS  
FOR 59700 BLADE GUIDE ASSEMBLY**

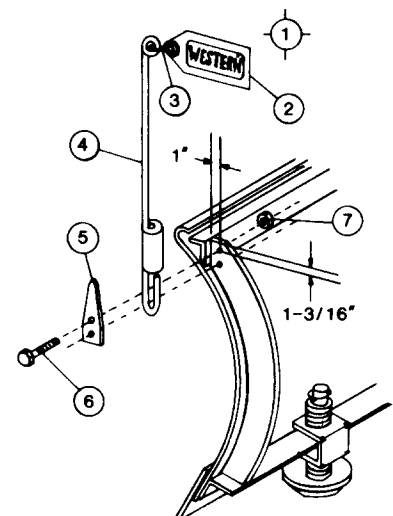
The following instructions simply outline the attachment of this blade guide assembly.

- Step 1. Lower blade to ground level.
- Step 2. If hole is not pre-drilled, drill one 11/32" hole, 1-3/16" down and 1" out on the outside rib of the blade. See diagram below.
- Step 3. Insert pointed end of clamp into coil of guide. Attach guide to rib using top hole of clamp. Secure assembly using supplied 5/16" x 1" bolt and locknut. Tighten until guide will stand alone perpendicular to road surface.
- Step 4. If hole is not pre-drilled, use lower hole of clamp as locator, drill bottom hole 11/32".
- Step 5. Bolt lower hole in place. Finish securing top bolt.
- Step 6. Attach other side following above steps.

Pictorial view supplied below. Remember to use standard methods and practices in attaching blade guides including wearing safety glasses during drilling.

**PARTS LIST  
59700 — BLADE GUIDE ASSEMBLY**

Item	Part No	Quan.	Description
1	59697	2	Blade Guide Rod, S-Hook & Flag
2	59694	1	Flag
3	59696	1	S-Hook
4	59691	1	Blade Guide Rod
5	59946	2	Clamp
6		4	Capscrew — 5/16"-18 x 1" Gr.2
7		4	Locknut - 5/16"-18 Nylon Insert



13009-7911

The following are registered® or unregistered™ Trade Marks of Douglas Dynamics, Inc.

WESTERN® ISARMATIC® Hydra-Turn® Roll-Action™

Western reserves the right under its Product Improvement Policy to change construction or design details and furnish equipment when so altered without reference to illustrations or specifications used herein.

Printed in U.S.A.