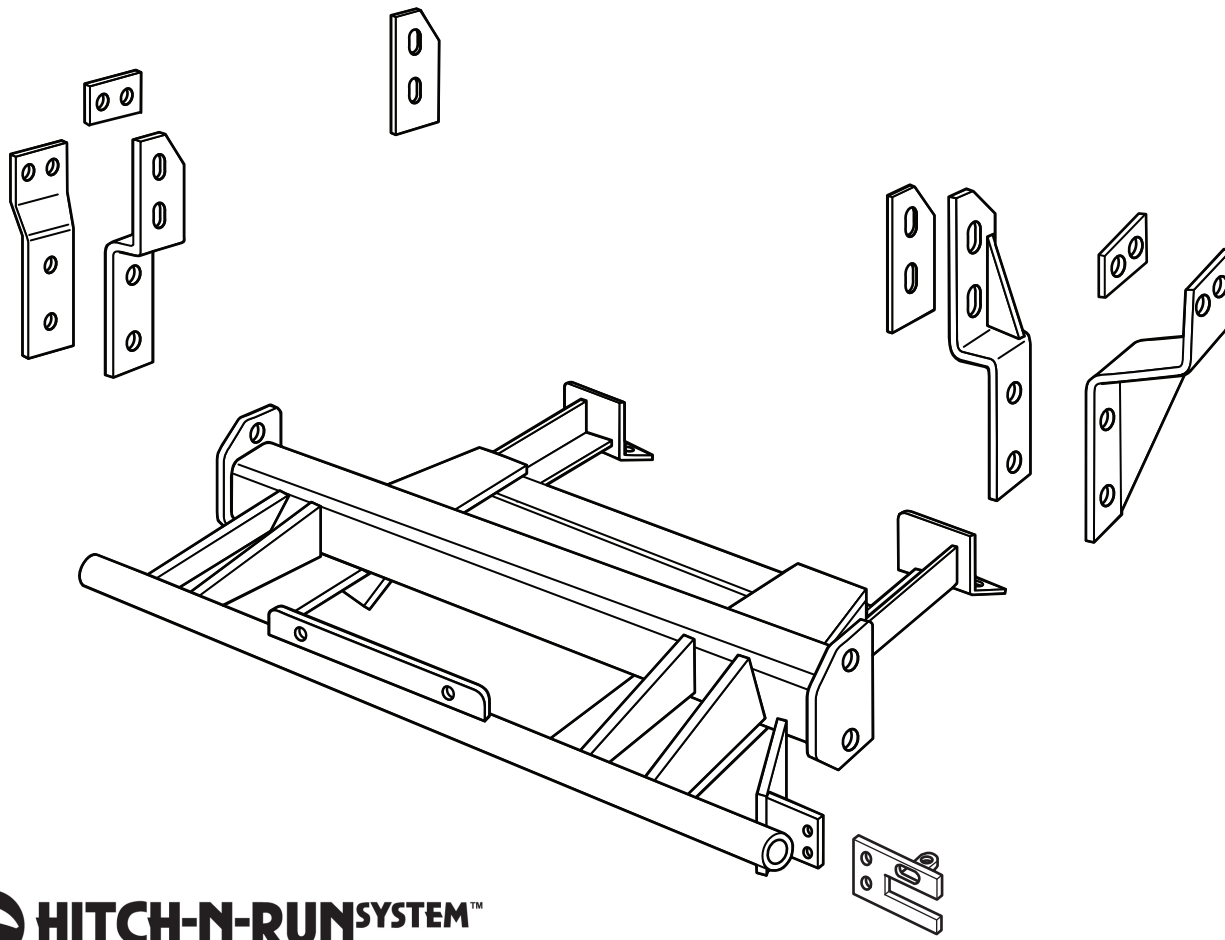




HOME-PRO[®] 3000

**2000 - 2004 Dakota / Durango
(With Max. GVWR & Max. FGAWR ONLY)**

Vehicle Mounting Kit: 1FK14B



Curtis Industries Inc. LLC, 111 Higgins St., Worcester, MA 01606 TEL: (800) 343-7676 FAX: (508) 854-3377 For Parts and information visit us at www.Curtisindustries.net
Curtis Industries Inc. LLC, reserves the right to change product design or specifications without notice or liability.
Curtis Snow Plows are protected by the following U.S. Patent Numbers: 6,145,222 and 6,209,231 Licensed under U.S. Patent Number 5,568,694 & Canadian Patent Number 2,137,853.
Other patents pending.

1FK14B Vehicle Mount Kit Parts List

Item #	Description	Qty.
1	Driver's Side Front Hanger	1
2	Passenger's Side Front Hanger	1
3	Driver's Side Outer Front Hanger	1
4	Passenger's Side Outer Front Hanger	1
5	Mounting Frame	1
6	Spacer Bar	2
7	Spacer Shim	2
Hardware Bag Components Included In This Kit		
8	1/4"-20 x 3/4" Hex Bolt, Gr. 5, Plated	2
9	12mm x 1.75mm x 40mm Hex Bolt, Gr.10.9, Plated	4
10	1/2"-13 x 1-1/2" Hex Bolt, Gr. 5, Plated	12
11	1/4" Flat Washer, Plated	2
12	1/2" Flat Washer, Plated	4
13	1/4" Lock Washer, Plated	2
14	12mm Lock Washer, Plated	4
15	1/2" Lock Washer, Plated	12
16	1/4"-20 Hex Nut, Gr. 5, Plated	2
17	1/2"-13 Hex Nut, Gr. 5, Plated	12
Hardware Components Included In Plow Light Harness Kit		
5a	Dual Plug Harness Bracket	1
-	10-32 x 3/4" Hex Head Screw, Plated	2
-	10-32 Nylock Lock Nut, Plated	2
-	8-32 x 1" Hex Head Screw, Plated	1
-	8-32 Nylock Lock Nut, Plated	1
-	#8 Nylon Flat Washer, 3/4" O.D.	1
-	#8 Flat Washer, SAE, Plated	1

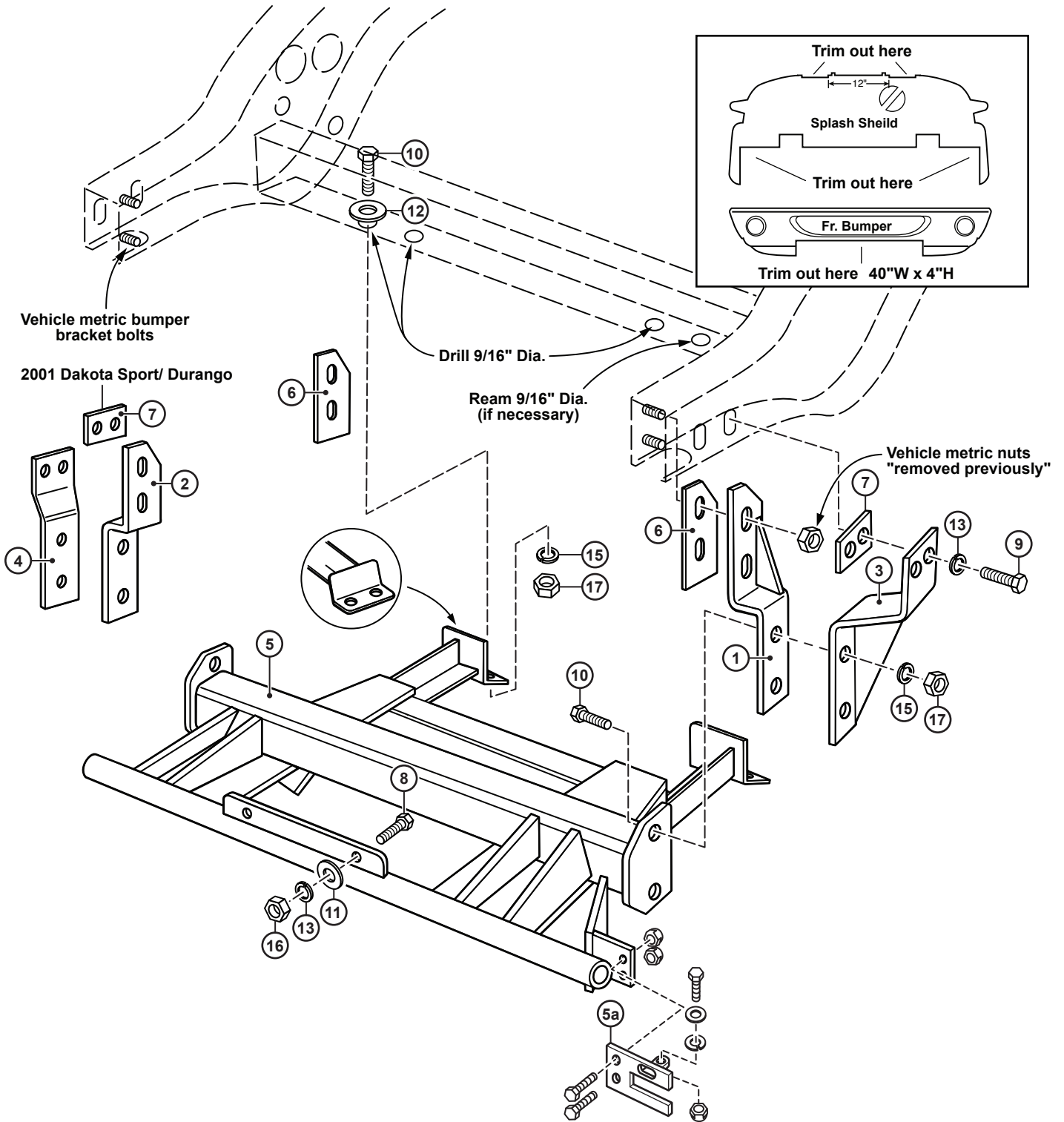


WARNING

It is highly recommended that front "helper springs", "airshocks", or other similar devices be installed onto this vehicle to prevent the front suspension from "bottoming out" while carrying a snow plow.

Vehicle must be properly "ballasted" by placing ballast weight behind the centerline of Rear Axle so that no more than 62% of the total weight of the Vehicle, Snow Plow, Driver, Ballast weight, (and any cargo) is placed on the Front Axle while at the same time not exceeding the Gross Vehicle Weight Rating and Front or Rear Gross Axle Weight Ratings.

1FK14B Mounting



Curtis Industries, LLC. reserves the right to change product design or specifications without notice or liability. Curtis Snow Plows and Truck equipment should only be used on vehicles equipped with the manufacturer's Snow Plow preparation package. Snow Plowing without the original snow plow preparation package may damage your vehicle and the added weight of the equipment may impair the operation and control of the vehicle.

1FK14B: 2000 - 2004 Dakota / Durango

Mounting Kit Installation Instructions

1. VEHICLE PREPARATION

- (1a.) Temporarily remove the plastic splash shield, (just behind the front bumper) and the vehicle front bumper. Save the original equipment vertical metric bumper bolts for later reinstallation.
- (1b.) **2000 Dakota / Durango & 2001 Dakota SLT:** Disacard the horizontal metric mounting bolts holding the bumper to it's mounting brackets and the vehicle frame.
- (1c.) **2001- Dakota Sport / Durango:** From inside each frame rail, install two 1/2"-13 x 1-1/2" bolts (10) out through the two horizontal holes in the outside surfaces. Place a spacer shim (7) on over the ends of the two 1/2"-13 x 1-1/2" bolts (10) in each frame rail.
- (1d.) **ALL MODELS:** Remove and save, (for later reinstallation) the metric nuts holding the bumper mounting brackets to the frame rails. Trim the plastic splash shield and the lower plastic portion of the front bumper as shown in the illustration.



NOTE

All fasteners should remain loose or "finger tight" until all components have been attached to vehicle or installation instructions specify tightening.

2. INNER FRONT HANGERS

Install the Spacer Bars (6) and Inner Front Hangers (1 & 2) on over the ends of the metric bolts holding the front bumper brackets to the inner surface of the frame rails. Fasten loosely using the metric nuts removed previously. Place the trimmed plastic splash shield loosely back into position. Do not fasten completely.

3. MOUNTING FRAME

- (3a.) Lift the Mounting Frame (5) up under the front of the vehicle with the end plates on the front cross tube between the Inner Front Hangers (1 & 2). Line up the holes in the inner front hangers with the holes in the end plates. Insert 1/2"-13 x 1-1/2" Bolts (10) into the holes from the inside of the inner front hangers to the outside of the end plates.
- (3b.) Place the trimmed front bumper back into position and fasten it loosely to the bumper mounting brackets using the original equipment metric bolts removed previously.

4. OUTER FRONT HANGERS

- (4a.) **2000 Dakota / Durango & 2001 Dakota SLT:** Install the lower ends of the Outer Front Hangers (3 & 4) on over the ends of the 1/2"-13 x 1-1/2" Bolts (10) holding the end plates on the front cross tube of the mounting frame (5) to the inner front hangers (1 & 2). Fasten loosely using 1/2" Lock Washers (15), and 1/2"-13 Nuts (17) Line up the holes in the upper end of outer frame hangers with the holes in the front bumper rear mounting brackets and the tapped tab nuts in the frame rails. Fasten loosely using 12mm x 1.75mm x 40mm Bolts (9), and 12mm Lock Washers (14).
- (4b.) **2001- Dakota Sport / Durango:** Install the upper ends of the Outer Front Hangers (3 & 4) on over the ends of the 1/2"-13 x 1-1/2" bolts (10) previously installed in the outside surface of the frame rails with the lower ends of the hangers on over the ends of the 1/2"-13 x 1-1/2" bolts (10) holding the end plates on the mounting frame (5) to the Inner Front Hangers (1 & 2). Fasten loosely using 1/2" Lock Washers (15) and 1/2"-13 nuts (17).

5. DRILLING & TIGHTENING

- (5a.) While holding the rear bolting ears of the Mounting Frame (5) tight against the vehicle front cross member, line up the outer hole in the driver's side ear with the hole in the cross member. Ream through the two holes using a 9/16" dia. drill. Fasten using a 1/2"-13 x 1-1/2" Bolt (10), 1/2" Flat Washer (12), 1/2" Lock Washer (15), and 1/2"-13 Nut (17). (The head of the bolt and the flat washer should be inside the cross member).
- (5b.) Align the front bumper with the vehicle grill and body work, then tighten all bumper bracket, mounting frame, and front hanger fasteners installed up to this point.
- (5c.) Using the three remaining open holes in the rear bolting ears on the mounting frame as guides, drill 9/16" dia, holes through the vehicle front cross member. Install and tighten 1/2"-13 x 1-1/2" Bolts (10), 1/2" Flat Washers (12), 1/2" Lock Washers (15), and 1/2"-13 Nuts (17) into the drilled holes. (The heads of the bolts and the flat washers should be inside the cross member).
- (5d.) Fasten the trimmed plastic splash shield into place using the original equipment plastic fasteners. If necessary, attach the vehicle front license plate to the bracket provided on the cross bar of Mounting Frame (5) using 1/4"-20 x 3/4" Bolts (8), 1/4" Flat Washers (11), 1/4" Lock Washers (13), and 1/4"-20 Nuts (16).

6. FINAL ADJUSTMENT AND INSPECTION

Inspect the front mounting, front hanger, and bumper attachment bolts to be certain that they are all in place and that they are all tight.

7. OPTIONAL PLUG MOUNT BRACKET INSTALL



NOTE

Install the Plug Mount Bracket if the harness will be mounted on the frame kit, otherwise, the harness may be routed through the grill, bumper, etc.

Using (2) 10-32 x 3/4" hex bolts and nylon locknuts, fasten the Plug Mount Bracket to the Plug Mount Bracket Mounting Tab located on the driver's side of the frame kit receiver. The included 8-32 hardware is used for mounting the hi-amp battery leads to the Plug Mount Bracket if used

