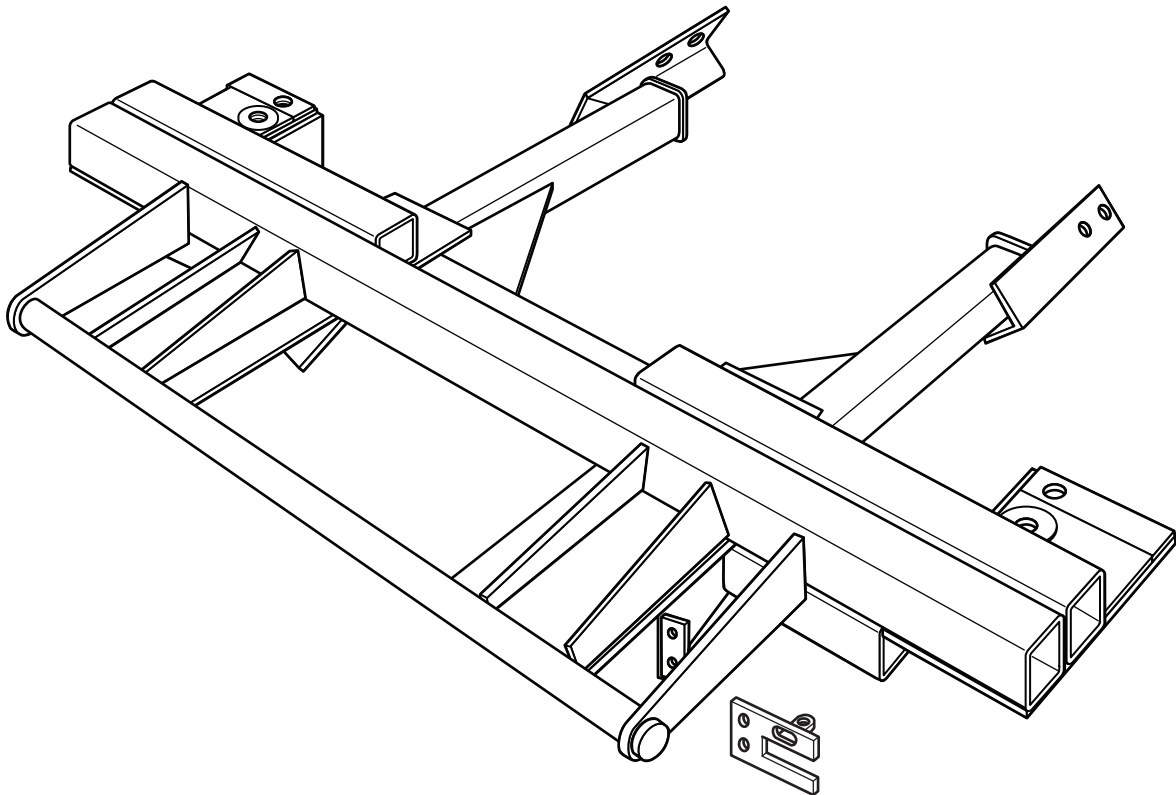




HOME-PRO[®] 3000

**2007 - Toyota Tundra Double Cab V8
Auto Transmission (With Max. GVWR & Max. FGAWR ONLY)**

Vehicle Mounting Kit: 1FK44



Curtis Industries Inc. LLC, 111 Higgins St., Worcester, MA 01606 TEL: (800) 343-7676 FAX: (508) 854-3377 For Parts and information visit us at www.Curtisindustries.net
Curtis Industries Inc. LLC, reserves the right to change product design or specifications without notice or liability.
Curtis Snow Plows are protected by the following U.S. Patent Numbers: 6,145,222 and 6,209,231 Licensed under U.S. Patent Number 5,568,694 & Canadian Patent Number 2,137,853.
Other patents pending.

1FK44 Vehicle Mount Kit Parts List

Item #	Description	Qty.
1	Mounting Frame	1
Hardware Bag Components Included In This Kit		
2	1/2"-13 Nuts	4
3	1/2" - Lock Washers, High Strength	4
4	12mm Lock Washers	4
5	12mm x 1.25 x 50mm Bolts	4
6	1/2"-13 x 1-1/2" Bolts	4
7	12mm Flat Washers	4
Hardware Components Included In Plow Light Harness Kit		
1a	Dual Plug Harness Bracket	1
-	10-32 x 3/4" Hex Head Screw, Plated	2
-	10-32 Nylock Lock Nut, Plated	2
-	8-32 x 1" Hex Head Screw, Plated	1
-	8-32 Nylock Lock Nut, Plated	1
-	#8 Nylon Flat Washer, 3/4" O.D.	1
-	#8 Flat Washer, SAE, Plated	1

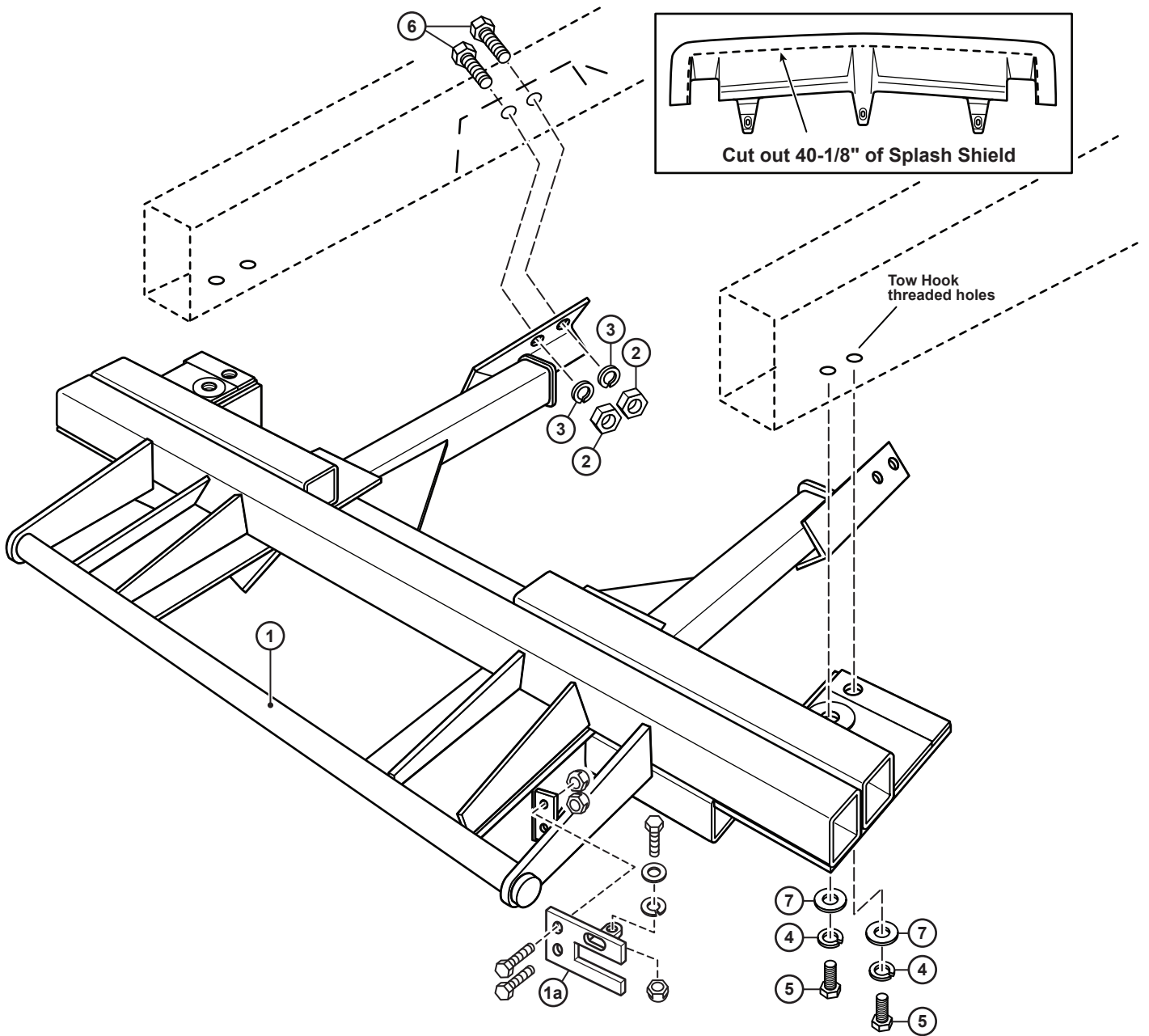


WARNING

It is highly recommended that front "helper springs", "airshocks", or other similar devices be installed onto this vehicle to prevent the front suspension from "bottoming out" while carrying a snow plow.

Vehicle must be properly "ballasted" by placing ballast weight behind the centerline of Rear Axle so that no more than 62% of the total weight of the Vehicle, Snow Plow, Driver, Ballast weight, (and any cargo) is placed on the Front Axle while at the same time not exceeding the Gross Vehicle Weight Rating and Front or Rear Gross Axle Weight Ratings.

1FK44 Mounting



Curtis Industries, LLC. reserves the right to change product design or specifications without notice or liability. Curtis Snow Plows and Truck equipment should only be used on vehicles equipped with the manufacturer's Snow Plow preparation package. Snow Plowing without the original snow plow preparation package may damage your vehicle and the added weight of the equipment may impair the operation and control of the vehicle.

1FK44: 2007 - Toyota Tundra Double Cab V8

Mounting Kit Installation Instructions

1. VEHICLE PREPARATION

- (1a.) Remove and store the original equipment front skid / splash pan, the tie down bracket & fasteners on the driver's side frame rail and the tow hook / tie down bracket & fasteners on the passenger's side frame rail just behind the front bumper.
Save all the original equipment parts and fasteners for possible reinstallation if the plow mounting is removed.
The skid / splash pan, tie down brackets, tow hook, and fasteners will not be re-installed with the mounting frame (1) attached.
- (1b.) Remove the center section of the vehicle front bumper and cut approximately 40" wide and 8" up from the bottom of the bumper.
- (1c.) You will find two 3/8" holes on the inside of the vehicles A-frame brackets. Those four holes all need to be drilled to 9/16" to allow for 1/2" bolts to pass through.



NOTE

All fasteners should remain loose or "finger tight" until all components have been attached to Vehicle or installation instructions specify tightening.

IMPORTANT

If the plow mounting frame (1) is ever removed from the vehicle, the original equipment skid / splash pan must be reinstalled before the vehicle is put back into service.

2. MOUNTING FRAME

- (2a.) Lift the mounting frame (1) up under the frame rails lining up the two holes on the horizontal plate with the tow hook mounting holes.
Fasten using the four 12mm x 1.25 x 50mm bolts (5), 12mm lock washers (4), and 12mm flatwashers (7).
- (2b.) Line up the four rear a-frame bracket holes with the holes provided on the mount.
Fasten using the four 1/2"-13 x 1.5" bolts (6) and 1/2" lock washers (3) and the 1/2"-13 nuts (2) provided in the hardware kit.

3. FINAL ADJUSTMENT AND INSPECTION

Inspect the mounting attachment and original equipment bolts to be certain that they are all in place and that they are all tight.

4. OPTIONAL PLUG MOUNT BRACKET INSTALL



NOTE

Install the Plug Mount Bracket if the harness will be mounted on the frame kit, otherwise, the harness may be routed through the grill, bumper, etc.

Using (2) 10-32 x 3/4" hex bolts and nylon locknuts, fasten the Plug Mount Bracket to the Plug Mount Bracket Mounting Tab located on the drivers side of the frame kit receiver.
The included 8-32 hardware is used for mounting the hi-amp battery leads to the Plug Mount Bracket, if used.

