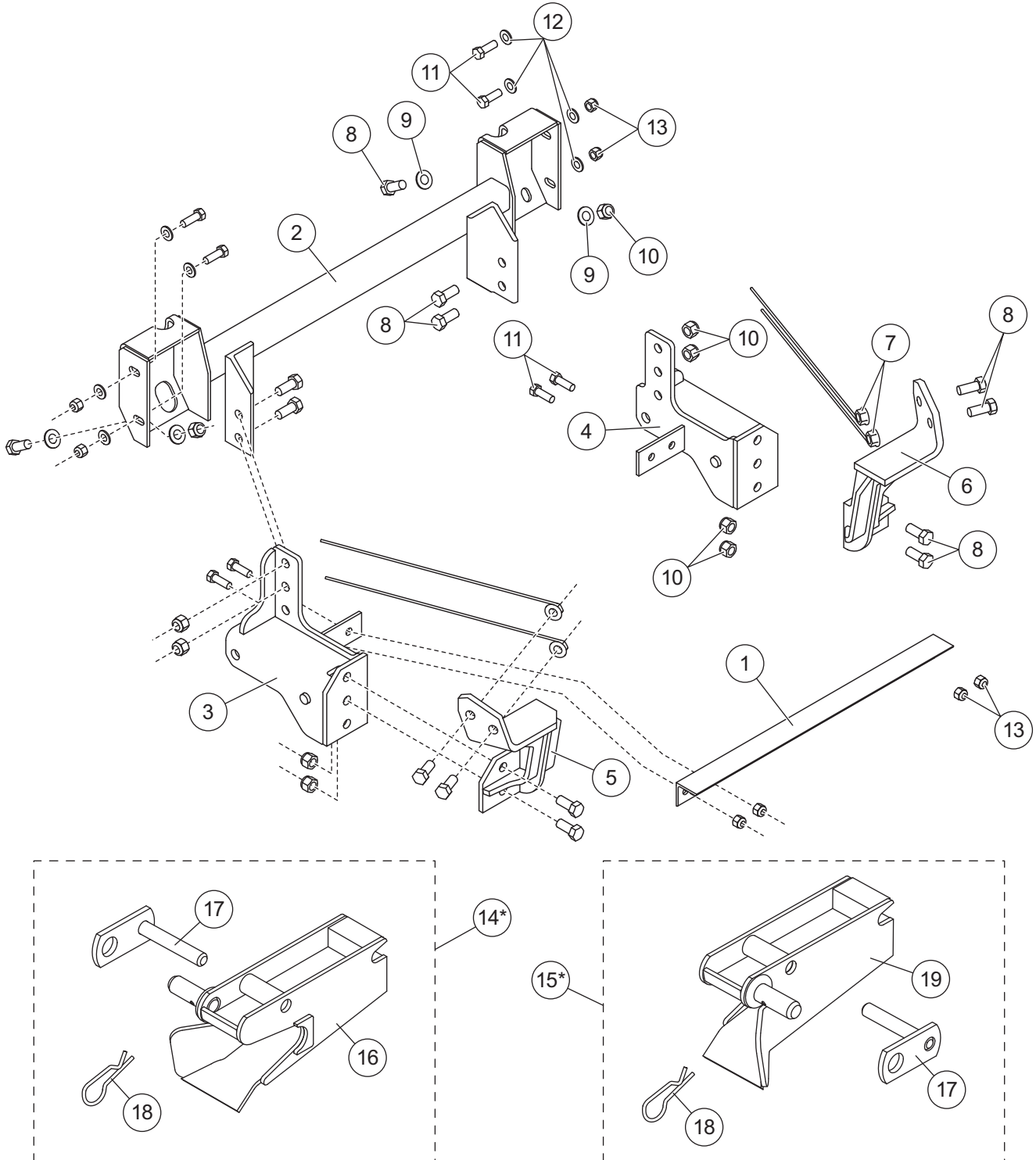




Western Products
PO Box 245038
Milwaukee, WI 53224-9538
www.westernplows.com

DD A DIVISION OF DOUGLAS DYNAMICS, L.L.C.

63710-1 MOUNT KIT
MODEL NO. 1349
Ford Bronco (4X4 only)
F-150 (4X4 only), F-250/350
Ford Super Duty 1980 - 91



* The Receiver Kits are packaged and sold separately. Items in these kits are not included in the Mount Assembly Box, and must be purchased separately.

PARTS LIST – MODEL 63710-1

63710-1 Ford Mount Kit							
Item	Part	Qty	Description	Item	Part	Qty	Description
1	67774	1	Bar, Cross w/Name Plate	6	64420	1	Thrust Arm, PS
2	64265	1	Cross Mount	7	64424	4	Nut Bar
3	64255	1	Mount, DS	ns	60495	1	Evaporator Bracket
4	64260	1	Mount, PS	ns	64423	1	Bolt Bag – 63710-1
5	64325	1	Thrust Arm, DS				
64423 Bolt Bag – 63710-1							
8	90127	14	5/8-11 x 1-1/2 Hex Cap Screw G5	13	91335	8	1/2-13 Hex Locknut GB
9	63927	4	5/8 Flat Washer	ns	68494	4	5/16-18 x 1 Hex Cap Screw G5
10	91337	10	5/8-11 Hex Locknut GB	ns	90313	4	5/16 Flat Washer
11	90210	8	1/2-13 x 1-1/2 Hex Cap Screw G5	ns	91332	4	5/16-18 Hex Locknut GB
12	90572	8	1/2 Hardened Flat Washer				
ns = not shown				G = Grade			

Item 15* 67859 Passenger-Side Receiver Kit *							
Item	Part	Qty	Description	Item	Part	Qty	Description
19		1	Receiver, PS	18	91965K	1	5/32" Hairpin Cotter
17	67665	1	Pin, Receiver				

Item 14* 67858 Driver-Side Receiver Kit *							
Item	Part	Qty	Description	Item	Part	Qty	Description
16		1	Receiver, DS	18	91965K	1	5/32" Hairpin Cotter
17	67665	1	Pin, Receiver				

*** The Receiver Kits are packaged and sold separately. Items in these kits are not included in the Mount Assembly Box, and must be purchased separately.**

Copyright © 2009 Douglas Dynamics, L.L.C. All rights reserved. This material may not be reproduced or copied, in whole or in part, in any printed, mechanical, electronic, film or other distribution and storage media, without the written consent of Western Products. Authorization to photocopy items for internal or personal use by Western Products outlets or snowplow owner is granted.

Western Products reserves the right under its product improvement policy to change construction or design details and furnish equipment when so altered without reference to illustrations or specifications used. Western Products or the vehicle manufacturer may require or recommend optional equipment for snow removal. Do not exceed vehicle ratings with a snowplow. Western Products offers a limited warranty for all snowplows and accessories. See separately printed page for this important information. The following are registered (®) or unregistered (™) trademarks of Douglas Dynamics, L.L.C.: UltraMount®, WESTERN®.

Printed in U.S.A.