

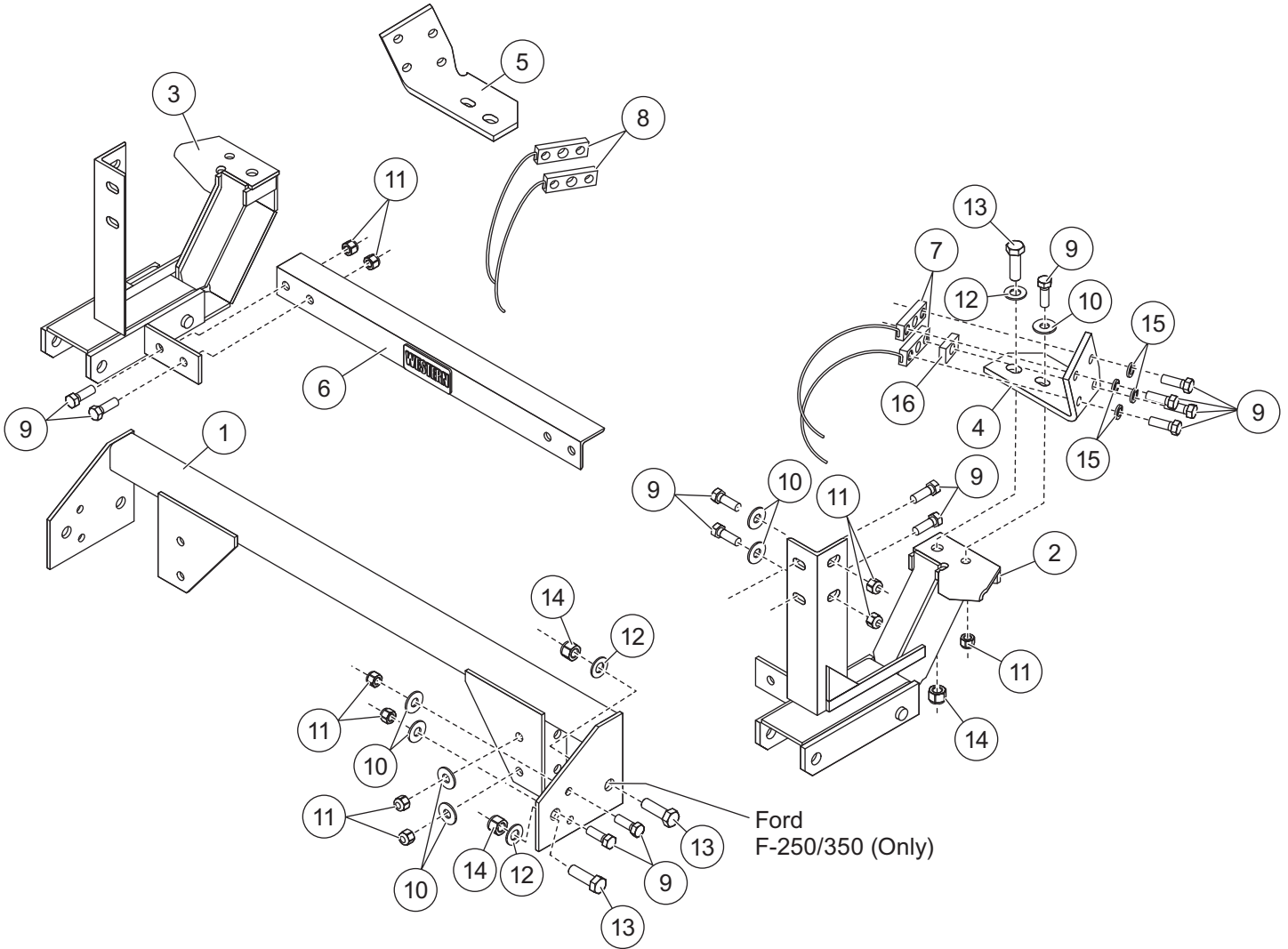


Western Products
 PO Box 245038
 Milwaukee, WI 53224-9538
 www.westernplows.com

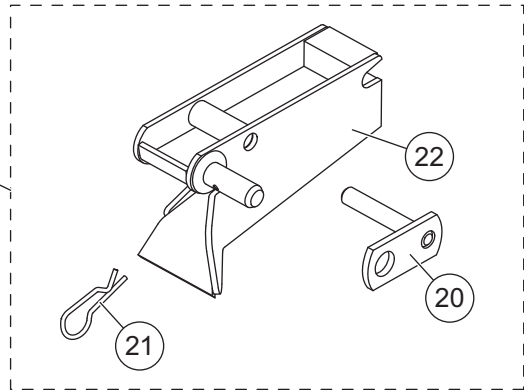
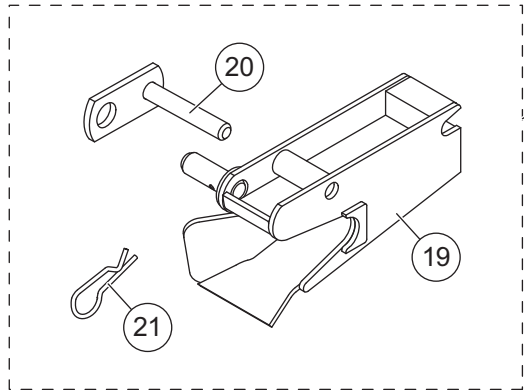
DD A DIVISION OF DOUGLAS DYNAMICS, L.L.C.

**67830, 67830-1, 67830-2
 MOUNT KIT MODEL NO. 1299**

Ford Bronco F-150/250/350 4X4 1992 - 96
 Ford F-250 2WD (over 8,500 GAWR)
 Ford F-350 2WD (over 10,000 GAWR)
 Super Duty 1992 - 97



Ford F-250/350 (Only)



* The Receiver Kits are packaged and sold separately. Items in these kits are not included in the Mount Assembly Box, and must be purchased separately.

PARTS LIST – MODEL 67830, 67830-1, 67830-2

67830, 67830-1, 67830-2 Mount Kit							
Item	Part	Qty	Description	Item	Part	Qty	Description
1	63916	1	Cross Mount (67830-1* & 67830-2)	4	67874	1	Formed Plate, DS
	67834	1	Cross Mount (67830**)	5	67875	1	Formed Plate, PS
2	27972	1	Mount, DS (67830-2)	6	67774	1	Bar, Cross w/Name Plate
	63914	1	Mount, DS (67830-1*)	7	61652	2	Nut Bar, DS
	67829	1	Mount, DS (67830**)	8	61653	2	Nut Bar, PS
3	27973	1	Mount, PS (67830-2)	ns	67889	1	Bolt Bag – 67830, 67830-1, 67830-2
	63915	1	Mount, PS (67830-1*)	ns	60495	1	Evaporator Bracket
	67832	1	Mount, PS (67830**)				
67889 Bolt Bag – 67830, 67830-1, 67830-2							
9	90210	30	1/2-13 x 1-1/2 Hex Cap Screw G5	16	61874	1	Spacer
10	91105	18	1/2 Flat Washer	ns	61536	4	Cable Tie – Long
11	91335	22	1/2-13 Hex Locknut GB	ns	62313	2	5/32 ID x 3 Convolved Tube
12	63927	6	5/8 Flat Washer Type A Narrow	ns	91332	4	5/16-18 Hex Locknut GB
13	90129	6	5/8-11 x 2 Hex Cap Screw G5	ns	68494	4	5/16-18 x 1 Hex Cap Screw G5
14	91337	6	5/8-11 Hex Locknut GB	ns	90313	4	5/16 Flat Washer
15	91205	8	1/2 Spring Lock Washer				
ns = not shown				G = Grade			
*67830-1 Parts March 2002 to January 2003							
**67830 Parts Prior to March 2002							

Item 17*** 67859 Passenger-Side Receiver Kit ***							
Item	Part	Qty	Description	Item	Part	Qty	Description
19		1	Receiver, PS	21	91965K	1	5/32" Hairpin Cotter
20	67665	1	Pin, Receiver				

Item 18*** 67858 Driver-Side Receiver Kit ***							
Item	Part	Qty	Description	Item	Part	Qty	Description
22		1	Receiver, DS	21	91965K	1	5/32" Hairpin Cotter
20	67665	1	Pin, Receiver				

***** The Receiver Kits are packaged and sold separately. Items in these kits are not included in the Mount Assembly Box, and must be purchased separately.**

Copyright © 2009 Douglas Dynamics, L.L.C. All rights reserved. This material may not be reproduced or copied, in whole or in part, in any printed, mechanical, electronic, film or other distribution and storage media, without the written consent of Western Products. Authorization to photocopy items for internal or personal use by Western Products outlets or snowplow owner is granted.

Western Products reserves the right under its product improvement policy to change construction or design details and furnish equipment when so altered without reference to illustrations or specifications used. Western Products or the vehicle manufacturer may require or recommend optional equipment for snow removal. Do not exceed vehicle ratings with a snowplow. Western Products offers a limited warranty for all snowplows and accessories. See separately printed page for this important information. The following are registered (®) or unregistered (™) trademarks of Douglas Dynamics, L.L.C.: UltraMount®, WESTERN®.

Printed in U.S.A.