

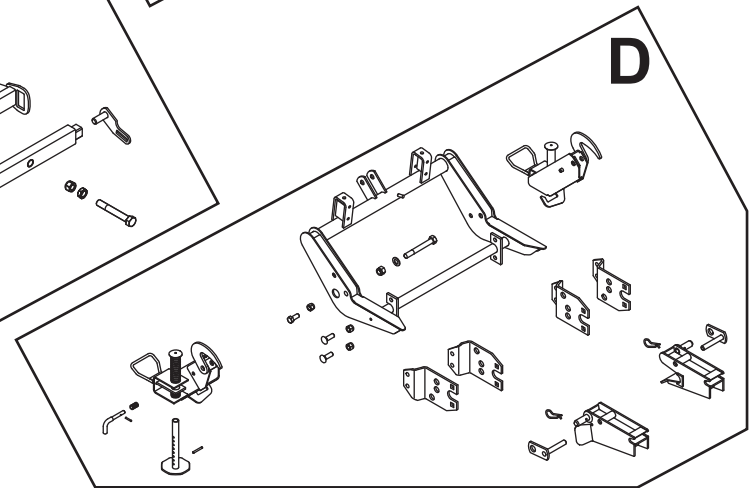
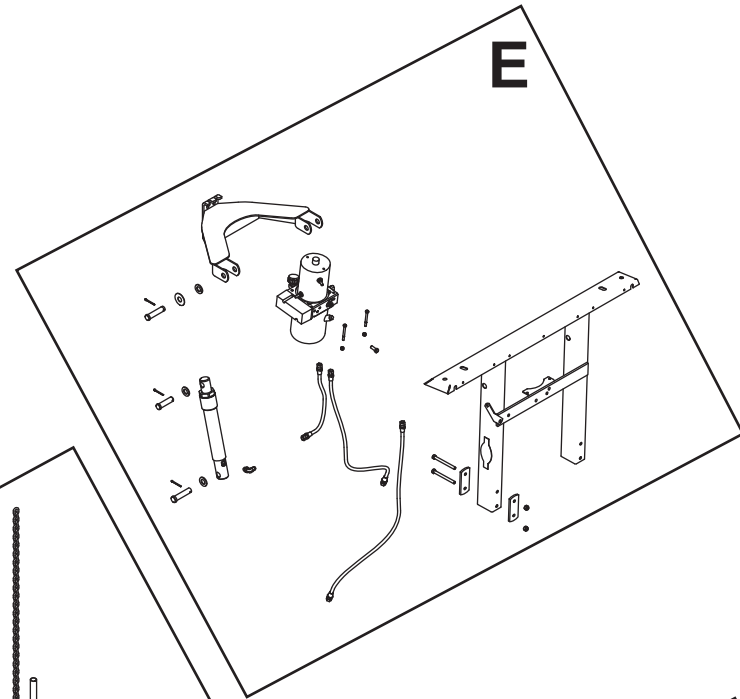
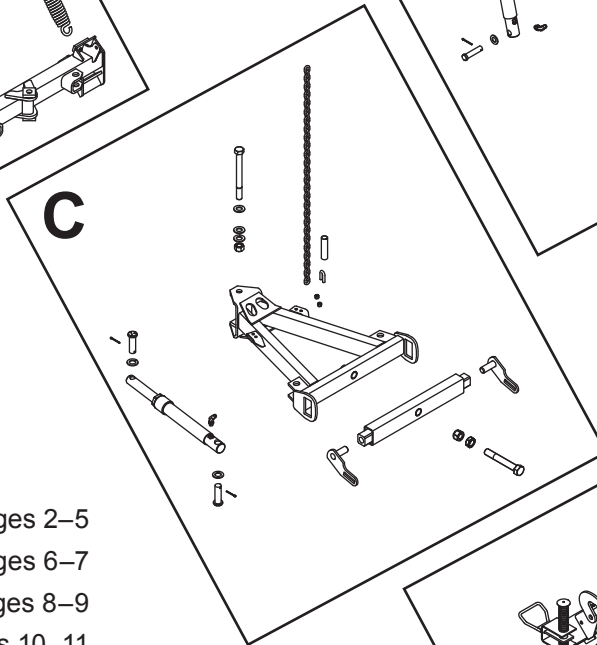
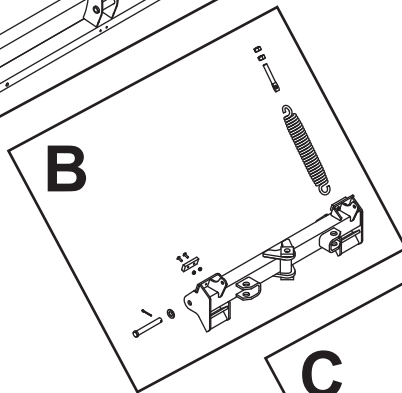
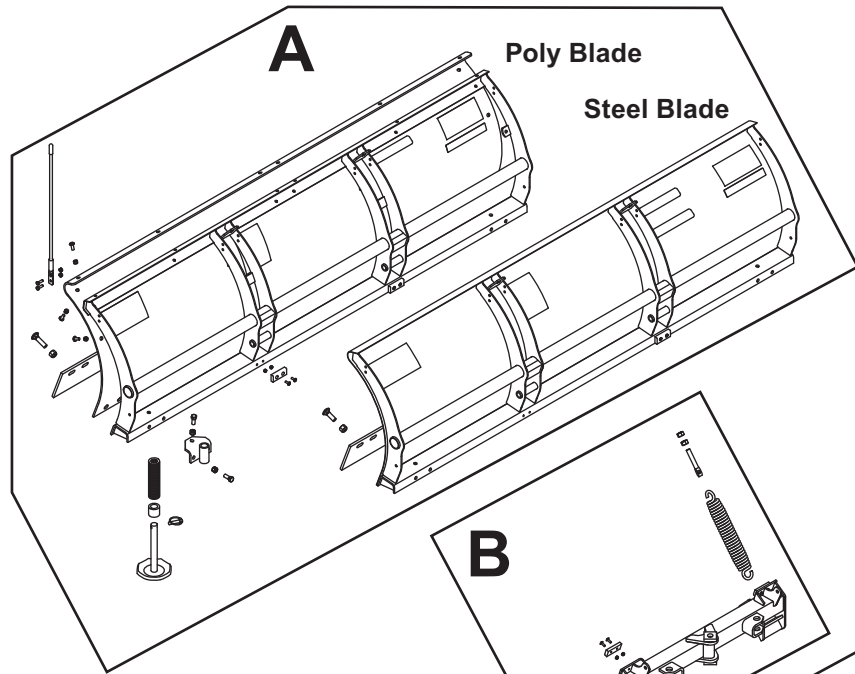


## MIDWEIGHT™ Snowplow

**Poly Blade 64330 and Steel Blade 64340  
A&Q 64336; Lift Frame 67992**

**Parts List**





**A – Blade Components**..... Pages 2–5

**B – Quadrant Components** ..... Pages 6–7

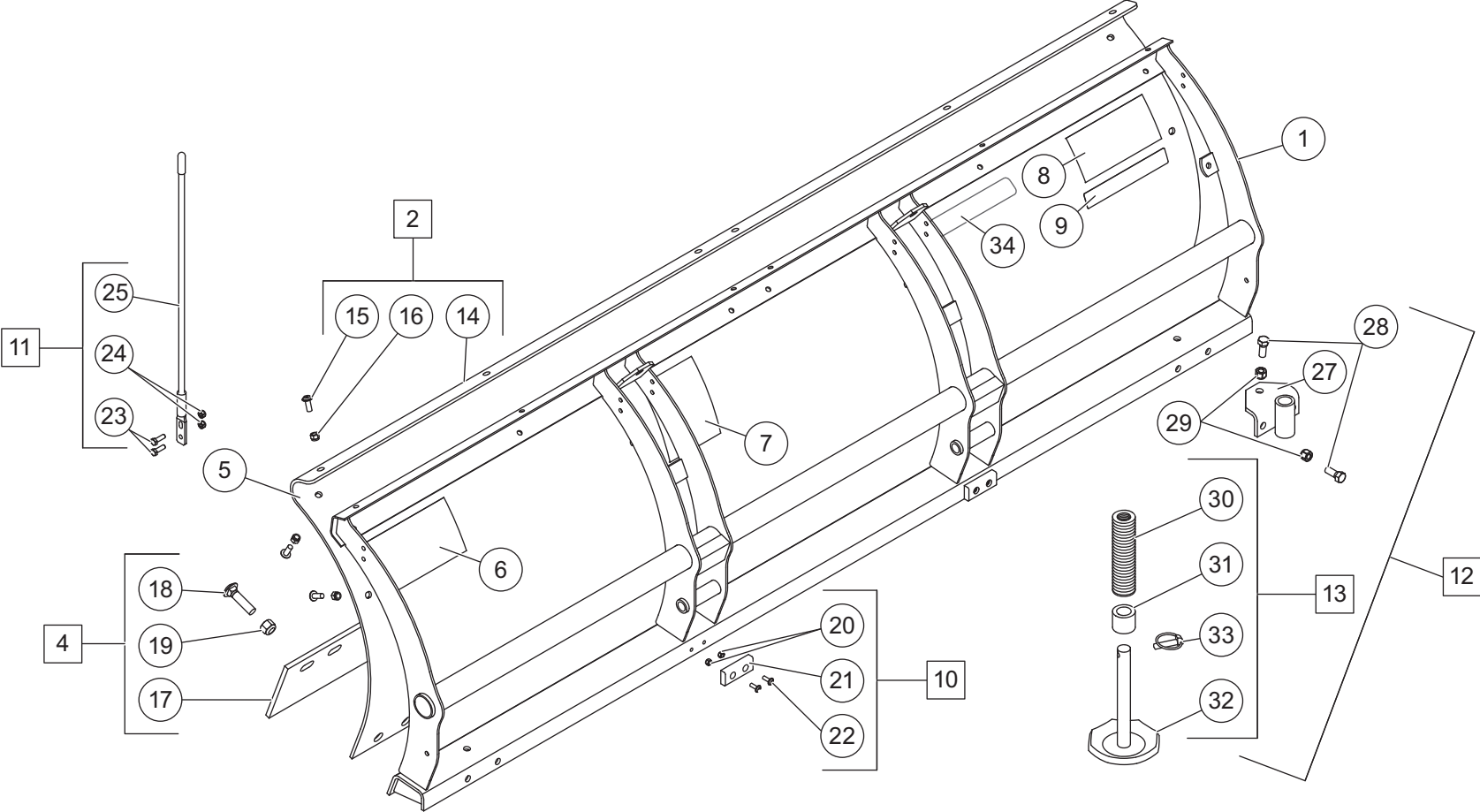
**C – A-Frame Components** ..... Pages 8–9

**D – Lower Lift Frame Components** ..... Pages 10–11

**E – Upper Lift Frame Components**..... Pages 12–13

**F – Non-Retail Components (Not Shown)** ..... Page 14

MIDWEIGHT™ BLADE – POLY



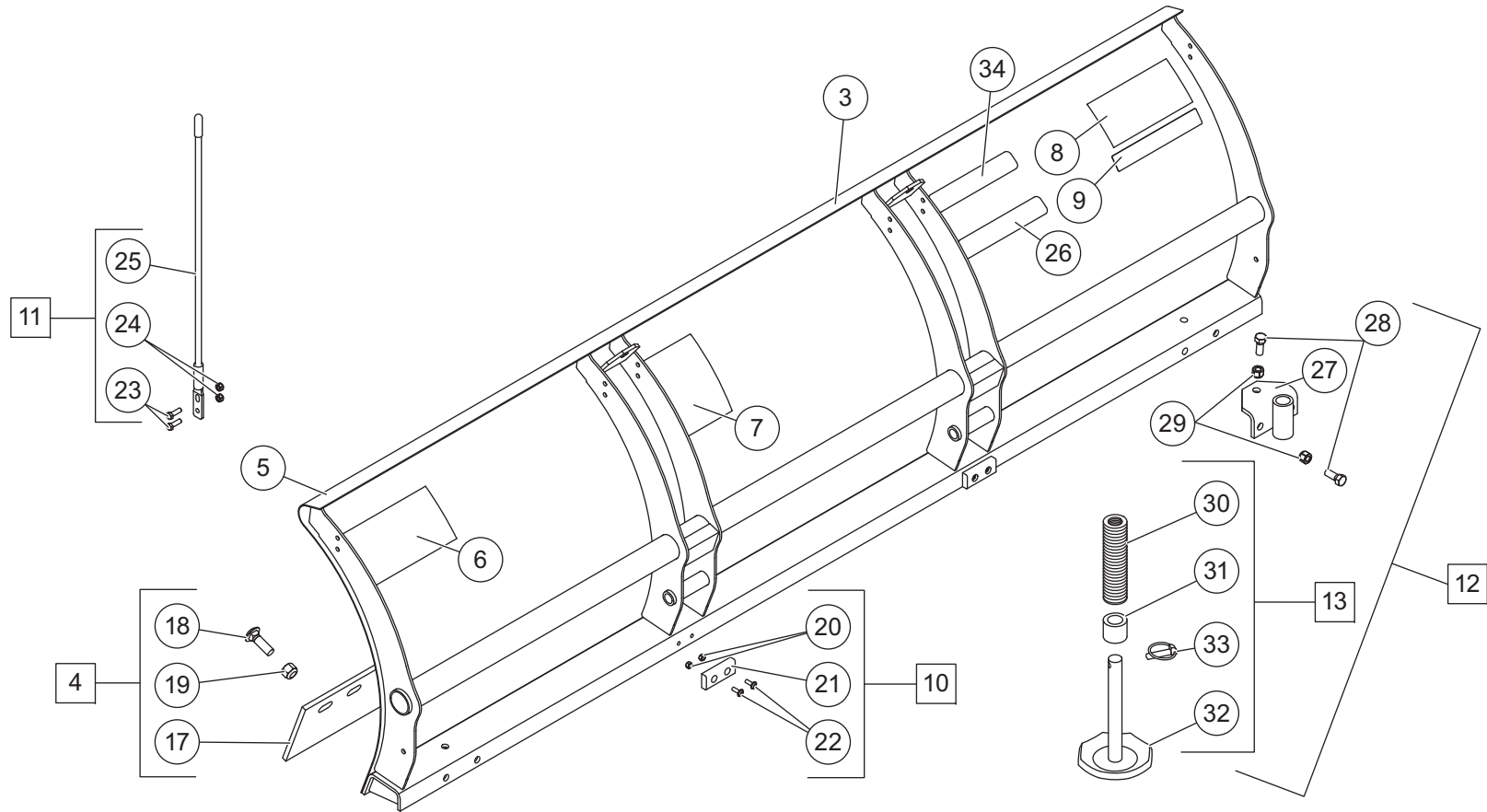
## MIDWEIGHT™ BLADE – POLY

<b>MIDWEIGHT Poly Blade Components</b>		
Item	Part	Description
1	64333	Blade Frame, 7.5' Poly
2	28597	7.5' Moldboard Kit w/Fasteners
4	28594	7.5' Cutting Edge Kit w/Fasteners
5	69489	Label – Identity
6	67796	Label – UltraMount® Attach/Detach
7	59900	Label – Information (Warning)
8	44451	Label – Identity, WESTERN®
9	64630	Label – Size Blade MWY 7.5'
10	63976	Push Stop Kit
11	62265	Blade Guide Kit
12	64392	Shoe Kit (Accessory)
13	49067	Disc Shoe Assy
34	28598	Label – Identity, MIDWEIGHT
ns = not shown		

<b>Item 2                    28597 Moldboard Kit w/Fasteners</b>			
Item	Part	Qty	Description
14		1	Moldboard – 7.5' Poly
15	98043	12	3/8-16 x 1 Button Cap Screw
16	91333	12	3/8-16 Hex Locknut GB
<b>Item 4                    28594 7.5' Cutting Edge Kit w/Fasteners</b>			
17	64760	1	7.5' Cutting Edge
18	5572	10	5/8-11 x 2 Carriage Bolt G5
19	91337	10	5/8-11 Hex Locknut GB
<b>Item 10                    63976 Push Stop Kit</b>			
20		2	14-20 Hex Jam Locknut GB
21		1	Bumper
22		2	14-20 x 3/4 Button Cap Screw
<b>Item 12                    64392 Shoe Kit (Accessory)</b>			
13	49067	2	Disc Shoe Assembly
27	64388	2	Shoe Bracket
28	90575	6	1/2-13 x 1-1/4 Hex Cap Screw G5
29	91335	6	1/2-13 Hex Locknut GB
<b>Item 13                    49067 Disc Shoe Assembly</b>			
30	91192	26	Round Flat Washer – Special
31	60045	1	Spacer
32		1	Disc Shoe
33		1	7/16 x 1-3/4 Linchpin
G = Grade			

Items without part numbers are not available for individual sale.

# MIDWEIGHT™ BLADE – STEEL



## MIDWEIGHT™ BLADE – STEEL

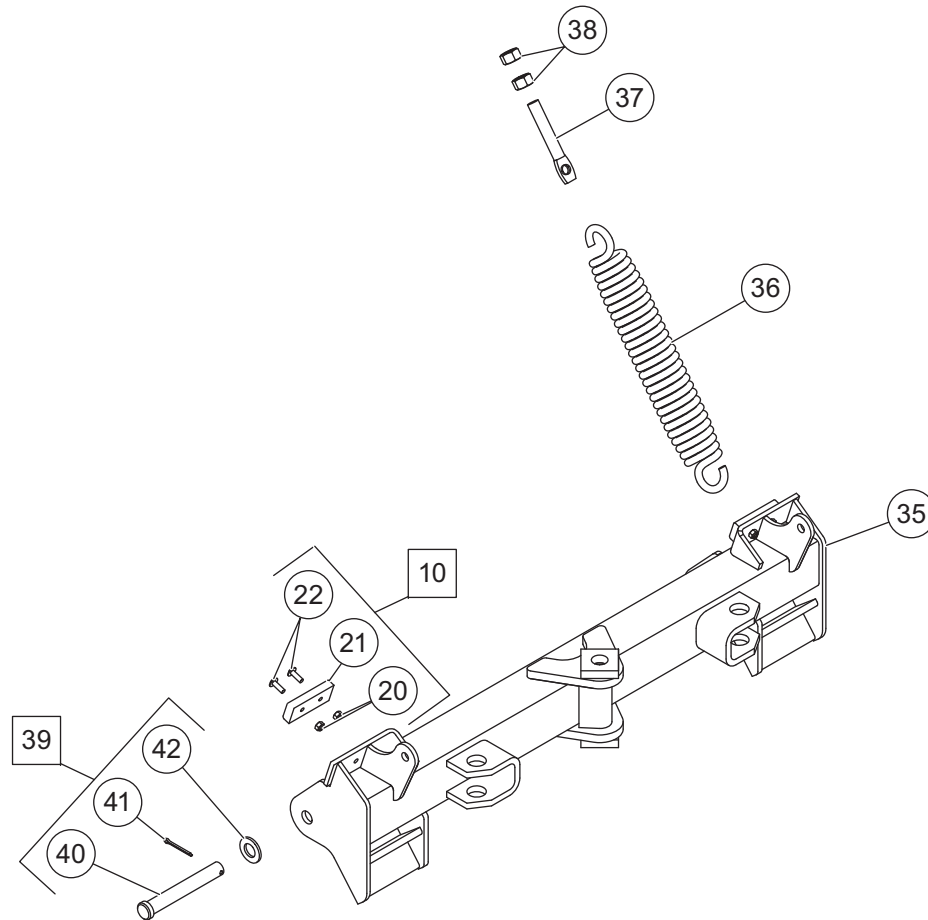
<b>MIDWEIGHT Steel Blade Components</b>		
Item	Part	Description
3	64360	Blade Frame, 7.5' Steel
4	28594	7.5' Cutting Edge Kit w/Fasteners
5	69489	Label – Identity
6	67796	Label – UltraMount® Attach/Detach
7	59900	Label – Information (Warning)
8	44451	Label – Identity, WESTERN®
9	64630	Label – Size Blade MWY 7.5'
10	63976	Push Stop Kit
11	62265	Blade Guide Kit
12	64392	Shoe Kit (Accessory)
13	49067	Disc Shoe Assy
26	28404	Label – Identity, ULTRAFINISH™
34	28598	Label – Identity, MIDWEIGHT
ns = not shown		

<b>Item 4      28594 7.5' Cutting Edge Kit w/Fasteners</b>			
Item	Part	Qty	Description
17	64760	1	7.5' Cutting Edge
18	5572	10	5/8-11 x 2 Carriage Bolt G5
19	91337	10	5/8-11 Hex Locknut GB
<b>Item 10      63976 Push Stop Kit</b>			
20		2	14-20 Hex Jam Locknut GB
21		1	Bumper
22		2	14-20 x 3/4 Button Cap Screw
<b>Item 11      62265 Blade Guide Kit</b>			
23	68494	4	5/16-18 x 1 Hex Cap Screw G5
24	91332	4	5/16-18 Hex Locknut GB
25	62263	2	Blade Guide, Poly
<b>Item 12      64392 Shoe Kit (Accessory)</b>			
13	49067	2	Disc Shoe Assembly
27	64388	2	Shoe Bracket
28	90575	6	1/2-13 x 1-1/4 Hex Cap Screw G5
29	91335	6	1/2-13 Hex Locknut GB
<b>Item 13      49067 Disc Shoe Assembly</b>			
30	91192	26	Round Flat Washer – Special
31	60045	1	Spacer
32		1	Disc Shoe
33		1	7/16 x 1-3/4 Linchpin
G = Grade			

Items without part numbers are not available for individual sale.

# MIDWEIGHT™ QUADRANT

---



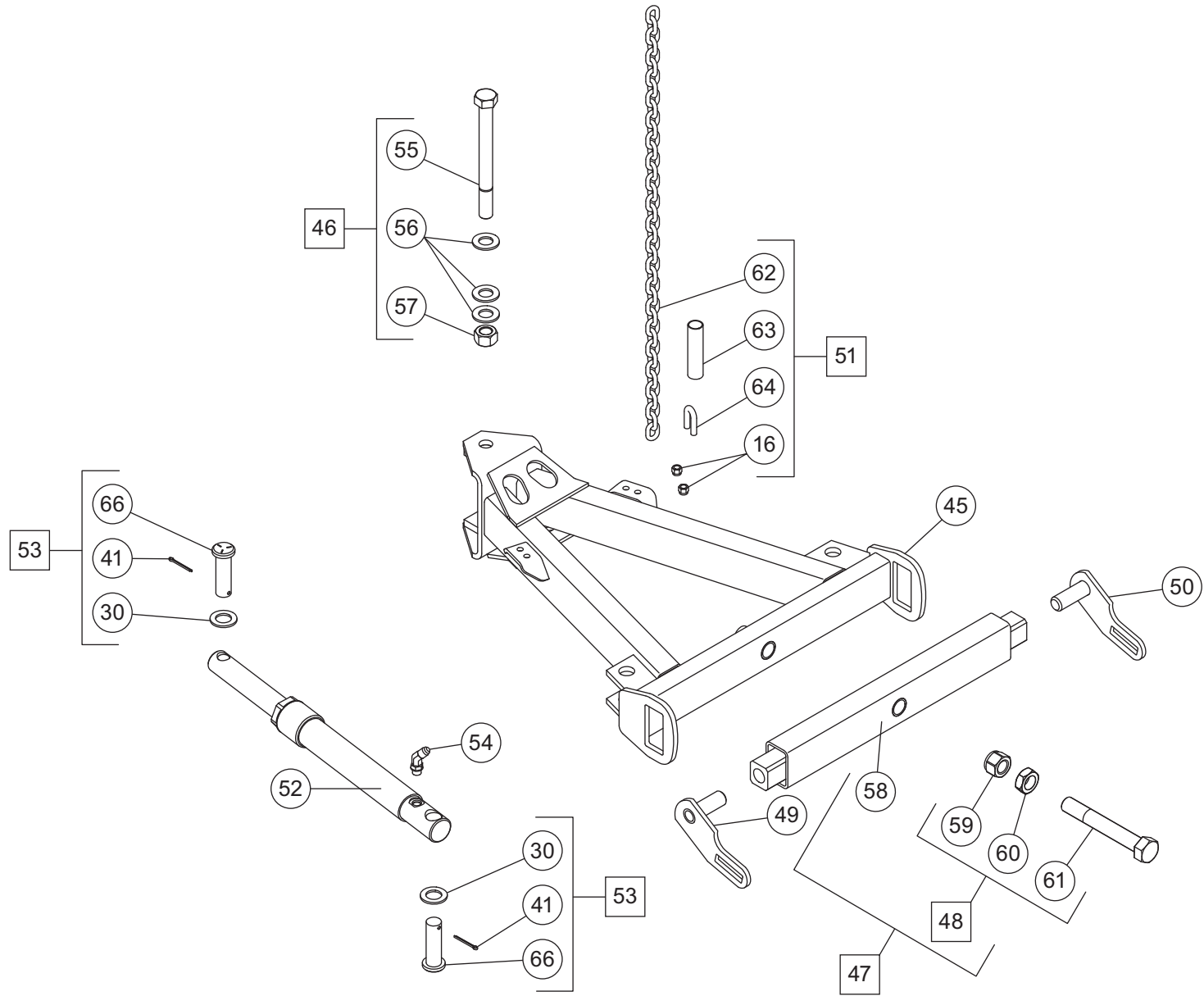
## MIDWEIGHT™ QUADRANT

<b>Quadrant Components</b>		
Item	Part	Description
10	63976	Push Stop Kit
35	28591	Quadrant UT MIDWEIGHT
36	23039	Trip Spring
37	90490	5/8-11 x 4 Eyebolt G2
38	91416	5/8-11 Hex Nut G5
39	28593	Clevis Pin Kit, 3/4 x 5-3/8
G = Grade		

<b>Item 10                      63976 Push Stop Kit</b>			
Item	Part	Qty	Description
20		2	1/4-20 Hex Jam Locknut GB
21		1	Bumper
22		2	1/4-20 x 3/4 Button Cap Screw
<b>Item 39                      28593 Clevis Pin Kit, 3/4 x 5-3/8</b>			
40		1	3/4 x 5-3/8 Clevis Pin
41	91911	1	5/32 x 1-1/2 Cotter Pin
42	91147	1	3/4 Flat Washer
G = Grade			

Items without part numbers are not available for individual sale.

# MIDWEIGHT™ A-FRAME



## MIDWEIGHT™ A-FRAME

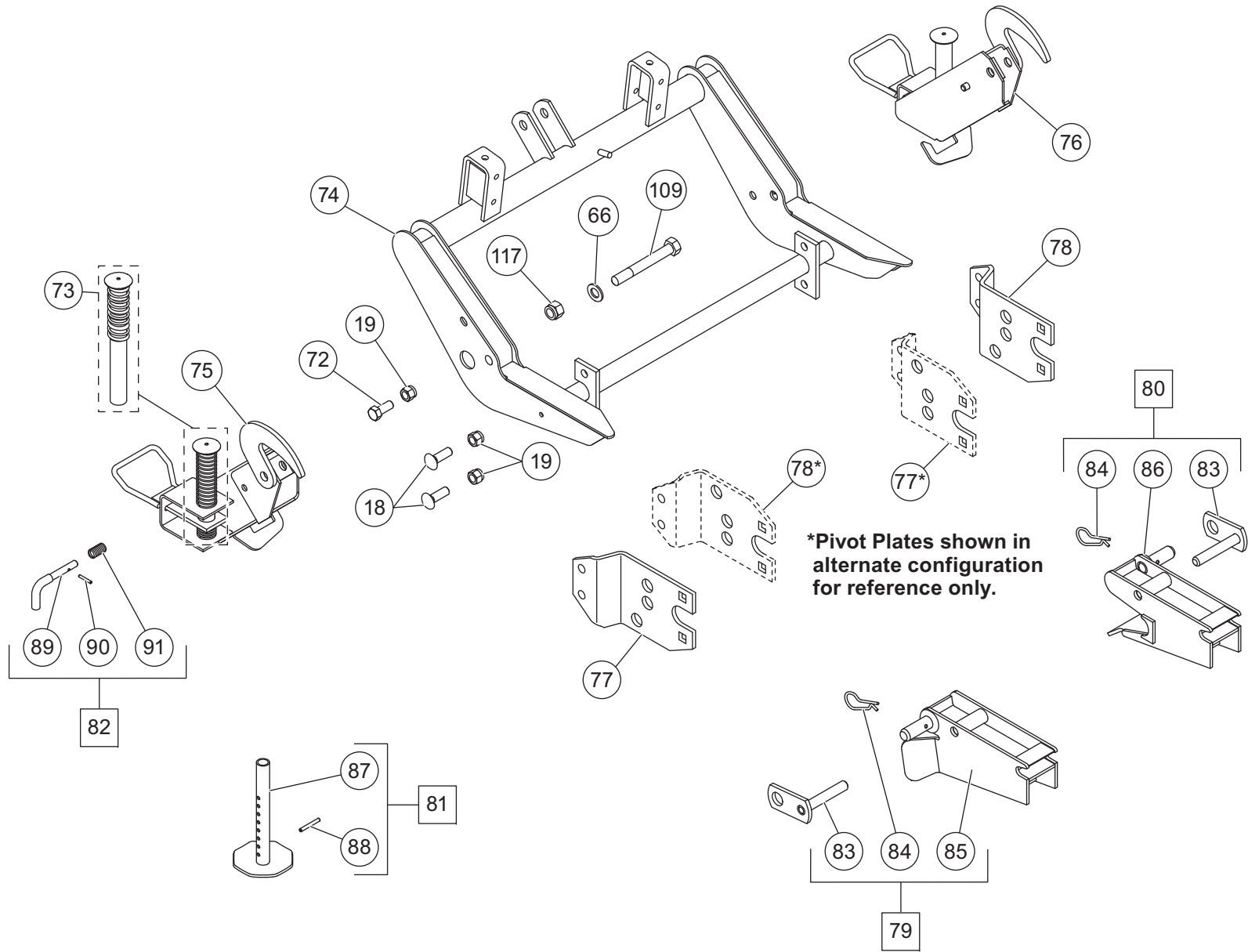
<b>A-Frame Components</b>		
Item	Part	Description
45	28592	A-Frame
46	28590	Pivot Bolt Kit
47	67842	Pivot Bar Kit
48	67855	Pivot Bolt Kit
49	67974	Pivot Pin DS
50	67977	Pivot Pin PS
51	49033	Replacement Chain Assembly
52	64706*	Ram Assembly
53	63973	Ram Pin Kit
54	26694*	Elbow Kit, 45°-6M O-Ring/MJIC

\* For further breakdown of parts, see Hydraulic Parts List

<b>Item 46                      28590 Pivot Bolt Kit</b>			
Item	Part	Qty	Description
55		1	7/8-9 x 9 Hex Cap Screw G8
56	64375	3	7/8 Flat Washer
57	64363	1	7/8-9 Hex Locknut GB
<b>Item 47                      67842 Pivot Bar Kit</b>			
48	67855	1	Pivot Bolt Kit
58		1	Pivot Bar
<b>Item 48                      67855 Pivot Bolt Kit</b>			
59	91340	1	1-8 Hex Locknut GB
60	67748	1	1-8 Hex Jam Nut G5
61	67552	1	1-8 x 7 Hex Cap Screw G5
<b>Item 51                      49033 Replacement Chain Assembly</b>			
16	91333	2	3/8-16 Hex Locknut GB
62		1	1/4 x 35 Chain
63	65508	1	Plastic Tube
64	90496	1	3/8-16 x 1-1/2 U-Bolt
<b>Item 53                      63973 Ram Pin Kit</b>			
30	91192	1	Round Flat Washer – Special
41	91911	1	5/32 x 1-1/2 Cotter Pin
66	93074	1	1 x 3-1/4 Clevis Pin
G = Grade			

Items without part numbers are not available for individual sale.

# MIDWEIGHT™ LOWER LIFT FRAME



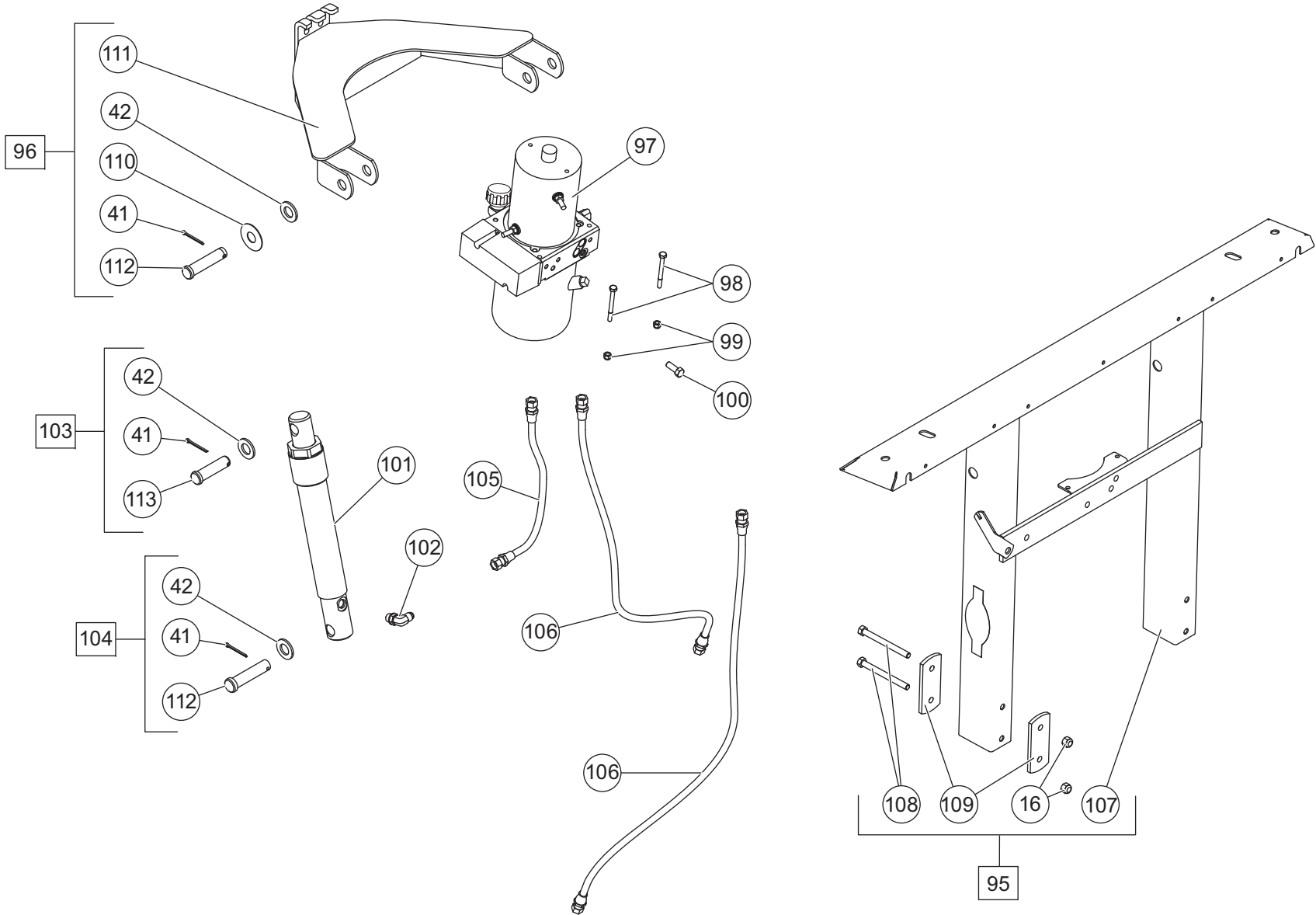
## MIDWEIGHT™ LOWER LIFT FRAME

Lower Lift Frame Components		
Item	Part	Description
18	5572	5/8-11 x 2 Carriage Bolt G5
19	91337	5/8-11 Hex Locknut GB
42	91147	3/4 Flat Washer
70	66451	3/4-10 x 6 Hex Cap Screw G5
71	91338	3/4-10 Hex Locknut GB
72	90127	5/8-11 x 1-1/2 Hex Cap Screw G5
73	48523	Plunger w/ Spring
74	67903	Lift Frame, Lower
75	67845	Stand Assembly DS
76	67846	Stand Assembly PS
77	64378	Pivot Plate A
78	64379	Pivot Plate B
79	67858	Receiver Kit DS
80	67859	Receiver Kit PS
81	67847	Stand Shoe Kit
82	67844	Stand Lock Pin Kit
G = Grade		

Item 79                      67858 Receiver Kit DS			
Item	Part	Qty	Description
83	67665	1	Pin, Receiver
84	91965K	1	5/32" Hairpin Cotter
85		1	Receiver DS
Item 80                      67859 Receiver Kit PS			
83	67665	1	Pin, Receiver
84	91965K	1	5/32" Hairpin Cotter
86		1	Receiver PS
Item 81                      67847 Stand Shoe Kit			
87		1	Stand Shoe
88	67635	1	1/4 x 2 Roll Pin
Item 82                      67844 Stand Lock Pin Kit			
89		1	Lock Pin
90	67700	1	3/16 x 1-1/4 Roll Pin
91	67726	1	Spring, Lock Pin, Stand

Items without part numbers are not available for individual sale.

# UPPER LIFT FRAME



## UPPER LIFT FRAME

Upper Lift Frame Components		
Item	Part	Description
95	67853-1	Upper Lift Frame Kit
96	67850-1	Lift Arm Kit
97	56544*	Hydraulic Unit – FloStat®
98	90010	1/4-20 x 2-3/4 Hex Cap Screw G5
99	91331	1/4-20 Hex Locknut GB
100	90039	3/8-16 x 1 Hex Cap Screw G5
101	56538K*	1-1/2 x 8 Ram Assy Kit
102	56615*	Elbow Kit, 90°–6M O-Ring/MJIC
103	64617	3/4 x 3 Clevis Pin Kit
104	93063K	3/4 x 3-1/4 Clevis Pin Kit
105	56617	Hose Kit, 1/4 x 16 w/FJIC Ends
106	64625	Hose Kit, 1/4 x 36 w/FJIC Ends
G = Grade		

\*For further breakdown of parts, see Hydraulic Parts List

Item 95      67853-1 Upper Lift Frame Kit			
Item	Part	Qty	Description
16	91333	4	3/8-16 Hex Locknut GB
107	67567	1	Upper Lift Frame
108		4	3/8-16 x 4 Hex Cap Screw G8
109		4	Plate – Upper Lift Frame
Item 96      67850-1 Lift Arm Kit			
41	91911	3	5/32 x 1-1/2 Cotter Pin
42	91147	3	3/4 Flat Washer
110	67727	2	Round Flat Washer – Special
111		1	Lift Arm
112		2	3/4 x 3-1/4 Clevis Pin
113		1	3/4 x 3 Clevis Pin
Item 103      64617 Clevis Pin Kit, 3/4 x 3			
41	91911	3	5/32 x 1-1/2 Cotter Pin
42	91147	3	3/4 Flat Washer
113		1	3/4 x 3 Clevis Pin
Item 104      93063K Clevis Pin Kit, 3/4 x 3-1/4			
41	91911	3	5/32 x 1-1/2 Cotter Pin
42	91147	3	3/4 Flat Washer
112		2	3/4 x 3-1/4 Clevis Pin
G = Grade			

Items without part numbers are not available for individual sale.

## NON-RETAIL COMPONENTS

Non-Retail Components	
Part	Description
64330	7.5' Blade Assy, MIDWEIGHT™, Steel
64340	7.5' Blade Assy, MIDWEIGHT, Poly
64336	A-Frame & Quadrant Assy (AQ&L Box 1 of 2)
64377	Bolt Bag (64336) (See detail at right)
67992	Lift Frame & Stands Assy (AQ&L Box 2 of 2)
67953-2	Bolt Bag (67951-2) (See detail at right)
64620	FloStat® Hydraulic System, 10" Ram

64377 Bolt Bag – 64336 (not shown)			
Item	Part	Qty	Description
18	5572	4	5/8-11 x 2 Carriage Bolt G5
19	91337	6	5/8-11 Hex Locknut GB
30	91192	4	Round Flat Washer – Special
37	90490	2	5/8-11 x 4 Eyebolt G2
38	91416	4	5/8-11 Hex Nut G5
40		2	3/4 x 5-3/8 Clevis Pin
41	91911	6	5/32 x 1-1/2 Cotter Pin
42	91147	2	3/4 Flat Washer
55		1	7/8-9 x 9 Hex Cap Screw G8
56	64375	3	7/8 Flat Washer
57	64363	1	7/8-9 Hex Locknut GB
59	91340	1	1-8 Hex Locknut GB
60	67748	1	1-8 Hex Jam Nut G5
66	93074	4	1 x 3-1/4 Clevis Pin G5
70	90127	2	5/8-11 x 1-1/2 Hex Cap Screw G5
67953-2 Bolt Bag – 67992 (not shown)			
16	91333	4	3/8-16 Hex Locknut GB
41	91911	4	5/32 x 1-1/2 Cotter Pin
42	91147	6	3/4 Flat Washer
70	66451	2	3/4-10 x 6 Hex Cap Screw G5
71	91338	2	3/4-10 Hex Locknut GB
84	91965K	2	5/32" Hairpin Cotter
88	67635	2	1/4 x 2 Roll Pin
108		4	3/8-16 x 4 Hex Cap Screw G8
109		4	Plate – Upper Lift Frame
110	67727	2	Round Flat Washer – Special
112		3	3/4 x 3-1/4 Clevis Pin
113		1	3/4 x 3 Clevis Pin
G = Grade			

Items without part numbers are not available for individual sale.



Western Products  
PO Box 245038  
Milwaukee, WI 53224-9538  
[www.westernplows.com](http://www.westernplows.com)

 **A DIVISION OF DOUGLAS DYNAMICS, L.L.C.**

Copyright © 2010 Douglas Dynamics, L.L.C. All rights reserved. This material may not be reproduced or copied, in whole or in part, in any printed, mechanical, electronic, film or other distribution and storage media, without the written consent of Western Products. Authorization to photocopy items for internal or personal use by Western Products outlets or snowplow owner is granted.

Western Products reserves the right under its product improvement policy to change construction or design details and furnish equipment when so altered without reference to illustrations or specifications used. Western Products or the vehicle manufacturer may require or recommend optional equipment for snow removal. Do not exceed vehicle ratings with a snowplow. Western Products offers a limited warranty for all snowplows and accessories. See separately printed page for this important information. The following are registered (®) or unregistered (™) trademarks of Douglas Dynamics, L.L.C.: FloStat®, MIDWEIGHT™, ULTRAFINISH™, UltraMount® and WESTERN®.

**Printed in U.S.A.**