

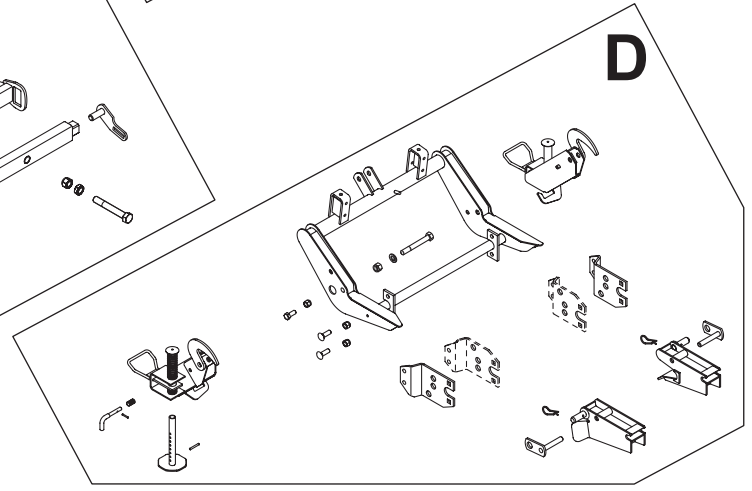
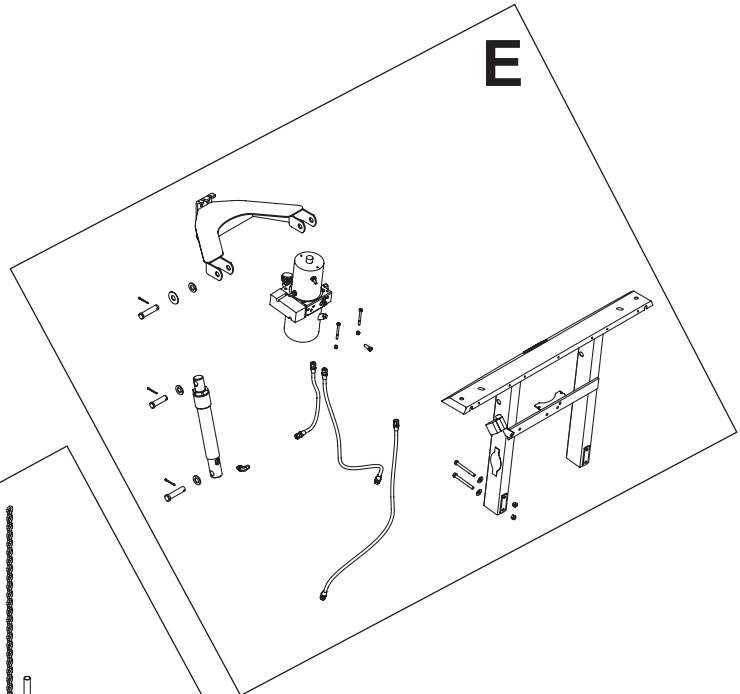
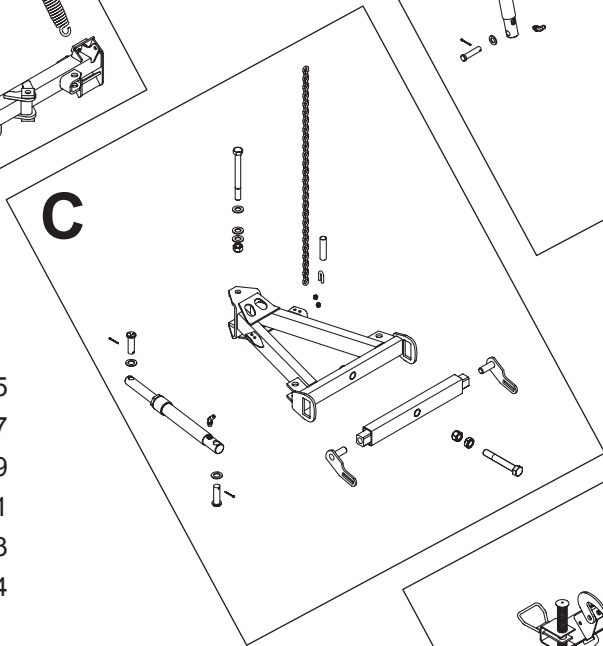
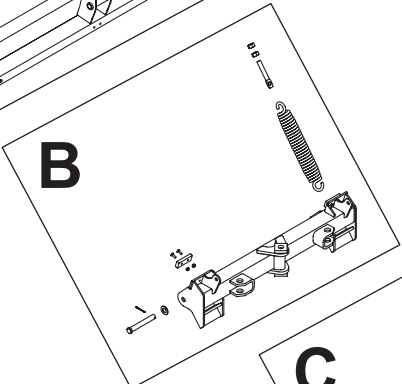
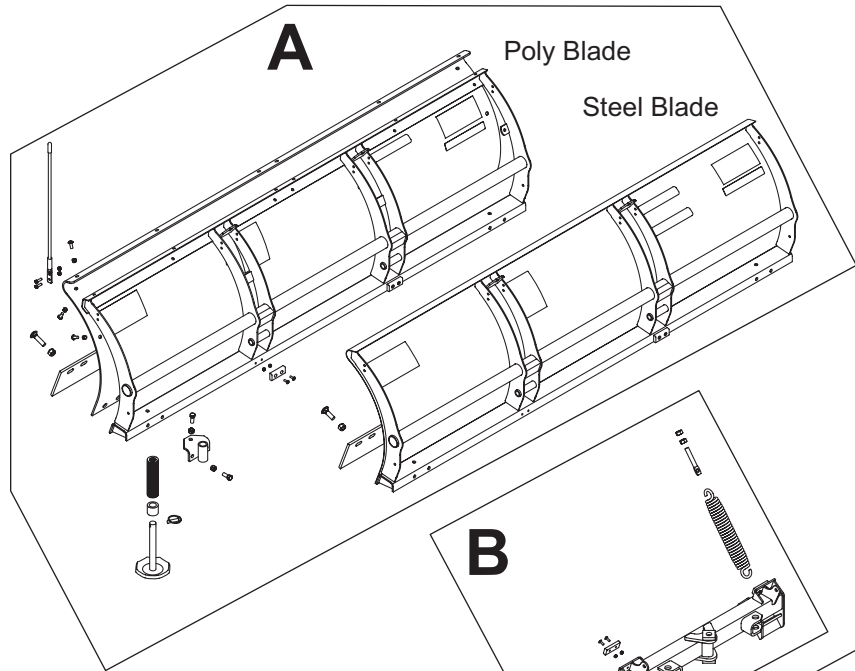


Service Parts for MIDWEIGHT™ Plows



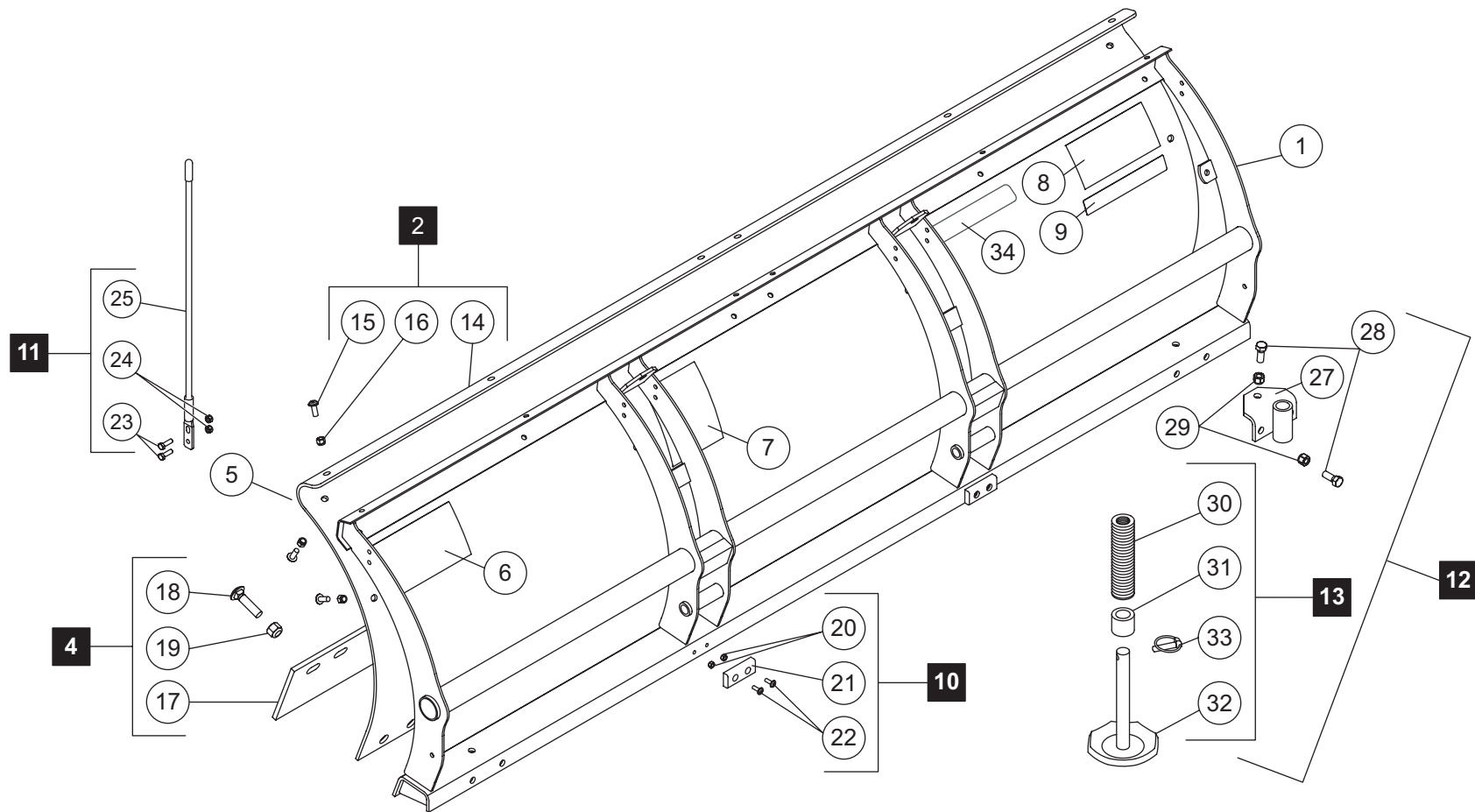
ABBREVIATIONS

AQ&L	A-Frame, Quadrant & Lift Frame
BP	Black Phosphate
DEG	Degree
DS	Driver Side
F	Female
G	Grade
HT	Heat Treated
JIC	Joint Industry Conference
M	Male
PS	Passenger Side
ZYC	Zinc Yellow Chromate



A - Blade Service Parts Pages 2-5
 B - Quadrant Service Parts Pages 6-7
 C - A-Frame Service Parts Pages 8-9
 D - Lower Lift Frame Service Parts Pages 10-11
 E - Upper Lift Frame Service Parts Pages 12-13
 F - Non-Retail Service Parts (Not Shown) Page 14

POLY BLADE SERVICE PARTS



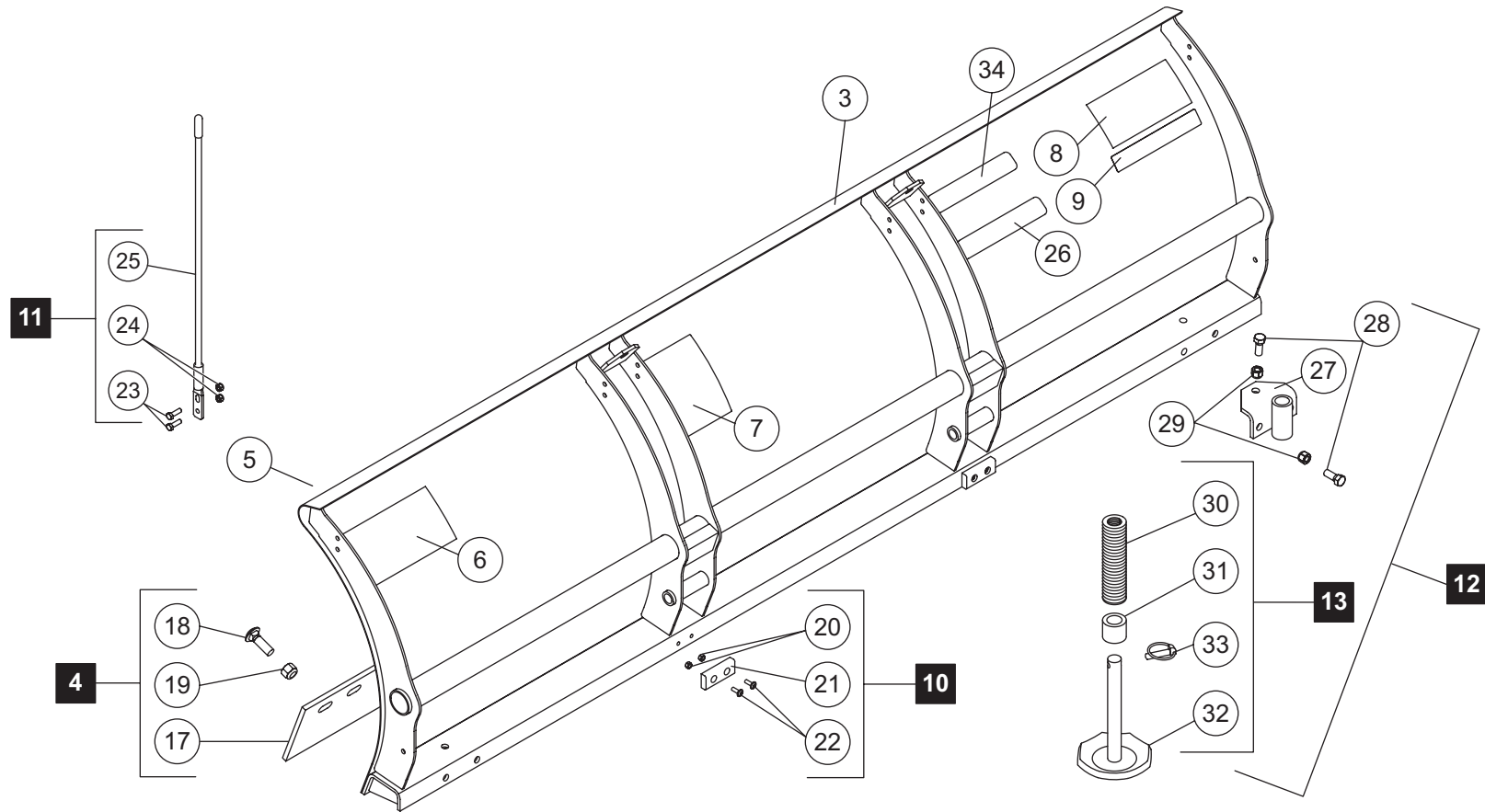
POLY BLADE SERVICE PARTS

POLY BLADE SERVICE PARTS LIST		
Item	Part	Description
1	64333	BLADE FRAME, 7.5 POLY
2	28597	7.5' MOLDBOARD KIT WITH FASTENERS
4	28594	7.5' CUTTING EDGE KIT WITH FASTENERS
5	59756	LABEL – IDENTITY
6	67796	LABEL – INSTRUCTION
7	59900	LABEL – INFORMATION (WARNING)
8	23769	LABEL – IDENTITY (WESTERN®)
9	64630	LABEL – SIZE BLADE MWY 7.5'
10	63976	PUSH STOP KIT
11	62265	BLADE GUIDE KIT
12	64392	SHOE KIT (ACCESSORY)
13	49067	DISC SHOE ASSEMBLY
34	28598	LABEL – IDENTITY, MIDWEIGHT™

Item 2 28597 MOLDBOARD KIT WITH FASTENERS			
Item	Part	Qty	Description
14		1	MOLDBOARD – 7.5' POLY
15	98043	12	3/8-16 X 1 BUTTON CAP SCREW
16	91333	12	3/8-16 HEX LOCKNUT GB
Item 4 28594 7.5' CUTTING EDGE KIT WITH FASTENERS			
17	64760	1	7.5' CUTTING EDGE
18	5572	10	5/8-11 X 2 CARRIAGE BOLT G5
19	91337	10	5/8-11 HEX LOCKNUT GB
Item 10 63976 PUSH STOP KIT			
20		2	14-20 HEX JAM LOCKNUT GB
21		1	BUMPER
22		2	14-20 X 3/4 BUTTON CAP SCREW
Item 11 62265 BLADE GUIDE KIT			
23	68494	4	5/16-18 X 1 HEX CAPSCREW G5
24	91332	4	5/16-18 HEX LOCKNUT GB
25	62263	2	BLADE GUIDE, POLY
Item 12 64392 SHOE KIT (ACCESSORY)			
13	49067	2	DISC SHOE ASSEMBLY
27	64388	2	SHOE BRACKET
28	90575	6	1/2-13 X 1-1/4 HEX CAP SCREW G5
29	91335	6	1/2-13 HEX LOCKNUT GB
Item 13 49067 DISC SHOE ASSEMBLY			
30	91192	26	ROUND FLAT WASHER – SPECIAL
31	60045	1	SPACER
32		1	DISC SHOE
33		1	7/16 X 1-3/4 LINCH PIN ZYC

Items without part numbers are not available for individual sale.
For a list of abbreviations, see inside front cover.

STEEL BLADE SERVICE PARTS



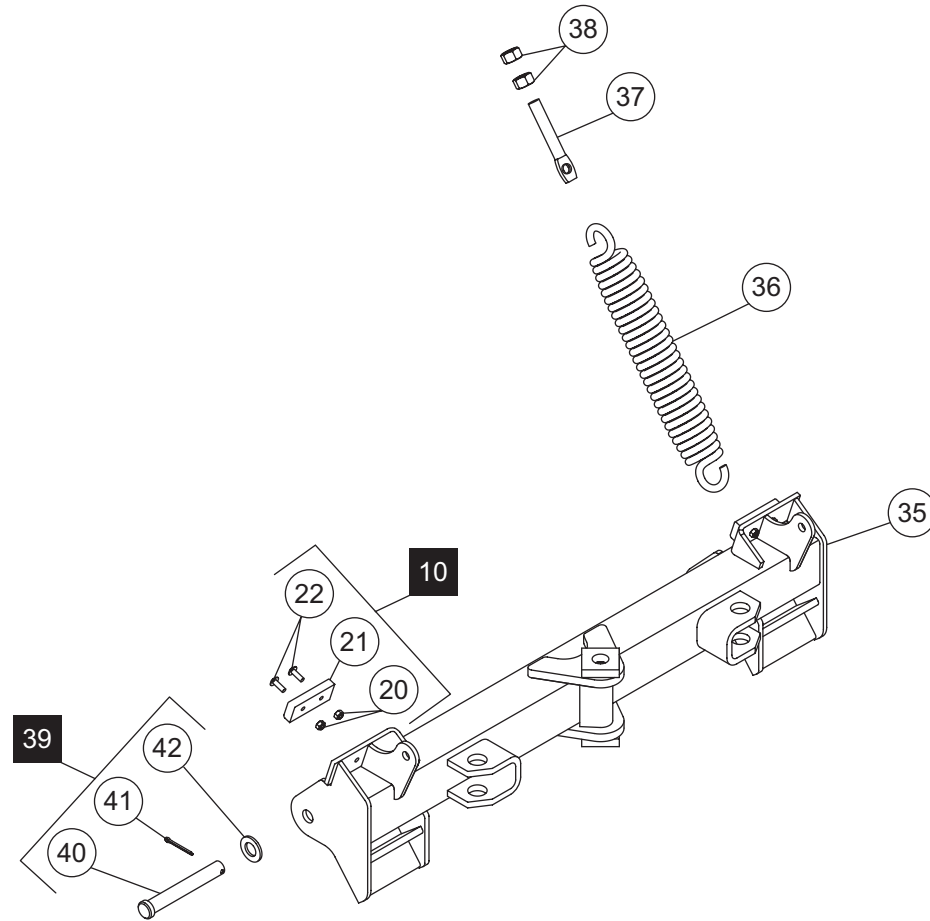
STEEL BLADE SERVICE PARTS

STEEL BLADE SERVICE PARTS LIST		
Item	Part	Description
3	64360	7.5' BLADE
4	28594	7.5' CUTTING EDGE KIT WITH FASTENERS
5	59756	LABEL – IDENTITY
6	67796	LABEL – INSTRUCTION
7	59900	LABEL – INFORMATION (WARNING)
8	23769	LABEL – IDENTITY (WESTERN®)
9	64630	LABEL – SIZE BLADE MWY 7.5'
10	63976	PUSH STOP KIT
11	62265	BLADE GUIDE KIT
12	64392	SHOE KIT (ACCESSORY)
13	49067	DISC SHOE ASSEMBLY
26	28404	LABEL – IDENTITY, ULTRAFINISH™
34	28598	LABEL – IDENTITY, MIDWEIGHT™

Item 4 28594 7.5' CUTTING EDGE KIT WITH FASTENERS			
Item	Part	Qty	Description
17	64760	1	7.5' CUTTING EDGE
18	5572	10	5/8-11 X 2 CARRIAGE BOLT G5
19	91337	10	5/8-11 HEX LOCKNUT GB
Item 10 63976 PUSH STOP KIT			
20		2	14-20 HEX JAM LOCKNUT GB
21		1	BUMPER
22		2	14-20 X 3/4 BUTTON CAP SCREW
Item 11 62265 BLADE GUIDE KIT			
23	68494	4	5/16-18 X 1 HEX CAPSCREW G5
24	91332	4	5/16-18 HEX LOCKNUT GB
25	62263	2	BLADE GUIDE, POLY
Item 12 64392 SHOE KIT (ACCESSORY)			
13	49067	2	DISC SHOE ASSEMBLY
27	64388	2	SHOE BRACKET
28	90575	6	1/2-13 X 1-1/4 HEX CAP SCREW G5
29	91335	6	1/2-13 HEX LOCKNUT GB
Item 13 49067 DISC SHOE ASSEMBLY			
30	91192	26	ROUND FLAT WASHER – SPECIAL
31	60045	1	SPACER
32		1	DISC SHOE
33		1	7/16 X 1-3/4 LINCH PIN ZYC

Items without part numbers are not available for individual sale.
For a list of abbreviations, see inside front cover.

QUADRANT SERVICE PARTS



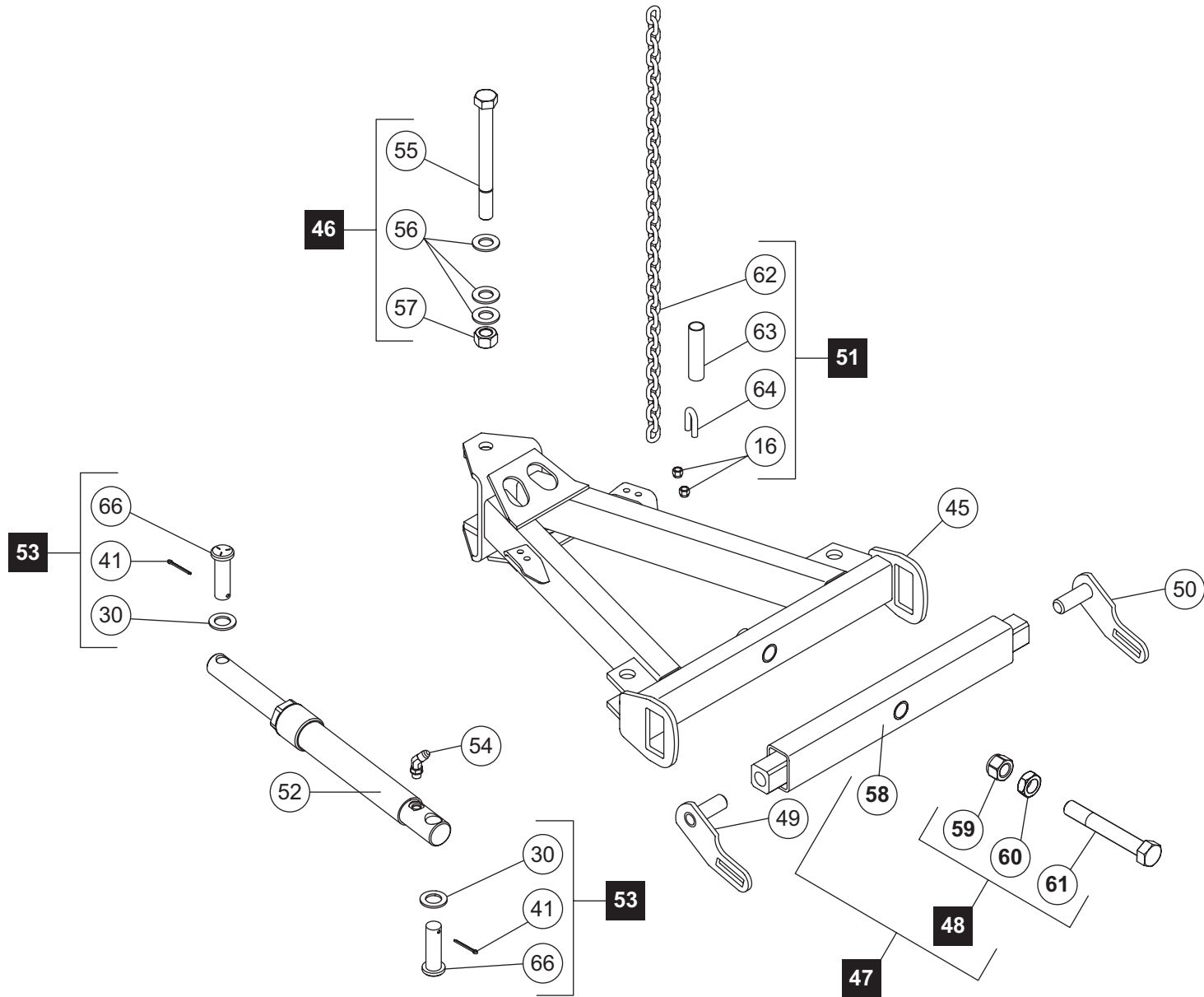
QUADRANT SERVICE PARTS

QUADRANT SERVICE PARTS LIST		
Item	Part	Description
10	63976	PUSH STOP KIT
35	28591	QUADRANT UT MIDWEIGHT™
36	23039	TRIP SPRING
37	90490	5/8-11 X 4 EYEBOLT G2 ZYC
38	91416	5/8-11 HEX NUT G5
39	28593	CLEVIS PIN KIT, 3/4 X 5-3/8 ZYC

Item 10 63976 PUSH STOP KIT			
Item	Part	Qty	Description
20		2	1/4-20 HEX JAM LOCKNUT GB
21		1	BUMPER
22		2	1/4-20 X 3/4 BUTTON CAP SCREW
Item 39 28593 CLEVIS PIN KIT, 3/4 X 5-3/8			
40		1	CLEVIS PIN, 3/4 X 5-3/8 ZYC
41	91911	1	5/32 X 1-1/2 COTTER PIN ZYC
42	91147	1	3/4 FLAT WASHER

Items without part numbers are not available for individual sale.
 For a list of abbreviations, see inside front cover.

A-FRAME SERVICE PARTS



A-FRAME SERVICE PARTS

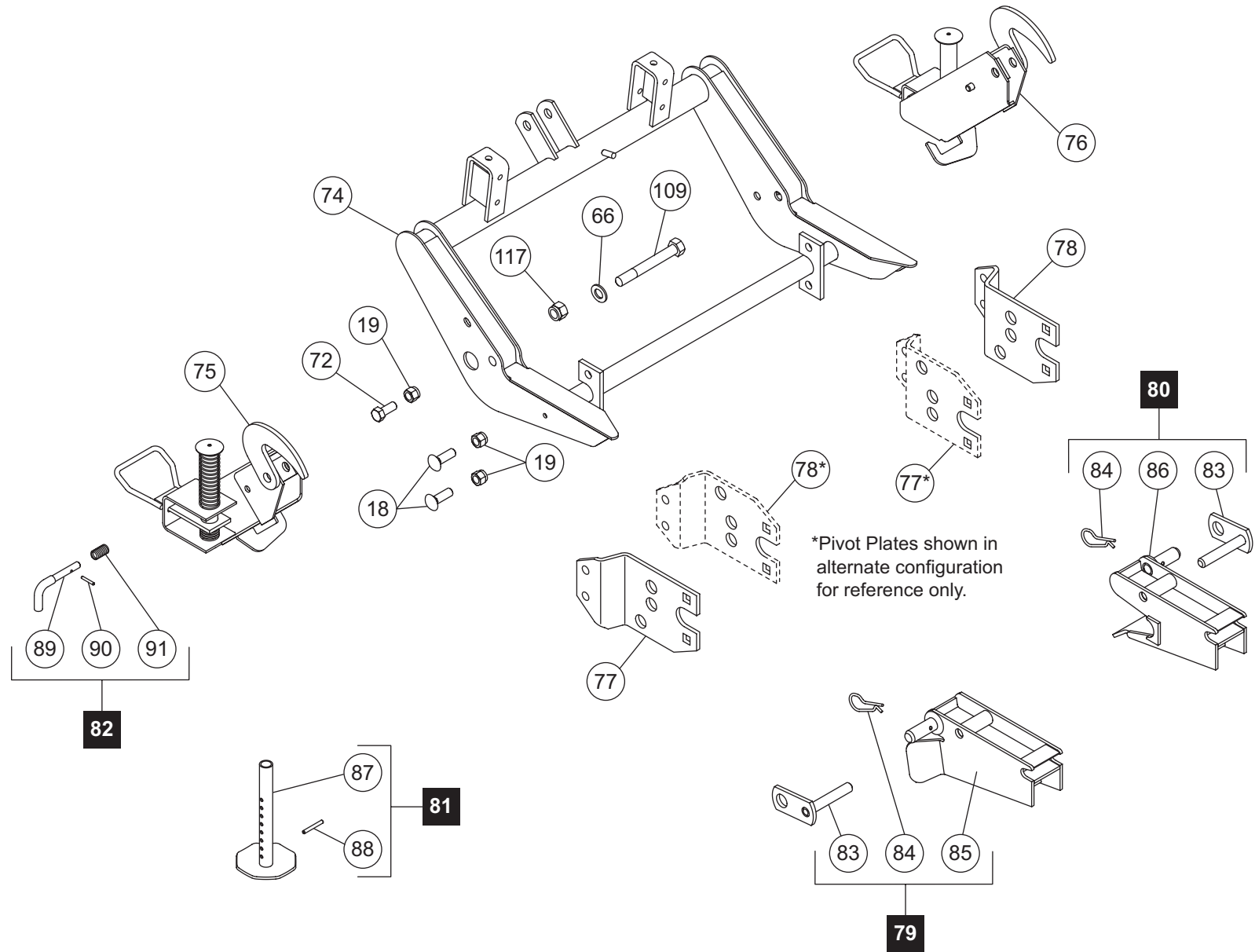
A-FRAME SERVICE PARTS LIST		
Item	Part	Description
45	28592	A-FRAME
46	28590	PIVOT BOLT KIT
47	67842	PIVOT BAR KIT
48	67855	PIVOT BOLT KIT
49	67974	PIVOT PIN DS
50	67977	PIVOT PIN PS
51	49033	REPLACEMENT CHAIN ASSEMBLY
52	64706*	RAM ASSEMBLY
53	63973	RAM PIN KIT
54	26694*	ELBOW KIT, 45 DEG-6 MO-RING/MJIC

* For further breakdown of parts, see Hydraulic Parts List.

Item 46 28590 PIVOT BOLT KIT			
Item	Part	Qty	Description
55		1	7/8-9 X 9 HEX CAP SCREW G8 ZYC
56	64375	3	7/8 FLAT WASHER
57	64363	1	7/8-9 HEX LOCKNUT GB
Item 47 67842 PIVOT BAR KIT			
48	67855	1	PIVOT BOLT KIT
58		1	PIVOT BAR
Item 48 67855 PIVOT BOLT KIT			
59	91340	1	1-8 HEX LOCKNUT GB
60	67748	1	1-8 HEX JAM NUT G5
61	67552	1	1-8 X 7 HEX CAP SCREW G5
Item 51 49033 REPLACEMENT CHAIN ASSEMBLY			
16	91333	2	3/8-16 HEX LOCKNUT GB
62		1	CHAIN 1/4 X 35 ZYC
63	65508	1	PLASTIC TUBE
64	90496	1	3/8-16 X 1-1/2 U-BOLT ZYC
Item 53 63973 RAM PIN KIT			
30	91192	1	ROUND FLAT WASHER – SPECIAL
41	91911	1	5/32 X 1-1/2 COTTER PIN ZYC
66	93074	1	CLEVIS PIN 1 X 3-1/4 G5 ZYC

Items without part numbers are not available for individual sale.
For a list of abbreviations, see inside front cover.

LOWER LIFT FRAME SERVICE PARTS



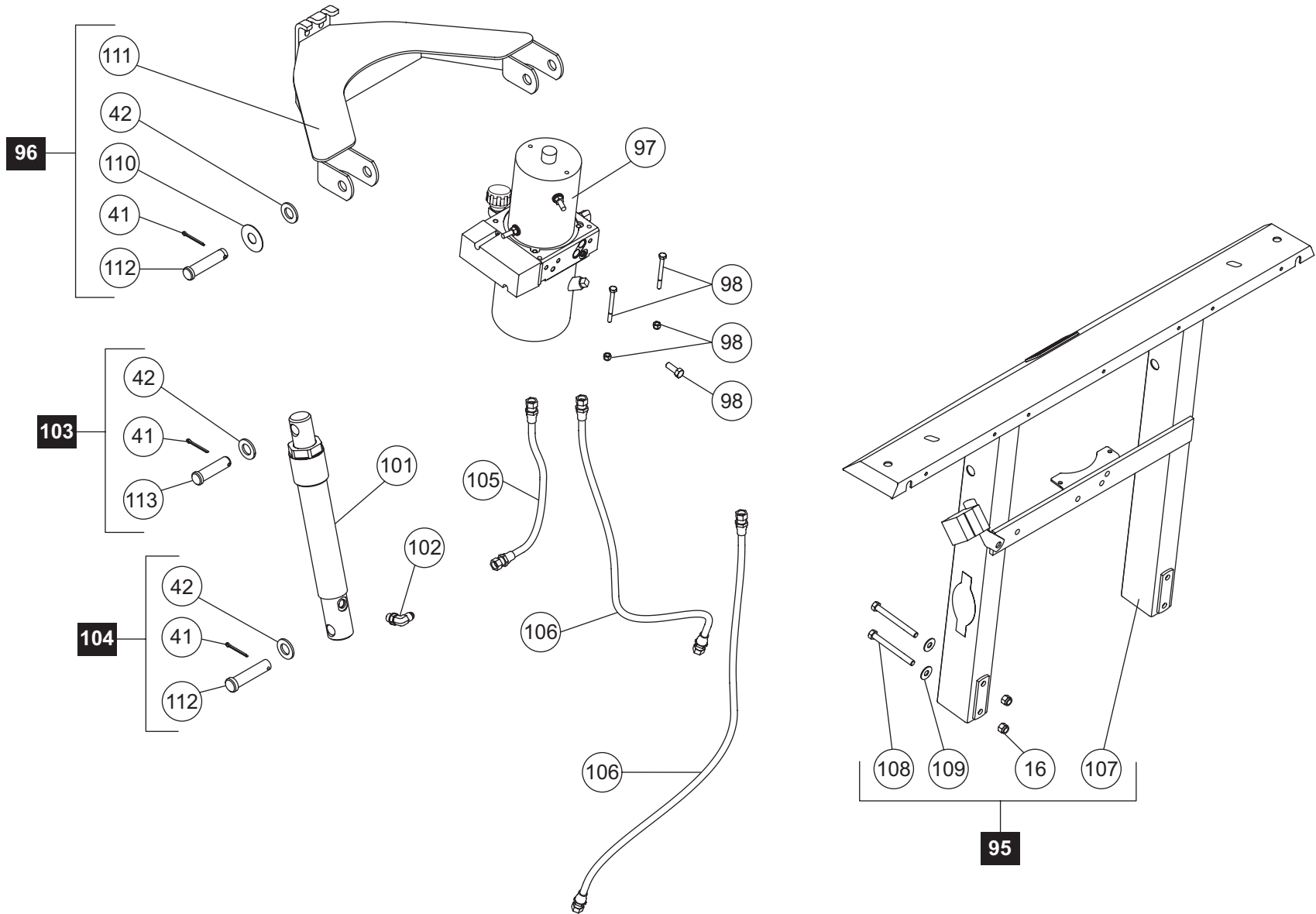
LOWER LIFT FRAME SERVICE PARTS

LOWER LIFT FRAME SERVICE PARTS LIST		
Item	Part	Description
18	5572	5/8-11 X 2 CARRIAGE BOLT G5
19	91337	5/8-11 HEX LOCKNUT GB
42	91147	3/4 FLAT WASHER
70	66451	3/4-10 X 6 HEX CAP SCREW G5
71	91338	3/4-10 HEX LOCKNUT GB
72	90127	5/8-11 X 1-1/2 HEX CAP SCREW G5
74	67903	LIFT FRAME, LOWER
75	67845	STAND ASSEMBLY DS
76	67846	STAND ASSEMBLY PS
77	64378	PIVOT PLATE A
78	64379	PIVOT PLATE B
79	67858	RECEIVER KIT DS
80	67859	RECEIVER KIT PS
81	67847	STAND SHOE KIT
82	67844	STAND LOCK PIN KIT

Item 79 67858 RECEIVER KIT DS			
Item	Part	Qty	Description
83	67665	1	PIN, RECEIVER
84	91965K	1	5/32 HAIRPIN COTTER
85		1	RECEIVER DS
Item 80 67859 RECEIVER KIT PS			
83	67665	1	PIN, RECEIVER
84	91965K	1	5/32 HAIRPIN COTTER
86		1	RECEIVER PS
Item 81 67847 STAND SHOE KIT			
87		1	STAND SHOE
88	67635	1	1/4 X 2 ROLL PIN BP
Item 82 67844 STAND LOCK PIN KIT			
89		1	LOCK PIN
90	67700	1	3/16 X 1-1/4 ROLL PIN BP
91	67726	1	SPRING, STAND LOCK PIN

Items without part numbers are not available for individual sale.
For a list of abbreviations, see inside front cover.

UPPER LIFT FRAME SERVICE PARTS



UPPER LIFT FRAME SERVICE PARTS

UPPER LIFT FRAME SERVICE PARTS LIST		
Item	Part	Description
95	67853	UPPER LIFT FRAME KIT
96	67850-1	LIFT ARM KIT
97	56544*	HYDRAULIC UNIT – FloStat®
98	90010	1/4-20 X 2-3/4 HEX CAP SCREW G5
99	91331	1/4-20 HEX LOCKNUT GB
100	90039	3/8-16 X 1 HEX CAP SCREW G5
101	56538K*	RAM ASSEMBLY 1-1/2 X 8
102	56615*	ELBOW KIT, 90 DEG-6 MO-RING/MJIC
103	64617	CLEVIS PIN KIT 3/4 X 3
104	93063K	CLEVIS PIN KIT 3/4 X 3-1/4
105	56617	HOSE KIT, 1/4 X 16 WITH FJIC ENDS
106	64625	HOSE KIT, 1/4 X 36 WITH FJIC ENDS

* For further breakdown of parts, see Hydraulic Parts List.

Item 95 67853 UPPER LIFT FRAME KIT			
Item	Part	Qty	Description
16	91333	4	3/8-16 HEX LOCKNUT GB
107	67567	1	UPPER LIFT FRAME
108	67764	4	3/8-16 X 3-3/4 HEX CAP SCREW G5
109	90315	4	3/8 FLAT WASHER
Item 96 67850-1 LIFT ARM KIT			
41	91911	3	5/32 X 1-1/2 COTTER PIN ZYC
42	91147	3	3/4 FLAT WASHER
110	67727	2	ROUND FLAT WASHER – SPECIAL
111		1	LIFT ARM
112		2	CLEVIS PIN 3/4 X 3-1/4 ZYC
113		1	CLEVIS PIN 3/4 X 3 HT ZYC
Item 103 64617 CLEVIS PIN KIT 3/4 X 3			
41	91911	3	5/32 X 1-1/2 COTTER PIN ZYC
42	91147	3	3/4 FLAT WASHER
113		1	CLEVIS PIN 3/4 X 3 HT ZYC
Item 104 93063K CLEVIS PIN KIT 3/4 X 3-1/4			
41	91911	3	5/32 X 1-1/2 COTTER PIN ZYC
42	91147	3	3/4 FLAT WASHER
112		2	CLEVIS PIN 3/4 X 3-1/4 ZYC

Items without part numbers are not available for individual sale.
For a list of abbreviations, see inside front cover.

NON-RETAIL SERVICE PARTS

NON-RETAIL SERVICE PARTS LIST	
Part	Description
64330	7.5' BLADE ASSEMBLY, MIDWEIGHT™, STEEL
64340	7.5' BLADE ASSEMBLY, MIDWEIGHT™, POLY
64336	A-FRAME & QUADRANT ASSEMBLY (AQ&L BOX 1 OF 2)
64377	PARTS BAG 64336 (See detail at right.)
67992	LIFT FRAME & STANDS ASSEMBLY (AQ&L BOX 2 OF 2)
67953-1	PARTS BAG 67992 (See detail at right.)
64620	FloStat® HYDRAULIC SYSTEM, 10" RAM

64377 PARTS BAG/64336 (Not Shown)			
Item	Part	Qty	Description
18	5572	4	5/8-11 X 2 CARRIAGE BOLT G5
19	91337	6	5/8-11 HEX LOCKNUT GB
30	91192	4	ROUND FLAT WASHER – SPECIAL
37	90490	2	5/8-11 X 4 EYEBOLT G2 ZYC
38	91416	4	5/8-11 HEX NUT G5
40		2	CLEVIS PIN, 3/4 X 5-3/8 ZYC
41	91911	6	5/32 X 1-1/2 COTTER PIN ZYC
42	91147	2	3/4 FLAT WASHER
55		1	7/8-9 X 9 HEX CAP SCREW G8 ZYC
56	64375	3	7/8 FLAT WASHER
57	64363	1	7/8-9 HEX LOCKNUT GB
59	91340	1	1-8 HEX LOCKNUT GB
60	67748	1	1-8 HEX JAM NUT G5
66	93074	4	CLEVIS PIN 1 X 3-1/4 G5 ZYC
72	90127	2	5/8-11 X 1-1/2 HEX CAP SCREW G5
67953-1 PARTS BAG/67992 (Not Shown)			
16	91333	4	3/8-16 HEX LOCKNUT GB
41	91911	4	5/32 X 1-1/2 COTTER PIN ZYC
42	91147	6	3/4 FLAT WASHER
70	66451	2	3/4-10 X 6 HEX CAP SCREW G5
71	91338	2	3/4-10 HEX LOCKNUT GB
84	91965K	2	5/32 HAIRPIN COTTER
88	67635	2	1/4 X 2 ROLL PIN BP
108	67764	4	3/8-16 X 3-3/4 HEX CAP SCREW G5
109	90315	4	3/8 FLAT WASHER
110	67727	2	ROUND FLAT WASHER – SPECIAL
112		3	CLEVIS PIN 3/4 X 3-1/4 ZYC
113		1	CLEVIS PIN 3/4 X 3 HT ZYC

Items without part numbers are not available for individual sale.
For a list of abbreviations, see inside front cover.



WESTERN PRODUCTS
P.O. BOX 245038
MILWAUKEE, WI 53224-9538

 A DIVISION OF DOUGLAS DYNAMICS, L.L.C.

Copyright © 2005 Douglas Dynamics, L.L.C. All rights reserved. This material may not be reproduced or copied, in whole or in part, in any printed, mechanical, electronic, film or other distribution and storage media, without the written consent of Western Products. Authorization to photocopy items for internal or personal use by Western Products outlets or snowplow owner is granted.

Western Products reserves the right under its product improvement policy to change construction or design details and furnish equipment when so altered without reference to illustrations or specifications used. Western Products and the vehicle manufacturer may require and/or recommend optional equipment for snow removal. Do not exceed vehicle ratings with a snowplow. Western Products offers a limited warranty for all snowplows and accessories. See separately printed page for this important information. The following are registered (®) or unregistered (™) trademarks of Douglas Dynamics, L.L.C: FloStat®, MIDWEIGHT™, ULTRAFINISH™, UltraMount® and WESTERN®.

Printed in U.S.A.