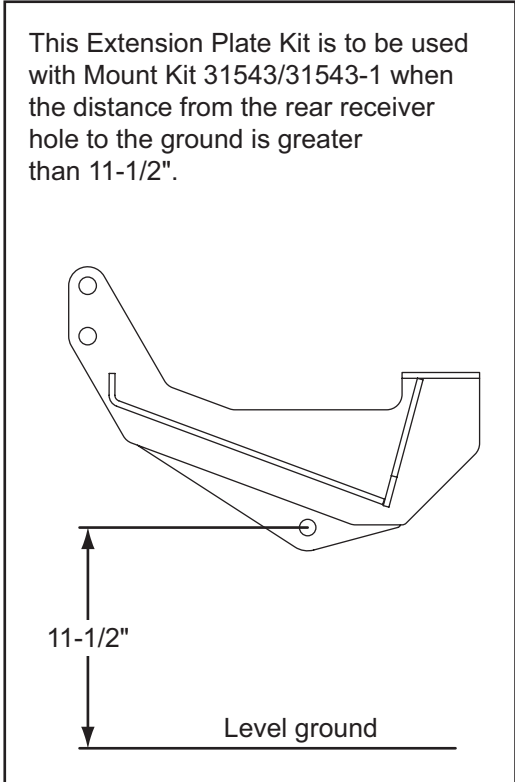
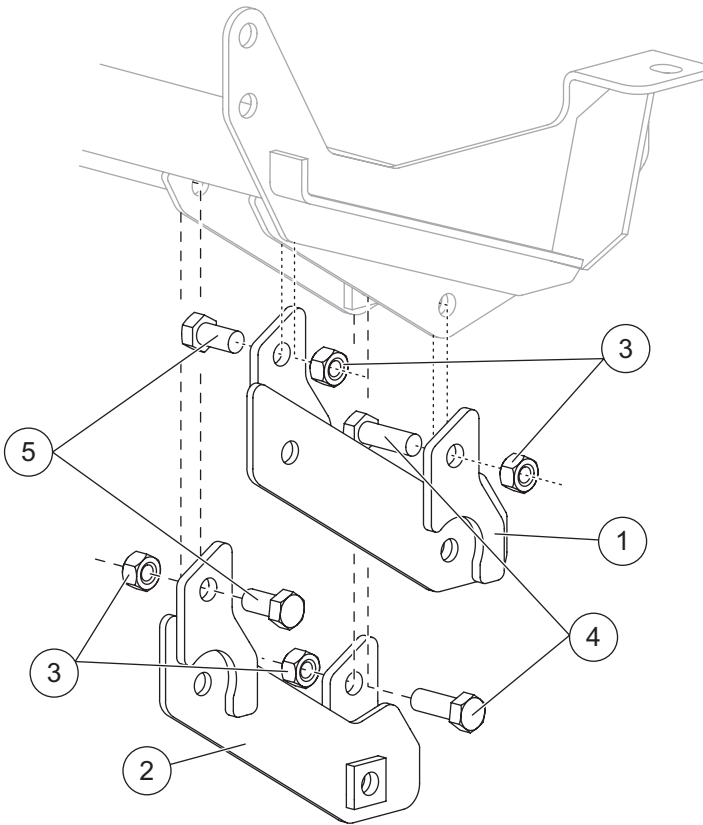


**PARTS LIST**



40734 Extension Plate Kit							
Item	Part	Qty	Description	Item	Part	Qty	Description
1	40730	2	Left Extension Plate	4	90210	4	1/2-13 x 1-1/2 Hex Cap Screw G5
2	40731	2	Right Extension Plate	5	90098	4	1/2-13 x 1 Hex Cap Screw G5
3	90355	8	1/2-13 Hex Locknut GB				
ns = not shown				G = Grade			

**⚠ WARNING**  
Do not exceed GVWR or GAWR, including blade and ballast. The rating label is found on the driver-side vehicle door cornerpost.

**⚠ CAUTION**  
Use standard methods and practices when attaching snowplow and installing accessories including proper personal protective safety equipment.

**⚠ CAUTION**  
Read this document before installing the Extension Plate Kit.

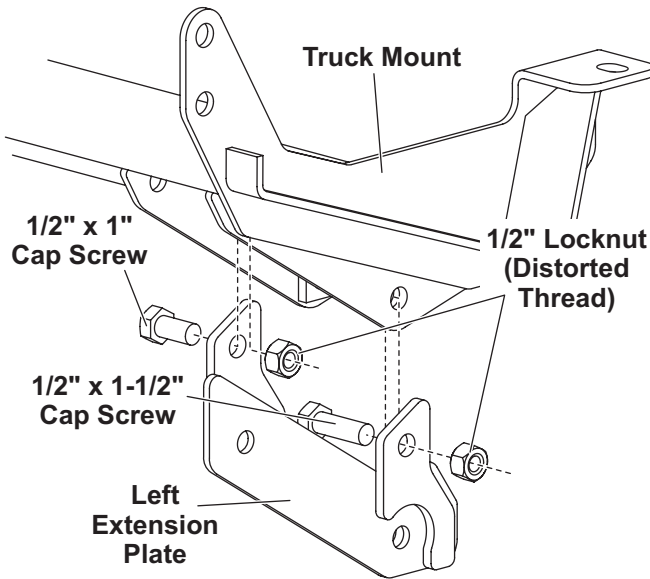
**⚠ CAUTION**  
See your sales outlet for specific vehicle application recommendations before installation. Extension Plate weight information may be found in the Kit Selection Guide/Selection List.

INSTALLATION INSTRUCTIONS

**NOTE: For easier assembly and installation, vehicle and all snowplow components should be on a smooth, level, hard surface, such as concrete.**

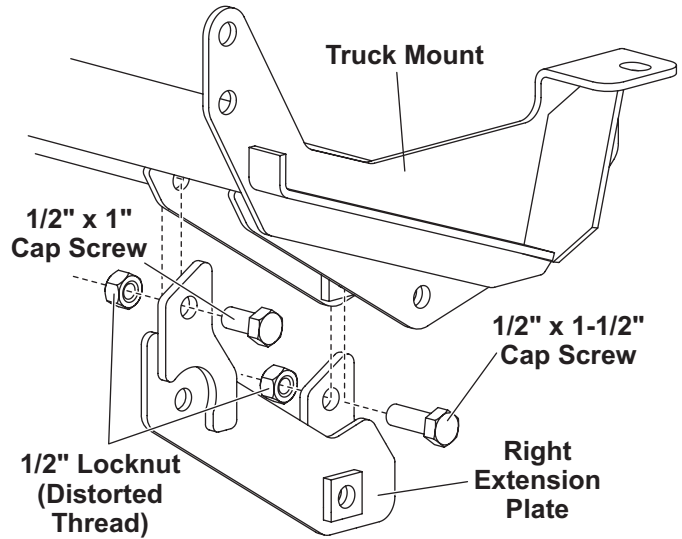
Follow the Mount Kit Installation Instructions until directed to use these Extension Plate Kit Instructions.

1. Position the left extension plate against the driver side of the truck mount as shown. Insert a 1/2" x 1" cap screw through the front extension plate tab and the front receiver hole and secure with a locknut. Then insert a 1/2" x 1-1/2" cap screw through the rear receiver hole and the rear extension plate tab and secure with a locknut.

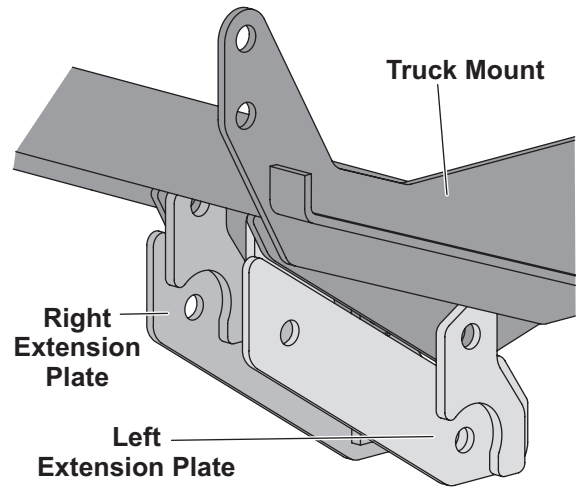


3. Position the right extension plate against the truck mount as shown. Insert a 1/2" x 1" cap screw through the front extension plate tab and the front receiver hole and secure with a locknut. Then insert a 1/2" x 1-1/2" cap screw through the rear

receiver hole and the rear extension plate tab and secure with a locknut.



4. Repeat for the passenger side. Torque all eight fasteners to 75 ft-lb.



5. Return to the instructions included with your mount kit for final installation instructions.

**NOTE: After five to ten hours of snowplow usage, retorque all mount assembly fasteners.**

Copyright © 2008 Douglas Dynamics, L.L.C. All rights reserved. This material may not be reproduced or copied, in whole or in part, in any printed, mechanical, electronic, film or other distribution and storage media, without the written consent of the company. Authorization to photocopy items for internal or personal use by the company's outlets or snowplow owner is granted.

The company reserves the right under its product improvement policy to change construction or design details and furnish equipment when so altered without reference to illustrations or specifications used. This equipment manufacturer or the vehicle manufacturer may require or recommend optional equipment for snow removal. Do not exceed vehicle ratings with a snowplow. The company offers a limited warranty for all snowplows and accessories. See separately printed page for this important information.