



63754

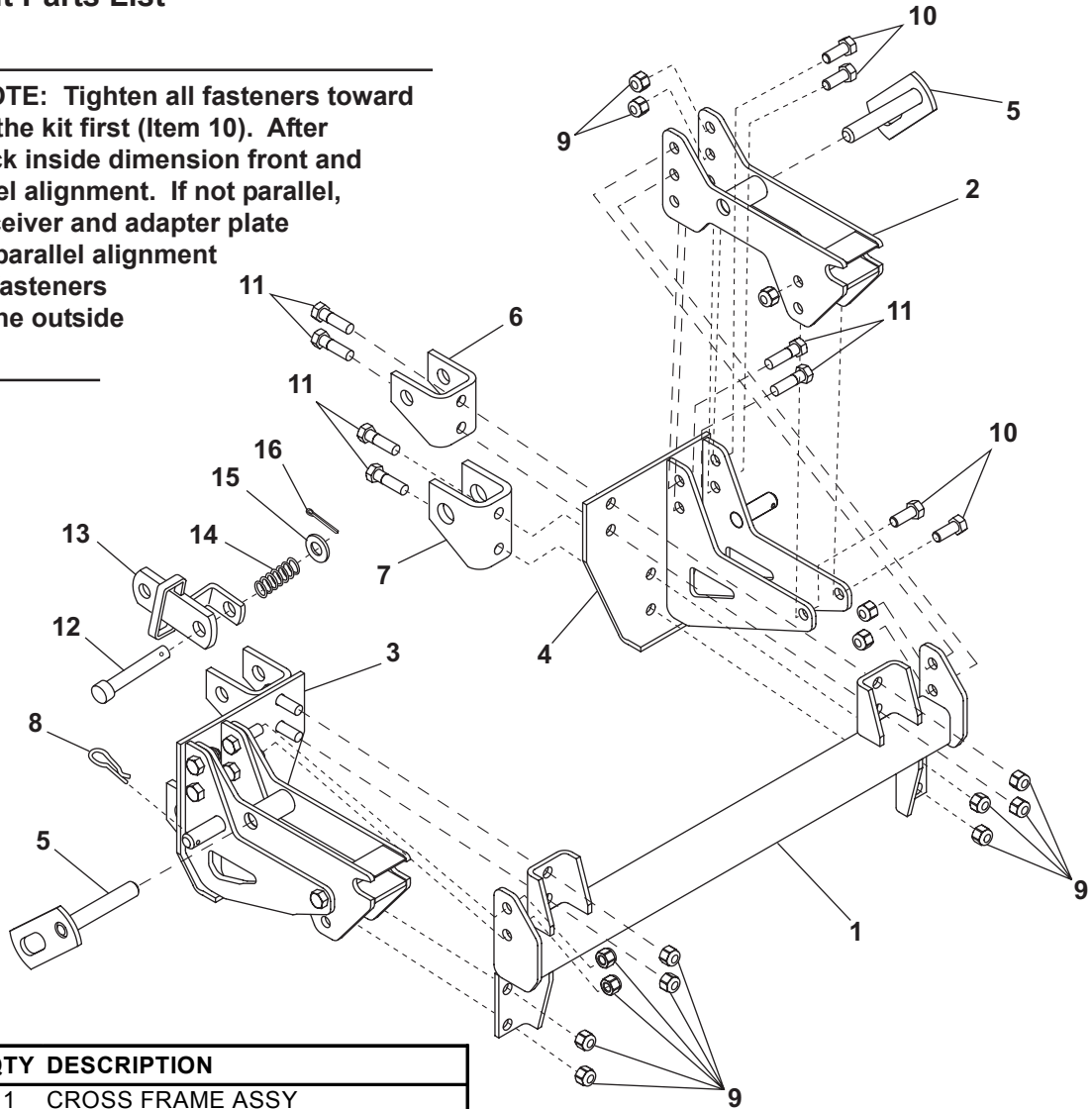
# UniMount® UltraMount® Conversion Kit

WESTERN PRODUCTS, P.O. BOX 245038, MILWAUKEE, WI 53224-9538  
A DIVISION OF DOUGLAS DYNAMICS, L.L.C.

## PARTS LIST ASSEMBLY AND INSTALLATION

### Conversion Kit Parts List

**ASSEMBLY NOTE:** Tighten all fasteners toward the outside of the kit first (Item 10). After assembly check inside dimension front and back for parallel alignment. If not parallel, loosen sub receiver and adapter plate fasteners, set parallel alignment and retighten fasteners starting from the outside (Item 10).



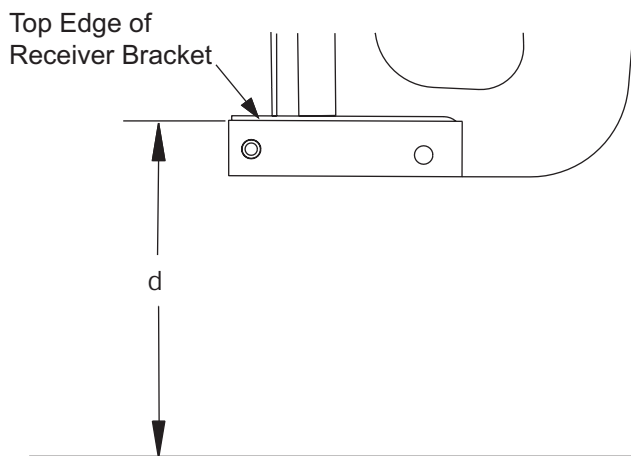
ITEM	PART	QTY	DESCRIPTION
1	63971	1	CROSS FRAME ASSY
2	63793	2	SUB RECEIVER
3	63816	1	ADAPTER PLATE DS
4	63817	1	ADAPTER PLATE PS
5	63851	2	ADAPTER PIN ASSY
6	61916	2	LINK ARM LUG
7	61917	2	COUPLING LUG
8	91965K	2	HAIRPIN COTTER 5/32"
9	91335	20	1/2-13 HEX LOCKNUT GB
10	90210	8	1/2-13 X 1-1/2 HEX CAP SCREW G5
11	90101	12	1/2-13 X 1-3/4 HEX CAP SCREW G5
12	63354	2	CLEVIS PIN 3/4 X 6.00 HT ZYC
13	63497	2	LINK ARM
14	63356	2	SPRING 3/4 ID X 3.00 LG
15	91147	2	3/4 FLAT WASHER
16	91911	2	5/32 X 1-1/2 COTTER PIN ZYC

Abbreviations	
ASSY	Assembly
DS	Driver Side
G	Grade
H	Heat Treated
ID	Inside Diameter
LG	Long
PS	Passenger Side
ZYC	Zinc Yellow Chromate

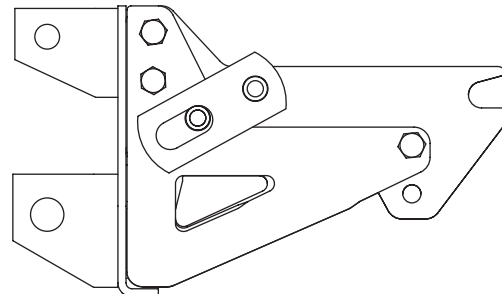
**Conversion Kit Assembly**

This conversion kit allows a WESTERN® UniMount® plow assembly to be installed on a vehicle equipped with a WESTERN® UltraMount® vehicle mount.

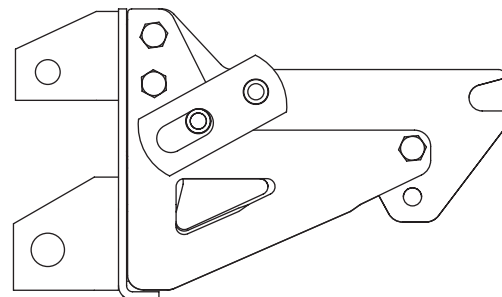
This kit can be assembled to allow for four height adjustments to obtain the necessary 9-1/2" to 10-1/2" coupling distance for attaching a WESTERN UniMount plow.



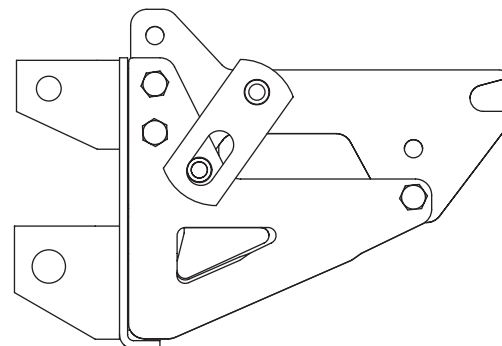
Prior to assembling the kit, measure the distance from the top of the UniMount receiver bracket to the ground. Assemble the items shown on the parts list in the position shown in the following diagrams.



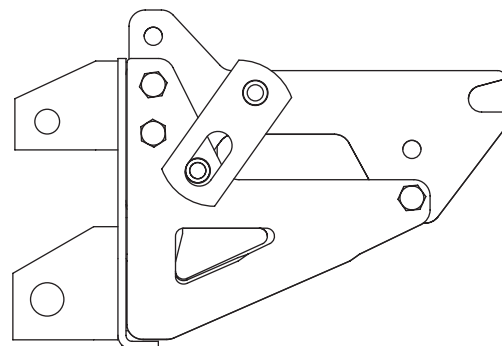
**Position 1**  
d = 14" - 15"



**Position 2**  
d = 15" - 16"



**Position 3**  
d = 16" - 17"



**Position 4**  
d = 17" - 18"

**⚠ WARNING**  
CONVERSION KIT USE IS LIMITED TO VEHICLES UNDER 10,000 GVWR

## Conversion Kit Installation

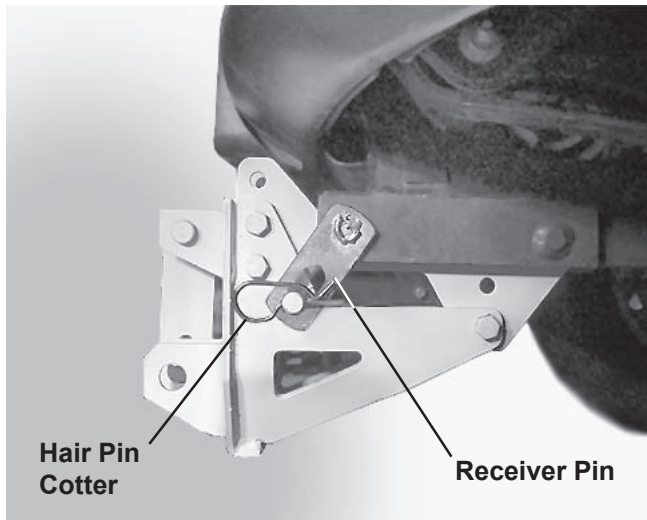
Slide the rear notch of the conversion kit over the pin at the rear of the mount. Rotate the front of the receiver upward into the mount U-bracket until the holes in the mount line up with the hole through the receiver. Insert the receiver pin into the aligned holes of the mount and receiver, align the hole in the receiver pin with the post on the receiver. Move the receiver pin inward until the hairpin cotter can be inserted through the hole in the post. **(See Photo.)**

Repeat for other side.

---

**NOTE: Additional bumper air dam notching may be required to attach the Conversion Kit.**

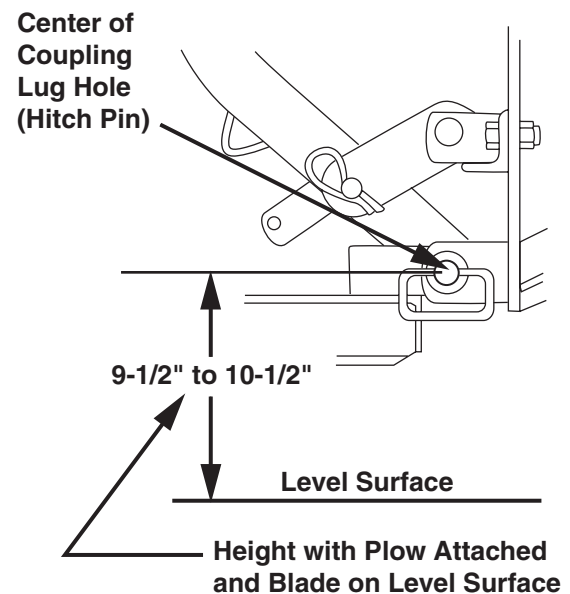
---



## Coupling Lug Height Check

1. Mount plow to vehicle. (See label on back of blade or Owner's Manual for mounting instructions.) Add recommended ballast as found in selection list.
2. With the blade on a level surface, slack in lift chain and rear ballast located behind rear wheels, the center of the coupling holes (hitch pin shaft) to level surface should measure 9-1/2" to 10-1/2".

If 9-1/2" to 10-1/2" distance is not obtained, adjust conversion kit upward or downward to obtain proper distance.




---

**NOTE: Coupling height must be 9-1/2" minimum to allow stand to be pinned to frame.**

---

3. Adjust chain slack with plow mounted to vehicle and lift channel pushed all the way down. To adjust, remove chain from hook, straighten chain and pull tight. Rehook it to the lift channel. After chain is hooked, it will have the correct amount of slack for blade "float". DO NOT remove chain from lift channel when removing plow from vehicle.



WESTERN PRODUCTS  
P.O. BOX 245038  
MILWAUKEE, WI 53224-9538

 A DIVISION OF DOUGLAS DYNAMICS, L.L.C.

Copyright© 2002 Douglas Dynamics, L.L.C. All rights reserved. This material may not be reproduced or copied, in whole or in part, in any printed, mechanical, electronic, film or other distribution and storage media, without the written consent of Western Products. Authorization to photocopy items for internal or personal use by Western Products outlets is granted.

Western Products reserves the right under its Product Improvement Policy to change construction or design details and furnish equipment when so altered without reference to illustrations or specifications used herein. Western Products and the vehicle manufacturer may require and/or recommend optional equipment for snow removal. Western Products offers a limited warranty on all snowplows and accessories. See separately printed page for this important information. The following are registered® trademarks of Douglas Dynamics, L.L.C: UltraMount®, UniMount® and WESTERN®.