



PARTS & INSTALLATION INSTRUCTIONS

EZ MOUNT XPRESS®

DAG-7.5 thru DAG-9.0 SNOW PLOWS



PARTS LIST

Item	Part No.	Part No.	Part No.	Part No.	Qty.	Description
	DAG-7.5	DAG-8.0	DAG-8.5	DAG-9.0		
	84250	84251	84252	84253	1	DAG Moldboard Assy.
1	84260	84261	84262	84263	1	• Moldboard Weld
2	8CE7.5	8CE8.0	8CE8.5	8CE9.0	1	• Cutting Edge
3	8CEBB	8CEBB	8CEBB	8CEBB	1	• Bolt C 5/8-11 x 2" Gr.5 & Locknut (Kit of 10)
4	84270	84271	84272	84273	1	• Trip Edge Weldment
5	81100003003	81100003003	81100003003	81100003003	6	• Pin 1-3/16 x 2-13/16"
6	20420	20420	20420	20420	6	• Cotter Pin 1/4 x 2"
7	12528	12528	12528	12528	2	• T-Bar Weldment
8	09124	09124	09124	09124	4	• Eye Bolt w/Locknut & Cap
9	07017	07017	07017	07017	4	• Trip Spring
10	20144	20144	20144	20144	2	• Bolt H 5/8 - 11 x 2-3/4" Gr. 5
11	20318	20318	20318	20318	2	• Locknut Esna 5/8-11
12	84040	84040	84040	84040	2	• Wear Shoe Assy
13	20361	20361	20361	20361	20	• Flatwasher 1"
14	811000224	811000224	811000224	811000224	2	• 5/16" Lynch Pin

Item	Part No.	Qty.	Description
	16545	1	EZ Mount Xpress® Diamond PAF
15	19180	1	• Stand Clevis Weldment
16	19175	1	• Hook Weldment w/ Light Brackets
17	13735e	1	• Xpress Push Frame
18	13740	1	• Rear Push Frame
19	81036	1	• Pivot Bar
20	19358	1	• RH Hook Coated
21	19359	1	• LH Hook Coated
22	19357	1	• Ram Adjustment Cap
23	19190	1	• Lift Arm
24	08852	1	• Plow Marker Kit
25	8511002008036	2	• Chain 5/16 x 36" Plated
	07293	1	• Mount Ram Assy. 2-1/4 x 15 DA SAE
26	05871	1	• Ram 2-1/4 x 15 DA SAE
27	22394	1	• Hose Assy. 1/4 x 20" M x M SAE-6
28	22395	1	• Hose Assy. 1/4 x 33" M x M SAE-6
29	22443	1	• Female Coupler SAE-6
30	22444	1	• Male Coupler SAE-6
31	22460	1	• Elbow 90 Degree M x F SAE-6
	08122	1	• HARDWARE BAG
32	07288	1	• 1-3/4" Xpress® Lock
33	20006	2	• Bolt H 1/4-20 x 1-1/4" Gr. 2
34	20145	1	• Bolt H 5/8-11 x 3" Gr. 5
35	20500	1	• Bolt H 5/8-18 x 4" Full Thread
36	22402	1	• Bolt H 5/8-11 x 12" Gr. 5
37	22272	1	• King Bolt H 1-8 x 6-1/2 w/ Grease Fitting
38	22273	1	• Pivot Bolt H 1-8 x 6-1/2
39	22398	1	• King Pivot Bolt W/Grease Fitting 1-8 x 5-1/2"
40	20303	2	• Locknut Esna 1/4-20
41	20309	10	• Locknut Esna 5/8-11
42	20544	1	• Hex Nut 5/8-18
43	22274	3	• Slotted Hex Nut 1-8
44	20331	1	• Lockwasher 5/8
45	21259	6	• Flatwasher 5/8 SAE
46	20420	5	• Cotter Pin 1/4 x 2"
47	22436	2	• Pin 1 x 3"
48	8518001026	2	• U-Bolt
49	20328	4	• Lockwasher 7/16
50	8501001007	4	• Nut Eslok 7/16-14
51	20140	8	• Bolt H 5/8-11 x 1-3/4" Gr. 5

Parts indented are included in the carton, bag or assembly under which they are indented.

Meyer Products Inc. and Diamond Equipment reserves the right, under its continuing product improvement program, to change construction or design details, specifications and prices without notice or without incurring any obligation.




Meyer Products Inc.
 18513 Euclid Ave. • Cleveland, Ohio 44112-1084
 Phone 486-1313 (Area Code 216)
 email*warranty@meyerproducts.com

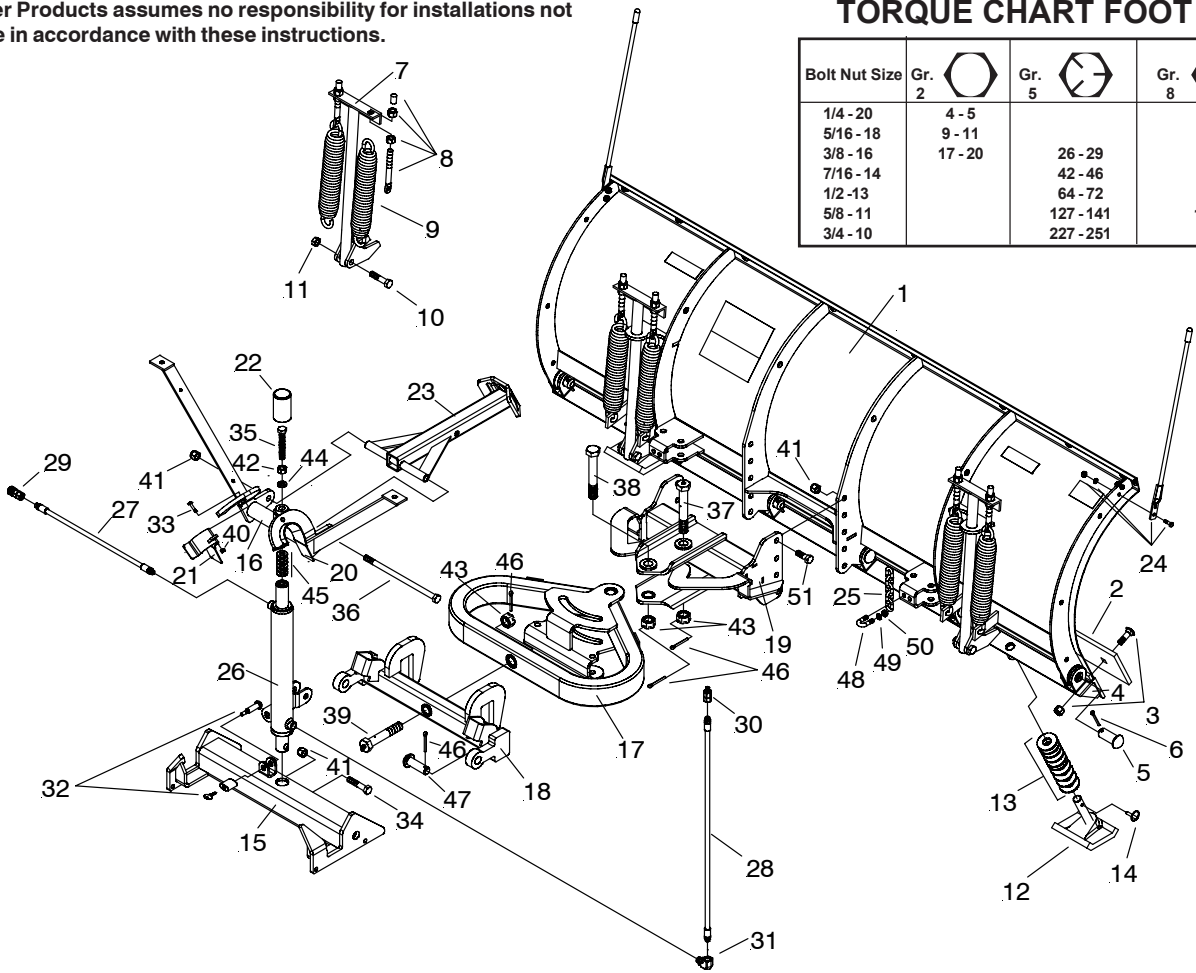
Diamond Equipment
 6 Angell Lane • Damariscotta, ME 04543-9720
 Phone 563-2227 (Area Code 207)
 www.diamondplow.com • email info@diamondplow.com



Meyer Products assumes no responsibility for installations not made in accordance with these instructions.

TORQUE CHART FOOT LBS.

Bolt Nut Size	Gr. 2 	Gr. 5 	Gr. 8 
1/4 - 20	4 - 5		
5/16 - 18	9 - 11		
3/8 - 16	17 - 20		
7/16 - 14		26 - 29	60 - 66
1/2 - 13		42 - 46	90 - 100
5/8 - 11		64 - 72	179 - 198
3/4 - 10		127 - 141	
		227 - 251	



SUGGESTED ORDER OF NEW PLOW INSTALLATION

1. Vehicle specific mounting instruction - Form Varies
2. Snow plow assembly - Form 1-858 (Current Form)
3. Hydraulic/ lights / controls install - Form 1-820
4. Operation and Maintenance Manual - Form 4-611

SNOW PLOW ASSEMBLY INSTRUCTIONS

- A. Have Moldboard Assembly (1) face down for steps A to D. Install Pivot Bar (19) to Moldboard Assy. (1) using eight 5/8-11 x 1-3/4" Bolt (51) and 5/8-11 Locknut (41).
- B. Install nose hole of Pushframe (17) to the front hole of Pivot Bar (19) using the 1"-8 x 6-1/2" Pivot Bolt w/ grease fitting (37), Slotted Hex Nut (43), and Cotter Pin (46). Install the 1"-8x 6-1/2" pivot bolt (38) through the rear holes on Pivot Bar (19) and Pushframe's (17) slots and attach using a Slotted Hex Nut (43), and Cotter Pin (46). **Note: Tighten all Slotted Hex Nuts (43) one slot past snug and install and bend Cotter Pins (46) to prevent the nut from coming loose.**
- C. Position hook ears on Rear Pushframe (18) over the rear tube section on Pushframe (17) and attach using a 1" x 5-1/2" Bolt w/ grease fitting (39), Slotted Hex Nut (43), and Cotter Pin (46). See note from step B.
- D. For ease of assembly, install Power Angling Cylinders (In Hydraulic Carton) with the plow face down. Reference Form 1-820.
- E. Tilt current plow assembly back upright.
- F. Align plow markers (24) to the inside of plow's end ribs and attach using two 5/16-18 x 1" Bolts and 5/16-18 locknuts on each side.
- G. Start new subassembly by installing the live end of Mount Ram Assy (26) into Stand Clevis Weldment (15). Align holes and attach with a 5/8-11 x 3" Bolt (34) and 5/8-11 Locknut (41). **Note: This assembly is meant to be close in tolerance, in some cases excess paint may need to be removed from the live end of the cylinder to fit.**
- H. Place three out of six 5/8 SAE Washers (45) on top of Mount Ram Assy (26). The three may need to be adjusted later in the install. Slip Top Hook Weldment (16) over Washers (45) and Mount Ram (26). **Note: This assembly is meant to be close in tolerance, in some cases some excess paint may need to be removed from the top of the cylinder to fit.** Thread the 5/8-11 Hex Nut (42) most of the way up the 5/8-18 x 4" Full Thread bolt (35). Slip the 5/8 lockwasher (44) over the bolt assy and thread through the center hole on the Top Hook Weldment (16) and into the top of the Mount Ram (26). Snug Bolt (35) and then Nut (42) with a wrench. Insert Ram Adjustment Cap (22) over bolt assembly.
- I. Insert LH & RH Coated Hooks (20/21) into the hooks of the Top Hook Weldment (16). Align the tabs with the holes and attach using a 1/4-20 x 1-1/4" bolt (33) and 1/4-20 locknut (40).

- J. Align Lift Arm (23) in-between the top hook weldment's ears and attach using a 5/8-11 x 12" bolt (36) and 5/8-11 locknut (41).

⚠ WARNING

Xpress Lock Pin (32) **MUST** be installed through the stand clevis (15) u-clip and the mount ram (26) tab when plow is attached to vehicle. This is a safety feature that insures the stand clevis stays attached to the Lift Frame at all times (See Mount Instructions).

Xpress Lock Pin (32) can also be installed when plow is removed with the mount ram collapsed. **Both on and off the vehicle, the Xpress Lock Pin (32) will help prevent theft.**

- K. Align the Rear Push Frame (18) ears to the outer side plate holes on stand clevis (15) and attach using Pin (47) with cotter Pin (46) on each side. **Note: After the ears have been inserted, it may be easier to install Pins (47) by tilting the stand assembly back away from the plow to give more room for hands. Pins (47) may be installed from the inside or outside.**
- L. Refer to Form 1-820 for hydraulic and electrical installation, then finish step M & N.
- M. Install one end of each Chain (25) at the first link to Moldboard (1) using U-Bolt (48) 7/16 Lockwasher (49) and 7/16-14 Locknut (50). Install both lift chains through the two hooks on the Lift Arm (23). Adjust the lift chains so that they have no slack when the Lift Arm (23) is parallel to the ground. The moldboard should not begin to raise until the lift arm is parallel with the ground. This ensures that the lift arm cannot interfere with the back of the moldboard. This also ensures the plow blade will lift fully and be able to follow the ground contour while plowing.
- N. When clamping the Mount Ram (26) to the truck for the first time. Make sure the assembly clamps fully; you will see a small amount of flex in the top tube on the lift frame. If there is too much or no flex, refer back to Step H, you may need to add (up to 3 extra washers (45)), or remove some of the 3 washers (45) to get a tight fit on the truck.

⚠ WARNING



Read the Meyer Owner's Manual before operating or servicing a snowplow. **FOLLOW THESE INSTRUCTIONS EXPLICITLY.**