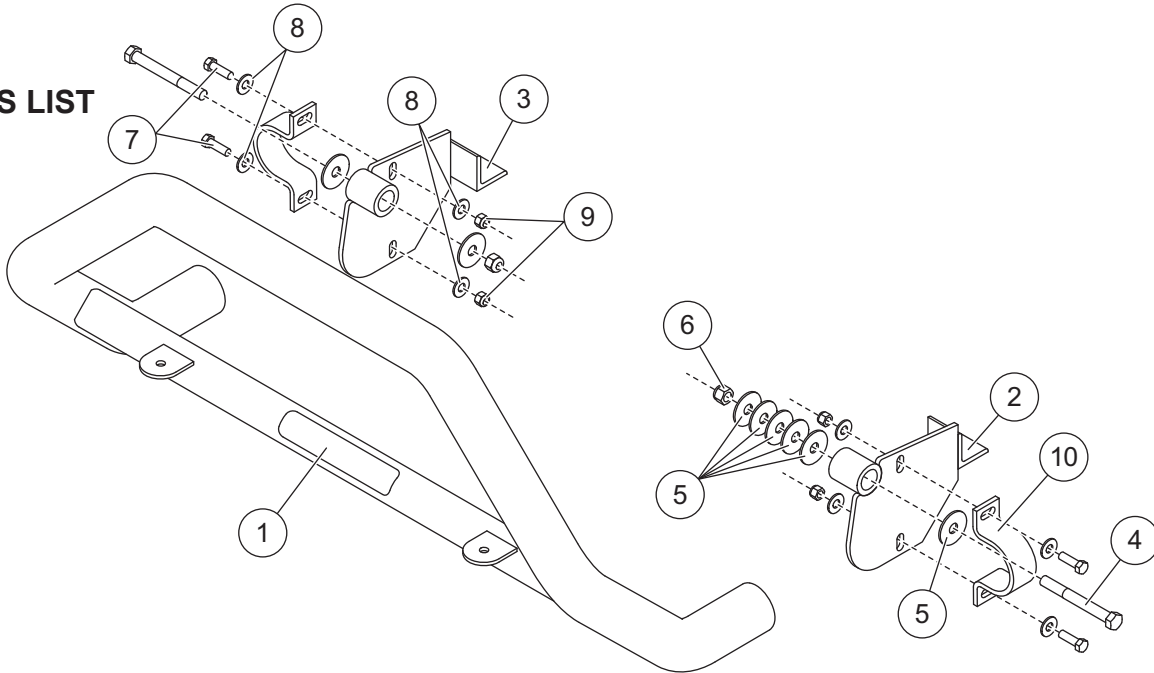




# ProTube™ BUMPER/GRILLE GUARD

**PARTS LIST**



| ProTube Bumper/Grille Kit |       |     |                                 |      |       |     |  |
|---------------------------|-------|-----|---------------------------------|------|-------|-----|--|
| Item                      | Part  | Qty | Description                     | Item | Part  | Qty | Description                            |
| 1                         | 26242 | 1   | Label, ProTube                  | 3    | 28523 | 1   | ProTube Bracket, PS                    |
| 2                         | 28524 | 1   | ProTube Bracket, DS             | ns   | 28526 | 1   | Bolt Bag                               |
| 28526 Bolt Bag            |       |     |                                 |      |       |     |  |
| 4                         | *     | 2   | 1/2-13 x 4 Hex Cap Screw G5     | 8    | *     | 8   | 3/8 Flat Washer                        |
| 5                         | *     | 10  | 1/2 Flat Washer                 | 9    | *     | 4   | 3/8-16 Hex Locknut GB                  |
| 6                         | *     | 2   | 1/2-13 Hex Locknut GB           | 10   | *     | 2   | Clamp                                  |
| 7                         | *     | 4   | 3/8-16 x 1-1/4 Hex Cap Screw G5 |      |       |     |  |
|                           |       |     | ns = not shown                  |      |       |     | * = available as part of bolt bag only |
|                           |       |     |                                 |      |       |     | G = Grade                              |

**⚠ WARNING**  
Do not exceed GVWR or GAWR, including blade and ballast. The rating label is found on the driver-side vehicle door cornerpost.

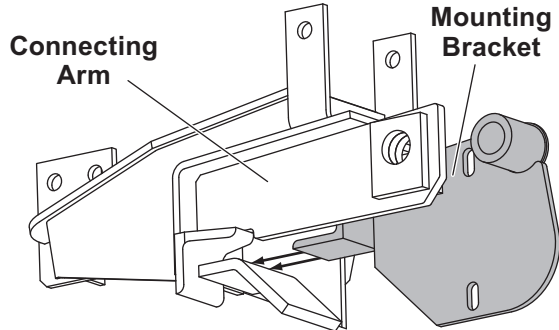
**⚠ CAUTION**  
Read this document before installing the ProTube bumper/grille guard.

**⚠ CAUTION**  
Use standard methods and practices when attaching snowplow and installing accessories including proper personal protective safety equipment.

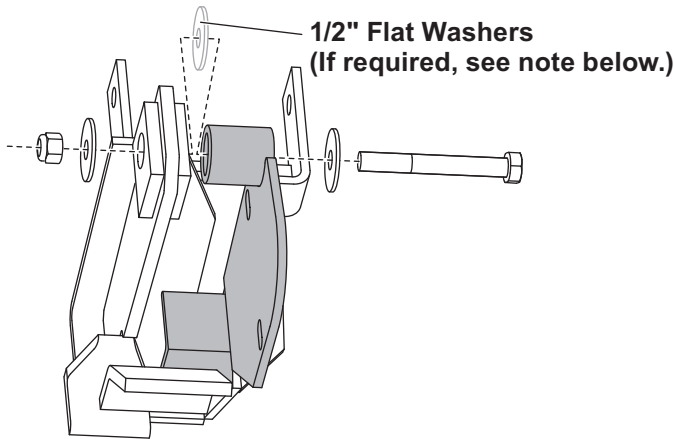
**⚠ CAUTION**  
See your FISHER® outlet/Web site for specific vehicle application recommendations before installation. ProTube guard weight information may be found in the Kit Selection Guide.

**INSTALLATION INSTRUCTIONS**

1. Place the driver-side mounting bracket into the driver-side connecting arm as shown.

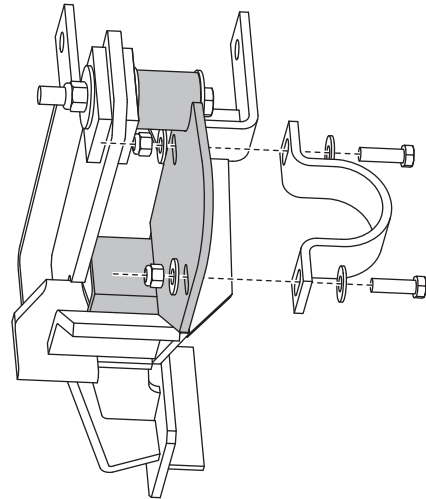


2. Put a 1/2" flat washer onto a 1/2" x 4" cap screw, then insert the cap screw through the holes in the driver-side mounting bracket and the connecting arm. Put another 1/2" flat washer over the end of the cap screw. Place a 1/2" locknut on the cap screw and hand tighten. Leave the 1/2" fasteners loose enough to allow for future adjustment. Repeat for the passenger's side.

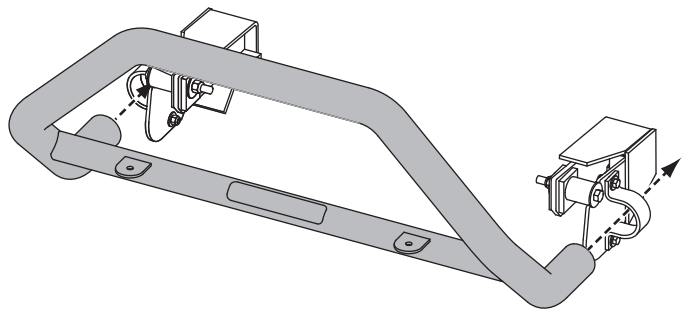


**NOTE: The center-to-center measurement for the snowplow connecting arms should be approximately 29-1/8". If the distance is less than that, you may have to insert 1/2" flat washers to eliminate the gap between the connecting arms and the ProTube™ brackets.**

3. Position a clamp against the side of the driver-side mounting bracket. Put a 3/8" flat washer on two 3/8" x 1-1/4" cap screws. Insert the two cap screws with washers through the holes in the clamp and the driver-side mounting bracket. Put another 3/8" flat washer over the end of each cap screw. Place 3/8" locknuts on the cap screws and hand tighten. Leave the 3/8" fasteners loose enough to allow for future adjustment. Repeat for the passenger's side.



4. Install the ProTube bumper/grille guard into the driver- and passenger-side clamps, and adjust the position as desired. Tighten all fasteners.



**NOTE: After five to ten hours of usage, retorque all ProTube fasteners.**

Copyright © 2010 Douglas Dynamics, L.L.C. All rights reserved. This material may not be reproduced or copied, in whole or in part, in any printed, mechanical, electronic, film or other distribution and storage media, without the written consent of Fisher Engineering. Authorization to photocopy items for internal or personal use by Fisher Engineering outlets or snowplow owner is granted.

Fisher Engineering reserves the right under its product improvement policy to change construction or design details and furnish equipment when so altered without reference to illustrations or specifications used. Fisher Engineering or the vehicle manufacturer may require or recommend optional equipment for snow removal. Do not exceed vehicle ratings with a snowplow. Fisher Engineering offers a limited warranty for all snowplows and accessories. See separately printed page for this important information. The following are registered (®) or unregistered (™) trademarks of Douglas Dynamics, L.L.C.: FISHER®, ProTube™.