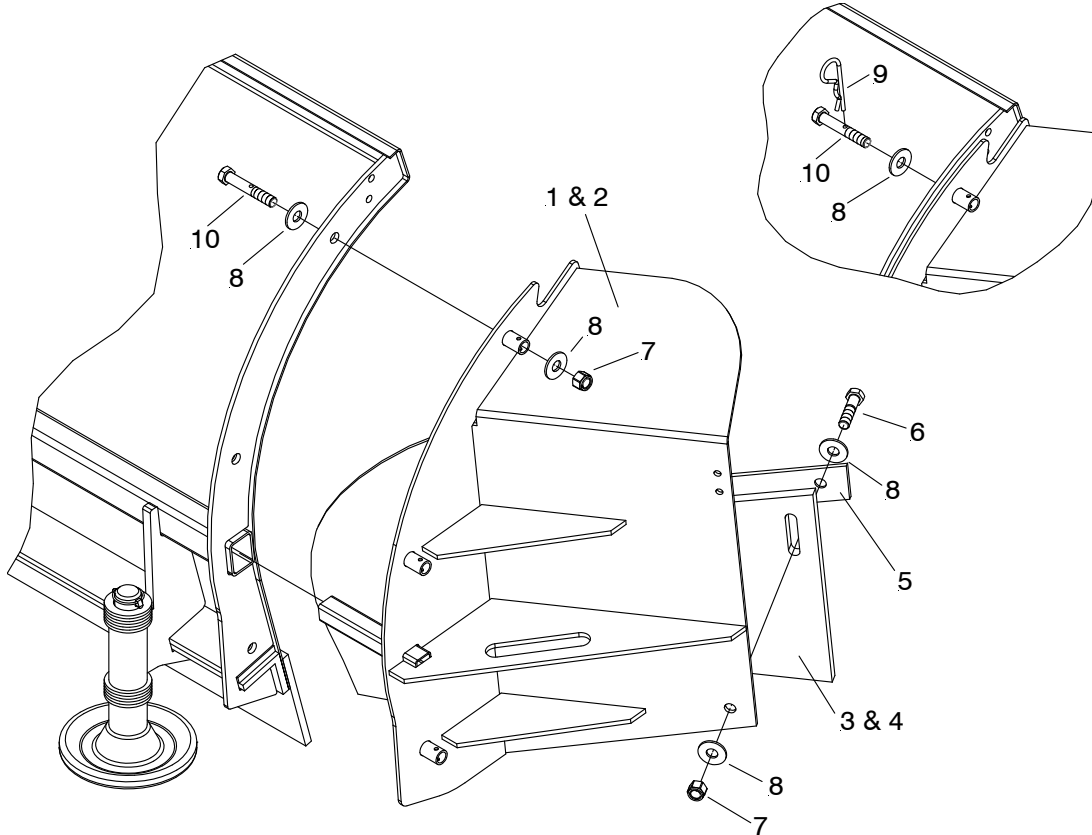


Parts & Installation Instructions

AG (Xpress) & LP (Lot Pro)-Series 7.5 thru 9.0 (08100) Steel Molboard Wings



Parts List

Item	Part No.	Qty.	Description
	08100		Moldboard Wing Kit
1	12720	1	• RH (Passenger Side) Wing
2	12719	1	• LH (Driver Side) Wing
3	19870	1	• LH (Driver Side) Wing Rubber Edge
4	19786	1	• RH (Passenger Side) Wing Rubber Edge
5	12787	2	• Strap
	08146	1	• Hardware Bag
6	20097	6	•• Bolt 1/2-13 x 2" Gr.5
7	20307	12	•• Locknut 1/2-13
8	20355	24	•• Flawasher 1/2"
9	21984	6	•• Hair Pin Cotter
10	22760	6	•• Bolt H 1/2-13 x 3" Gr. 5

Parts indented are included in the assembly under which they are indented.

NOTE: The 08100 Wing Kit is not recommended to be used with a rubber or urethane cutting edge.

Meyer Products LLC reserves the right, under its continuing product improvement program, to change construction or design details, specifications and prices without notice or without incurring any obligation.

INSTALLATION INSTRUCTIONS

- A.** Slide LH & RH Wing (1 & 2) onto Plow and install using Pin $1/2 \times 1-3/4$ (10), $1/2$ " Flatwashers (8) and either Hair Pin Cotter (9) or $1/2-13$ Locknut (7).
- B.** Install LH & RH Wing Rubber Edge (3 & 4) to Wings (1 & 2) using $1/2-13 \times 2$ " Bolt (6), $1/2$ " Flatwasher (8), Strap (5) and $1/2-13$ Locknuts (7). Adjust Wing Rubber Edge (3 & 4) so it will rest flat on the ground when moldboard is on the ground. Tighten Fasteners at this time.

