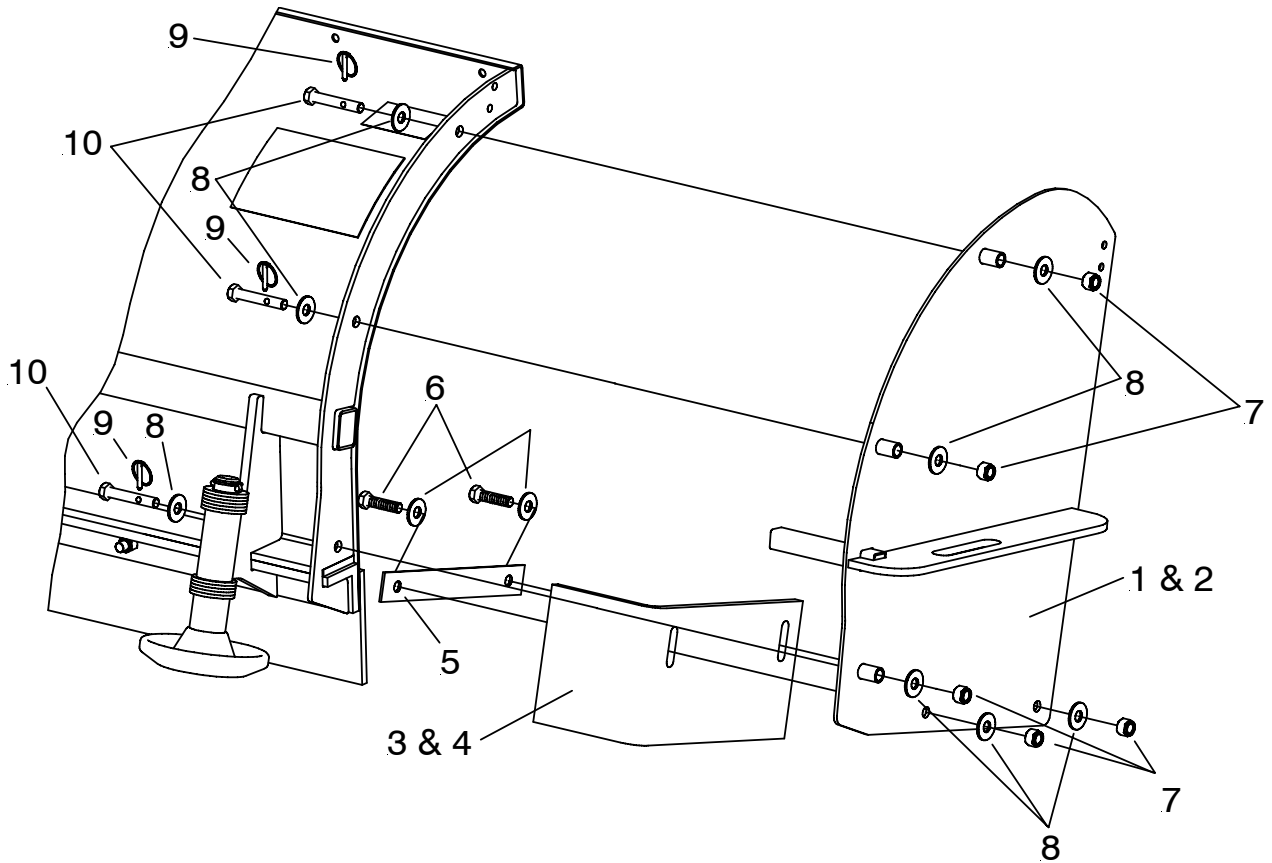


Parts & Installation Instructions

AG (Xpress) & LP (Lot Pro)-Series 7.5 thru 9.0 (08104) Steel Molboard Box Wings



Parts List

Item	Part No.	Qty.	Description
	08104		Moldboard Box Wing Kit
1	12777	1	• RH (Passenger Side) Wing
2	12778	1	• LH (Driver Side) Wing
3	12742	1	• RH (Passenger Side) Wing Rubber Edge
4	12743	1	• LH (Driver Side) Wing Rubber Edge
5	12785	2	• Strap
	08102	1	• Hardware Bag
6	20097	4	•• Bolt 1/2-13 x 2" Gr.5
7	20307	10	•• Locknut 1/2-13
8	20355	20	•• Flawasher 1/2"
9	21984	6	•• Hair Pin Cotter
10	22760	6	•• Bolt H 1/2-13 x 3" Gr. 5

Parts indented are included in the assembly under which they are indented.

NOTE: The 08104 Box Wing Kit is not recommended to be used with a rubber or urethane cutting edge.

Meyer Products LLC reserves the right, under its continuing product improvement program, to change construction or design details, specifications and prices without notice or without incurring any obligation.

Meyer Products LLC
18513 Euclid Ave. • Cleveland, Ohio 44112-1084
Phone 486-1313 (Area Code 216)
www.meyerproducts.com • email info@meyerproducts.com



Meyer Products LLC
6 Angell Lane • Damariscotta, ME 04543-4507
Phone 563-2227 (Area Code 207)
www.meyerproducts.com • email info@meyerproducts.com

INSTALLATION INSTRUCTIONS

- A. Slide LH & RH Wing (1 & 2) onto Plow and install using Bolt H 1/2 x 3 (10), 1/2" Flatwashers (8) and either Hair Pin Cotter (9) or 1/2-13 Locknut (7).
- B. Install LH & RH Wing Rubber Edge (3 & 4) to Wings (1 & 2) using 1/2-13 x 2" Bolt (6), 1/2" Flatwasher (8), Strap (5) and 1/2-13 Locknuts (7). Adjust Wing Rubber Edge (3 & 4) so it will rest flat on the ground when moldboard is on the ground. Tighten Fasteners at this time.

