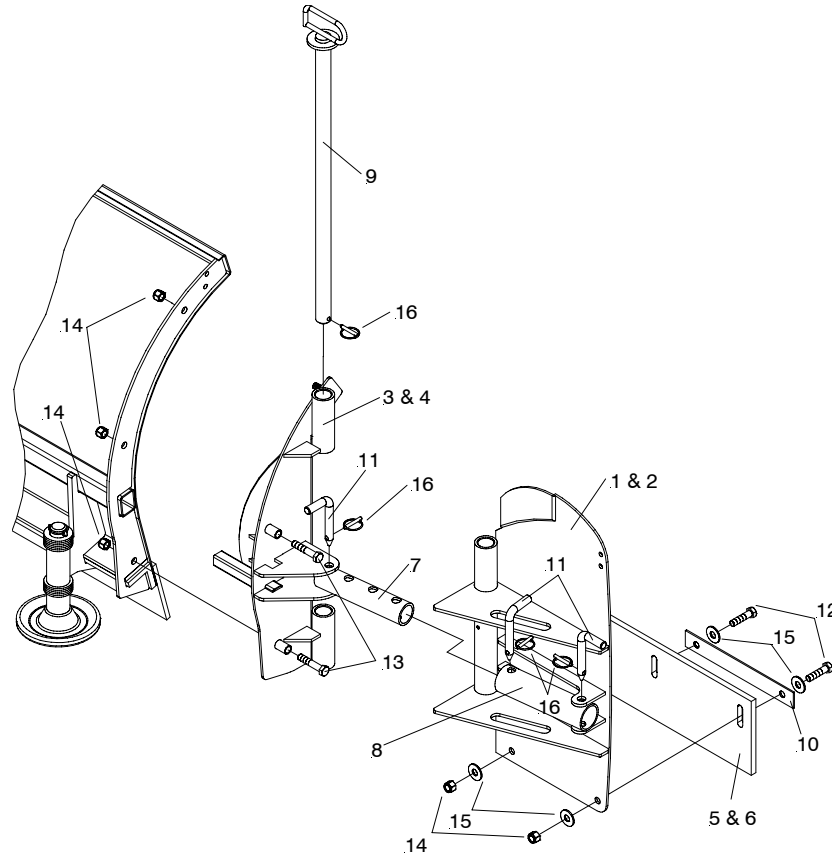


# Parts & Installation Instructions

## AG & Lot Pro Series (08105)

### Steel Molboard EZ-Wing MP



#### Parts List

Item	Part No.	Qty.	Description
	08105		<b>EZ-Wing MP</b>
1	12769	1	• RH (Passenger Side) Wing
2	12770	1	• LH (Driver Side) Wing
3	12755	1	• RH (Passenger Side) Wing Pivot
4	12756	1	• LH (Passenger Side) Wing Pivot
5	12742	1	• RH (Passenger Side) Wing Rubber Edge
6	12743	1	• LH (Driver Side) Wing Rubber Edge
7	12739	2	• Manual Cylinder Inner Tube
8	12741	2	• Manual Cylinder Outer Tube
9	12758	2	• Pivot Pin with Handle
10	12785	2	• Strap
	08101	1	• <b>Hardware Bag</b>
11	11006	6	•• Hinge Pin
12	20097	4	•• Bolt 1/2-13 x 2" Gr.5
13	20099	4	•• Bolt 1/2-13 x 2-1/2" Gr.5
14	20307	10	•• Locknut 1/2-13
15	20355	8	•• Flawasher 1/2"
16	22083	8	•• Lynch Pin

Parts indented are included in the assembly under which they are indented.

**NOTE: The 08105 EZ-Wing MP is not recommended to be used with a rubber or urethane cutting edge.**

Meyer Products LLC reserves the right, under its continuing product improvement program, to change construction or design details, specifications and prices without notice or without incurring any obligation.

Meyer Products LLC  
18513 Euclid Ave. • Cleveland, Ohio 44112-1084  
Phone 486-1313 (Area Code 216)  
www.meyerproducts.com • email info@meyerproducts.com



Meyer Products LLC  
6 Angell Lane • Damariscotta, ME 04543-4507  
Phone 563-2227 (Area Code 207)  
www.meyerproducts.com • email info@meyerproducts.com

## INSTALLATION INSTRUCTIONS

- A. Install LH & RH Wing Pivot (3 & 4) to moldboard using Bolt H 1/2-13 x 2-1/2" (13) and 1/2-13 Locknut (14).
- B. Attach LH & RH Wing (1 & 2) to LH & RH Wing Pivot (3 & 4) using Pivot Pin with Handle (9) and Lynch Pin (16). Be sure to grease Pivot Pin with Handle (9) before assembly.
- C. Attach Manual Cylinder Inner and Outer Tubes (7 & 8) to LH & RH Wing (1 & 2) & LH & RH Wing Pivot (3 & 4) using Hinge Pin (11) and Lynch Pin (16).
- D. Remove plow markers from snow plow and attach to LH & RH Wing (1 & 2).
- E. Install RH (passenger side) Wing Rubber Edge (5) and Strap (10) to RH Wing (1) using 1/2-13 x 2" Bolt (12), 1/2" Flatwasher (15) and 1/2-13 Locknuts (14). Adjust RH (passenger side) Wing Rubber Edge (5) so it will rest flat on the ground when moldboard is on the ground. Tighten Fasteners at this time.
- F. Repeat above installation instructions for Rubber Edge (6) on LH Wing (2).

## Operation

The EZ-Wing MP can be positioned straight (90 degrees to the plow) to create a box plow, (45 degrees to the plow or 0 degrees to the plow. The Wings can also be quickly removed to by pulling out Pivot Pin with Handle (9).

