



Distributed by
Commercial Equipment
Replacement Parts

Toll Free 1-877-285-4665 Phone 416-477-7300
Fax 416-477-0994

2015-2016

- Air-
- Boss
- Buyers
- Curtis
- Fisher
- Flink
- Henderson
- Hi-Way
- Meyer
- Monroe
- Municipal
- SaltDogg
- ScoopDogg
- Sectional Snoplow
- Sno-Way
- SnowDogg
- Snow-Ex
- Swenson
- Western

And Many More!



And So Much More!

SNOW & ICE EQUIPMENT

REPLACEMENT PARTS





TABLE OF CONTENTS

WALK BEHIND SALT SPREADER	1-2
SNOWPLOW REPLACEMENT PARTS	
GUIDE STICKS AND SNOW DEFLECTORS	3
HYDRAULIC FLUID, SNOWPLOW SHOES, TRIP SPRINGS, PINS AND EYEBOLTS	4-5
HYDRAULIC CYLINDERS AND RODS	6-7
SEAL KITS AND FILTERS & GASKETS	8
HOSES	9
HYDRAULIC FITTINGS AND EMERGENCY REPAIR KITS	10
VALVES & COVERS, COILS	11
SNOWPLOW PUMPS, SNOWPLOW ELECTRIC MOTORS, SOLENOIDS & RELAYS	12
SNOWPLOW WIRE HARNESSSES, CONTROL & BATTERY CABLES, OVERHAUL KITS	13
STEEL CUTTING EDGES AND CUTTING EDGE BOLT KITS	14-16
SPREADER REPLACEMENT PARTS	17
ELECTRIC CLUTCHES, VIBRATORS & ELECTRIC THROTTLES	17
SALT SPREADER ELECTRIC MOTORS & SALT SPREADER WIRE HARNESSSES	18
SPINNER DISCS, HUBS AND PULLEYS	19
BEARINGS AND SPINNER SHAFTS	20
SPROCKETS	21
ROLLER CHAINS, CONVEYOR CHAINS AND MASTER LINKS	22-24
CHARLYN HYDRAULIC MOTORS	25
MAXIM HYDRAULIC MOTORS	26





Maxim 125 lb. All-Season Broadcast Spreader

Features:

- Poly Hopper Capacity: 125 lbs.
- Heavy Duty Carbon Steel Frame Construction
- Spread Width: 10' – 12'
- 14" Pneumatic Wheel with Contoured Plastic Rim
- Adjustable Flow Gate for precise flow rate settings
- Enclosed & Greased Heavy Duty Aluminum Gears
- Includes Rain Cover
- Includes Material Grate
- Includes Deflector Kit

BROADCAST SPREADER

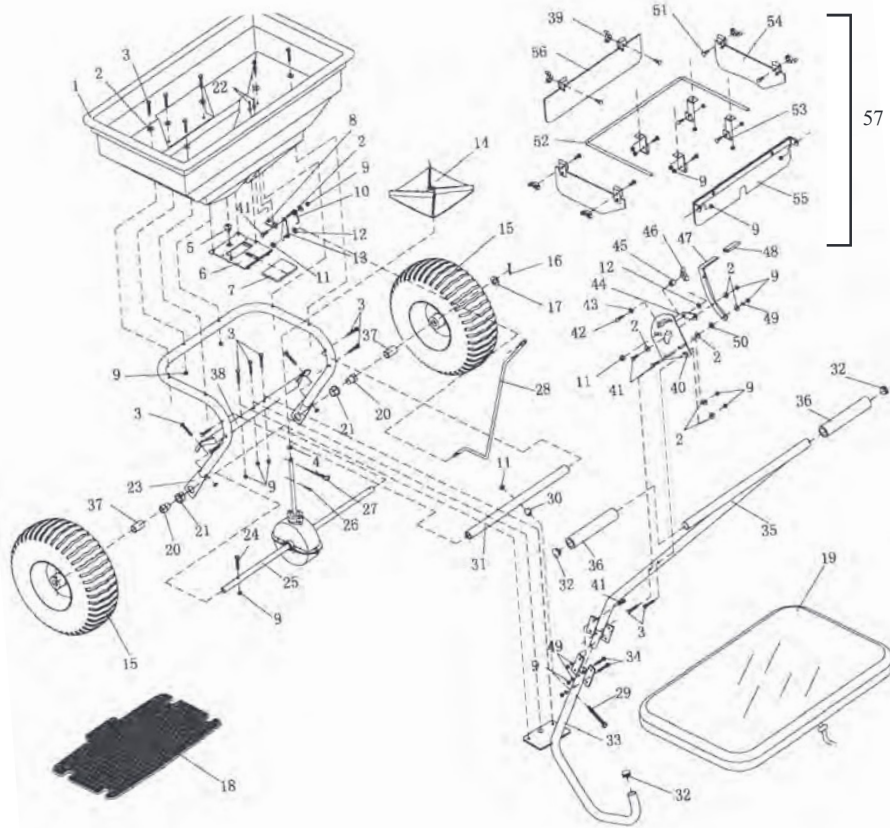
MAXIM P/N	DESCRIPTION
MPS125	125 lb. Walk Behind Broadcast Spreader

Superior de-icing and fertilizing starts with Maxim's all-season 125 lb. Broadcast Spreader. Originally designed for commercial applications, this 125 lb. spreader has the flexibility and reliability that all contractors and homeowners are looking for.

Rugged... The Maxim Broadcast Spreader incorporates a Heavy Duty, 3/8" Thick Polyethylene Hopper wall construction. This wall construction is engineered precisely to handle the most extreme conditions and a variety of materials. Rugged 14" Pneumatic Wheels deliver unrivaled traction and maneuverability, even in the iciest conditions.

Flexibility... Designed to handle a variety of materials, Maxim's Broadcast Spreader has the flexibility that your customers are looking for. With the incorporated Adjustable Flow Gate, you can easily transition from short to fine spreading widths with the flip of a handle.

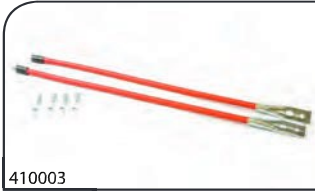
Reliability... With Maxim's Broadcast Spreader you can forget the days of continued gear binding. Incorporating enclosed and greased aluminum gears, the Maxim Broadcast Spreader provides consistent and smooth spread coverage.



58 - Hardware Bag Consisting of:
2,3,9,11,12,16,17,20
24,27,34,37,41,49

Illustration #	MAXIM P/N	DESCRIPTION	Illustration #	MAXIM P/N	DESCRIPTION
1	505001	Hopper	30	505030	Spacer
2	505002	#6 Big Flat Washer	31	505031	Fixed Crossover Tube
3	505003	M6 x 40 Hex Bolt	32	505032	End Cap
4	505004	Washer	33	505033	Support Tube
5	505005	Swivel Axle Bushing	34	505034	M6 x 35 Hex Bolt
6	505006	Fixed Adjustable Plate	35	505035	Handle
7	505007	Active Adjustable Plate	36	505036	Handle Cover
8	505008	Base for Spring	37	505037	Axle Bushing
9	505009	M6 Lock Nut	38	505038	Crossover Tube
10	505010	Spring	39	505039	Stainless Wing Nut
11	505011	M8 Lock Nut	40	505040	Gauge Level Plate
12	505012	#8 Flat Washer	41	505041	M6 x 20 Hex Bolt
13	505013	Fixed Plate for Connecting Rod	42	505042	M6 x 25 Bolt
14	505014	Impeller	43	505043	#8 Lock Washer
15	505015	Wheel	44	505044	Connecting Plate
16	505016	#5 x 35 Cotter Pin	45	505045	Spacer
17	505017	#16 Flat Washer	46	505046	Wing Nut
18	505018	Hopper Screen	47	505047	Adjustable Handle
19	505019	Rain Cover	48	505048	Handle Grip
20	505020	Inner Axle Bushing	49	505049	#6 Spring Washer
21	505021	Outer Axle Bushing	50	505050	Nylon Washer
22	505022	#5 x 8 Rivet	51	505051	Round Head Bolt M6 x 20
23	505023	Frame Tube Assembly	52	505052	Hanging Rod
24	505024	Bolt M6 x 60	53	505053	Hanging Plate
25	505025	Swivel Axle	54	505054	Side Back Plate
26	505026	M4 x 20 Screw	55	505055	Rear Back Plate
27	505027	#3 "R" Pin	56	505056	Front Back Plate
28	505028	Solid Linkage	57	505057	Deflector Assembly
29	505029	M8 x 75 Hex Bolt	58	505058	Hardware Bag

GUIDE STICKS



410003



410002

OEM PART #	MAXIM P/N	DESCRIPTION			
09916	410000	Yellow Cable Guide Sticks - Old Style (Pair)			
09917	410001	Yellow Cable Guide Sticks - New Style (Pair)			
A5108	410002	Black Cable Guide Sticks - Stud Mount (Pair)			
7906K					
BAX00005					
MSC01870	410003	Red Cable Filled Guide Sticks (Pair)			
25010118					
62265					
59700	410007	Flag Style - Coil Spring Guide Sticks (Pair)			
59694	410008	Flag with S-Hook Only			
27195	410010	Black Cable Filled Guide Sticks - 26" Length - Stud Mount (Pair)			

SNOW DEFLECTORS



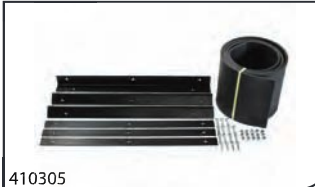
410300



410308



410304



410305

OEM PART #	MAXIM P/N	DESCRIPTION			
MSC01565	410300	Straight Blade and V Plow Snow Deflector Kit			
MSC04058	410301	Rubber Deflector Only - 122" Long			
MSC03906	410302	Center Deflector Only - V-Plows - 22" Long			
22390	410303	9'10" MC Series Snow Deflector Kit			
22470	410304	7.5' - 9 LD/RD/HD Deflector Kit			
12896	410305	6.5' - 8' Snow Deflector Kit with Angled Bars			
RDK-96					
12898	410306	8.5' - 10' Snow Deflector Kit			
62124					
RDK-120					
12900	410307	Rubber Deflector Only - 96" Long			
16121157					
16120157					
16120159					
62394	410308	Rubber Deflector Only - 120" Long			
20748					
22465					
12901					
16120161					
16120163	410309	6.5' - 8' Snow Deflector Kit			
16120164					
62393					
62123					