

GROUND WIRE LEAD INSTALLATION INSTRUCTIONS

(for WESTERN/FISHER VEE BLADE 14-PIN PLUG-N-PLOW HANDHELD CONTROLS)

These instructions will outline how to install the (BLACK) ground wire lead included in this kit. Your Western/Fisher plows electrical system should currently have Positive (+) Coil Commons with Negative (-) switching. For the Western/Fisher Vee Blade Plug-n-Plow control to work, the Western/Fisher electrical system must be converted to Negative (-) Coil Commons with Positive (+) switching. To convert to Negative (-) Coil Commons with Positive (+) switching, follow the instructions below:

⚠ WARNING

If you do NOT feel confident in your ability to perform the installation below, it is strongly recommended that a qualified service professional does the installation.

Note: It is important that you have your Western/Fisher Snowplow Manual available. Before starting, study the coil layout and become familiar with the electrical system that is on your plow. Some Western/Fisher VB harnesses have 3 plugs (UltraMount) connecting the plow to the vehicle and some only have 2 plugs (UniMount). These installation instructions will work for both, but focus mainly on the 3 plug (UltraMount) system.

Installation Instructions (UltraMount - 3 Molded Plugs) See Western Mechanic's Guide Lit. No. 28270

1. Read through all of these instructions before starting the installation and turn the vehicle's ignition OFF.
2. Locate the vehicle side 7-Pin Molded plug that should be coming out by the vehicles grille.
3. Follow that harness into the engine compartment about 5 to 6 feet, but before the harness branches (or Y's) off.
4. Strip a 3 or 4 inch section of the braid off of the harness, making sure not to damage any of the wires inside.
5. Locate the (RED/YELLOW) RED wire with the YELLOW stripe.
6. Cut the RED/YELLOW wire.
7. Apply the supplied Wire Nut to the RED/YELLOW wire that goes to the VEHICLES CAB.

⚠ WARNING

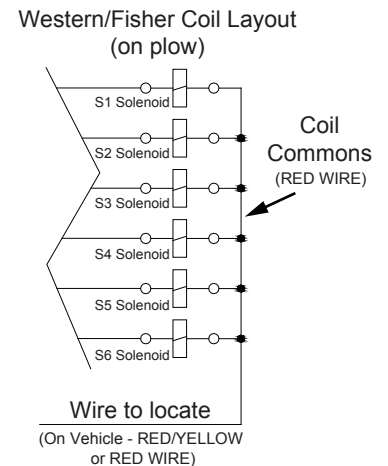
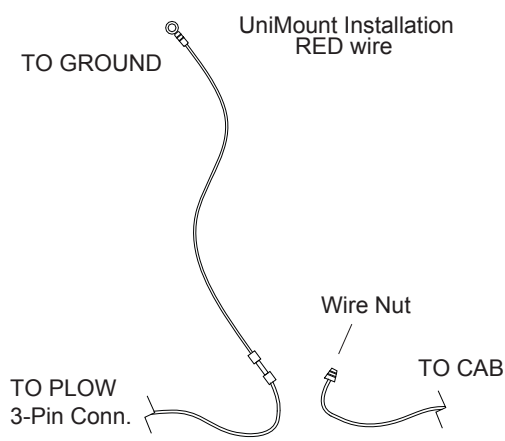
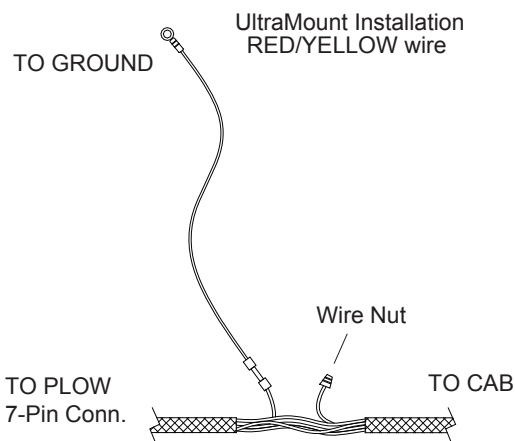
The RED/YELLOW wire that goes to the vehicles cab is HOT. It is CRITICAL that the RED/YELLOW wire that goes to the vehicles cab DOES NOT connect to ground.

8. Strip the wire jacket off of the RED/YELLOW wire that goes to the PLOW.
9. Attach the insulated butt splice (with a crimp tool) of the supplied BLACK ground wire lead to the RED/YELLOW wire that goes to the PLOW. Use a heat gun to shrink the butt splice jacket (to seal the connection).
10. Attach the ring terminal of the supplied BLACK ground wire lead to a suitable ground.
11. Plug in the Western/Fisher Vee Blade Plug-n-Plow control, turn it ON and check to make sure everything is working. Then use the supplied tie wraps to secure the harness if needed.

Note: If at a later date you decide to go back to a Western/Fisher OEM control, you must undo the changes above, or the OEM control will not work properly.

Installation Instructions (UniMount - 2 Molded Plugs) See Fisher (EZ-V) Mechanic's Guide Lit. No. 21856 See Western Mechanic's Guide Lit. No. 21857

1. Read through all of these instructions before starting the installation and turn the vehicle's ignition OFF.
2. Locate the vehicle side 3-Pin Molded plug that should be coming out by the vehicles grille.
3. Follow that harness into the engine compartment and at some point near the vehicles battery a small RED wire should exit the harness. It should be plugged into another RED wire (that goes to the vehicles cab) with a faston connector.
4. Follow UltraMount instructions #6 to #11 above, substituting the RED wire you just located for the RED/YELLOW wire mentioned above.



Note: Plugging our Plug-n-Plow control into your current Western/Fisher harness, without making the changes above (not recommended) should do no harm. Our control will stay ON (will not shut OFF) and only the pump will work. If you make the changes above, then plug in a Western/Fisher OEM control (not recommended), the OEM control will turn ON, but only the pump will work. This also should do no harm.

Disclaimer: Even though U.P. Controls Inc. has tested this configuration on multiple Western/Fisher plows, it is impossible for U.P. Controls Inc. to be aware of all OEM electrical design changes, or the electrical installation that is on every vehicle. Your electrical system may vary and it's up to you, the installer of this system, to make sure the installation is done properly. U.P. Controls Inc. & Storks Plows are not liable for any damage or injury caused by a faulty installation.