






PARTS & INSTALLATION INSTRUCTIONS
SNOW PLOW E-Z XPRESS™
SNOW PLOW MOUNTING 17164
2008 & Later FORD F250 thru F550
4x4 MODELS
Snow Plow Preparation Package 86M



End user must be given this instruction sheet prior to delivery of this Snow Plow.

SAFETY DEFINITIONS



	This is the safety alert symbol. It is used to alert you to potential personal injury hazards. Obey all safety messages that follow this symbol to avoid possible injury or death.
	DANGER Indicates an imminently hazardous situation which, if not avoided, will result in death or serious injury.
	WARNING Indicates a potentially hazardous situation which, if not avoided, could result in death or serious injury.
	CAUTION Indicates an potentially hazardous situation which, if not avoided, may result in minor or moderate injury.
	CAUTION used without the safety alert symbol indicates a potentially hazardous situation which, if not avoided, will result in property damage.

IMPORTANT NOTICE


In conjunction with FMVSS (Federal Motor Vehicle Safety Standards) and OEM (Original Equipment Manufacturer) guidelines, Meyer Products has designed this plow package with the following guidelines:

	Installation of a snowplow may effect your new vehicle warranty. For more information consult your Vehicle Owner's Manual / Vehicle Dealer.
	The vehicle must not be operated when overloaded. In all cases, the loaded vehicle weight, including the entire snowplow system, all aftermarket accessories, driver, passenger, options, nominal fluid levels, and cargo must not exceed the front/rear Gross Axle Weight Rating (GAWR), and total Gross Vehicle Weight Rating (GVWR). These weights ratings are specified on the safety compliance certification label on the driver's side door opening. The use of rear ballast weight may be required to prevent exceeding the front GAWR.



According to the NHTSA (National Highway Traffic Safety Administration) new and untitled vehicles need to be verified by the installer that snowplow and ballast (if needed) do no exceed the front/rear GAWR and total GVWR.

	 Read the Meyer Owner's Manual before operating or servicing a snowplow. FOLLOW THESE INSTRUCTIONS EXPLICITLY.
---	--

GENERAL INFORMATION

	SAFETY PRECAUTIONS should be used when Hydraulic Unit is in OPERATION and plow is in a RAISED position. Lower plow to ground when vehicle is PARKED in case of hydraulic failure.
---	---

Check contents against the parts list to determine all are correct and included, and also to familiarize yourself with them.

	Warranty does not apply to a Meyer or Diamond product which has been negligently or improperly assembled or installed.
	CAUTION: To avoid harm to vehicles electrical system always disconnect battery before beginning installation. DO NOT BURN holes or WELD vehicle frame. This may cause frame failure.

OVERHAUL and SERVICE INFORMATION are covered on separate instructions.

Meyer Products LLC reserves the right, under its continuing product improvement program, to change construction or design details, specifications and prices without notice or without incurring any obligation.

Meyer Products LLC
18513 Euclid Ave. • Cleveland, Ohio 44112-1084
Phone 486-1313 (Area Code 216)
www.meyerproducts.com • email info@meyerproducts.com



Meyer Products LLC
6 Angell Lane • Damariscotta, ME 04543-4507
Phone 563-2227 (Area Code 207)
www.meyerproducts.com • email info@meyerproducts.com

PARTS LIST

ITEM	PART NO.	QTY.	DESCRIPTION
	17164	1	MOUNTING CARTON
1	19830	1	• R.H. Side Member
2	19829	1	• L.H. Side Member
3	11396	1	• Brace Connector
4	19805	2	• Strap
5	19821	2	• Handle Bolt (16") 3/4-10 x 2-1/4" Gr.5
6	19823	2	• Handle Bolt (8") 5/8-11 x 2" Gr.5
	08204	1	• Hardware Bag
7	20096	6	•• Bolt H 1/2-13 x 1-3/4" Gr. 5
8	20141	2	•• Bolt H 5/8-11 x 2" Gr. 5
9	20154	2	•• Bolt H 5/8-11 x 2-1/2" Gr. 5
10	20166	4	•• Bolt H 3/4-10 x 2-1/2" Gr. 5
11	20307	6	•• Locknut ESNA 1/2-13
12	20309	6	•• Locknut ESNA 5/8-11
13	20310	6	•• Locknut ESNA 3/4-10
14	20357	2	•• Flatwasher 5/8"
15	20359	12	•• Flatwasher 3/4"
16	*19170	1	Brush Guard/Lift Frame
	07292	2	• Rubber Bumper
**	16535	1	Pivot Bar/ A-Frame Carton (AG)
**	16545	1	Pivot Bar/ A-Frame Carton (DAG)

CAUTION

CAUTION: To avoid harm to vehicles electrical system always disconnect battery before beginning installation.

DO NOT BURN holes or **WELD** vehicle frame. This may cause frame failure.

IMPORTANT
After first use, retighten all mounting bolt connections to specified torque. All mounting bolt connections to be checked periodically for tightness.

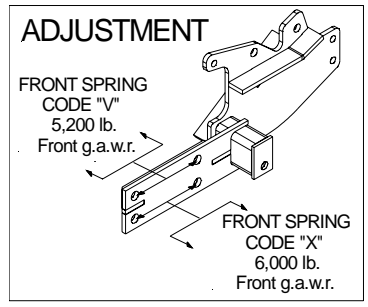
Locknuts are furnished **DO NOT** tighten bolts and nuts until installation is complete (unless otherwise specified), then be sure to tighten all attaching parts per specified torque chart.

TORQUE CHART FOOT

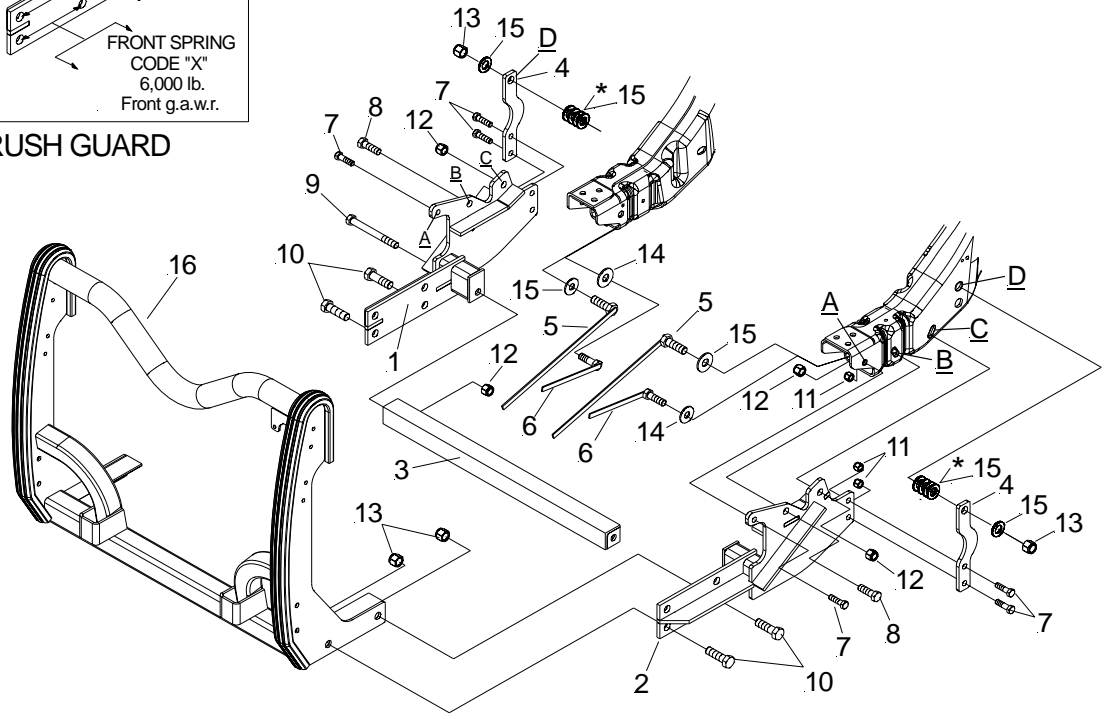
Bolt Nut Size	Gr. 2	Gr. 5	Gr. 8
1/4 - 20	4 - 5		
5/16 - 18	9 - 11		
3/8 - 16	17 - 20	26 - 29	
7/16 - 14		42 - 46	60 - 66
1/2 - 13		64 - 72	90 - 100
5/8 - 11		127 - 141	179 - 198

Parts indented are included in the carton, bag or assembly under which they are indented.

** PARTS /CARTONS ORDERED SEPARATELY



BRUSH GUARD



* Add spacer Flatwashers (15) as needed until Strap (4) clears the stabilizer bar. Due to vehicle frame variances, the quantity of spacer Flatwashers required may vary

FIGURE 1

VEHICLE RECOMMENDATIONS

⚠ WARNING

- A ballast weight may be required to prevent front GAWR overloading. If required, ballast must be securely attached at least 18 inches behind the rear axle.
- Front end wheel alignment and headlight aim may require readjustment after installation of equipment, and is the responsibility of the equipment installer. Failure to adjust front wheel alignment may cause premature uneven tire wear. If required, reset to chassis manufacturer's specifications found in the Ford Shop Manual.
- Rear ballast is determined by weighing a vehicle's front and rear axles and adding weight behind the rear axle until front axle weight is under or equal to the vehicle specific front GAWR while not exceeding the rear GAWR and GVWR.
- Vehicle option packages may vary. If in doubt, it is always a good idea to weigh the vehicle to ensure all weight ratings are not exceeded with plow in the raised position.

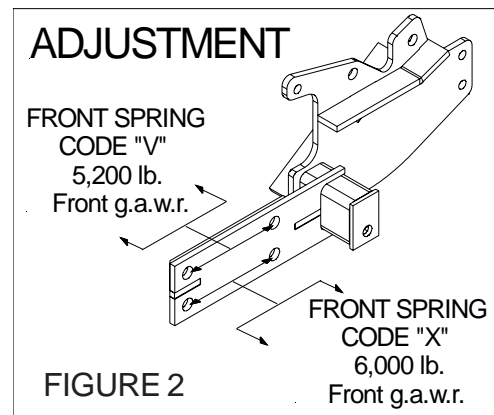
INSTALLATION INSTRUCTIONS

- Remove bumper and retain Hardware. They will be reused.
- Position L.H. Side Member (2) onto driver's side of vehicle frame aligning the top three holes in Side Member (2) with existing holes in vehicle frame. Attach Side Member (2) to vehicle frame at hole (A) using 1/2-13 x 1-3/4" bolt (7) and Locknut (11). At Hole (B) using 5/8-11 x 2" bolt (8) and Locknut (12). At Hole (C) using Handle Bolt (6), flatwasher (14) and locknut (12). Per illustration. **Snug all bolts during installation. Do not tighten at this time.**
- Follow same procedure when mounting R.H. Side Member (1) to passenger side of vehicle frame.
- Position top hole in Straps (4) to Hole (D) on both the driver and passenger side of vehicle frame. Attach strap (4) per illustration using Handle Bolt (5), flatwasher (15) to inside of frame rail. Space out strap (4) using flatwashers (15) behind Strap (4), and locknut (13). **See ** note on Figure 1.**
Snug all bolts during installation. Do not tighten at this time.

- Attach lower holes of Straps (4) to L.H. and R.H. Side Member (1 & 2) using 1/2-13 x 1-3/4" bolt (7) and locknut (12). **Snug all bolts during installation. Do not tighten at this time.**
- Position the Brace Connector (3) between the L.H. & R.H. Side Members (1 & 2). Attach Brace Connector (3) to Side Members (1&2) using 1/2-13 x 1-3/4" bolt (7), locknut (12). **Snug all bolts during installation. Do not tighten at this time.**

BRUSH GUARD/LIFT FRAME (16) CAN BE ADJUSTED UP OR DOWN between Side Members (1&2).

Match vehicle Spring Code Information with hole locations in Figure 2. Information on Spring codes can be found in the lower right hand corner of tag located in the driver's side door jam. Example: V/B or X/B.



BRUSH GUARD

Note: Before fasteners are tightened, the Clevis Frame (*) should be level with the ground and pushed back as far under the vehicle as possible.

- Tighten all fasteners to their proper torque. Tighten bolts in the same order they were assembled to the vehicle.
- Reinstall bumper using original vehicle hardware.
- Install remaining snowplow hardware per separate instructions.
- Install Lighting System per Separate instructions.

Meyer Products assumes no responsibility for installations not made in accordance with these instructions.