

DODGE W MODEL 4WD TRUCKS, RAMCHARGER AND PLYMOUTH TRAILDUSTER - 1972 and LATER

IMPORTANT NOTICE

End user must be given this instruction sheet prior to delivery of this snow plow.

The equipment you have purchased should only be used on vehicles equipped with the manufacturer's snow plow preparation packages. Snow plowing without the original snow plow preparation package may damage your vehicle and the added weight of the equipment may impair the operation and control of the vehicle. Snow plowing with a vehicle that the manufacturer does not recommend for that purpose may void your new vehicle warranty. If your vehicle is not originally equipped with the snow plow preparation package, additional parts may be necessary before snow plowing. Owners of these vehicles should consult their dealers before purchase or installation of such parts. CAUTION: The installation, on any vehicle, of these parts is not a full substitute for the original equipment snow plow preparation package. **WARNING: Lift arm extends beyond bumper of vehicle. To minimize damage from a front-end collision. Lift arm should be removed from vehicle when snow plow is not in use.**

PARTS LIST

Item	Meyer Part No.	Chrysler Part No.	Qty.	Description
1	17079		1	MOUNTING CARTON
2	10360		1	• Lift Frame
3	10427	4088841	1	• Underframe Brace L.H.
4	10426	4088840	1	• Underframe Brace R.H.
5	10424	4088839	1	• Clevis Frame
6	10514	3497294	1	• Lift Arm
	10423	4088842	2	• Mounting Strap
7	08354		1	• HARDWARE BAG - MTG.
8			6	• Bolt H 7/16-14 x 1-1/4
9			4	• Bolt H 5/8-11 x 1-3/4
10			1	• Bolt H 5/8-11 x 2-3/4
11			2	• Bolt H 5/8-11 x 3-1/2
12			4	• Bolt H 3/4-10 x 2
13			2	• Bolt H 3/4-10 x 2-1/2
14			6	• Locknut 7/16-14
15			7	• Locknut 5/8-11
16			6	• Locknut 3/4-10
17			8	• Flat Washer, 7/16
18			2	• Flat Washer, 5/8
			4	• Flat Washer, 3/4

Item	ST-90 Moldboard Ass'y.			C-8 Moldboard Ass'y.			Description
	Meyer Part No.	Chrysler Part No.	Qty.	Meyer Part No.	Chrysler Part No.	Qty.	
19	16288	4237652	1	06249	4237653	1	SECTOR & A-FRAME CARTON
	12326	3632594	1	12793	3897532	1	• Sector
	13306	3632595	1	13319	3897533	1	• A-Frame
	07017	3632593	3	07017	3632593	4	• Trip Spring
20	08166	3632596	1	08341	3632596	1	• PLOW HARDWARE BAG
	09119	4443639	2	09119	4443639	2	• Pivot Pin w/Cotter Pin
21	08565SC	4443638	2	08565SC	4443638	2	• Hinge Pin w/Hair Pin Cotter
	08543SC	4443638	1	08543SC	4443638	1	• Hair Pin Cotter (Kit of 2)
	09122	3632598	1	09125	3632597	1	• King Bolt w/Locknut
	09124	3632597	3	09124	3632597	4	• Eye Bolt w/Locknuts
	09916	3879746	1	09916	3879746	1	• SNOW PLOW MARKER KIT
	09163	3497280	1	09286	4031866	1	MOLDBOARD ASSEMBLY
	09796	3632590	1	09133	4031966	1	• Cutting Edge
	08184	3632819	1	08184	3632819	1	• Bolt C 1/2-13 x 2 & Locknut (Kit 10 of each)
	09126		2	09126		2	• Runner & Spindle Ass'y.
	07006	3632591	1	07006	3632591	1	• Runner
	12057	3632592	1	12057	3632592	1	• Spindle
			10			10	• Flat Washer, 1-1/4
			1			1	• Cotter Pin, 1/4 x 2
			1			1	• Bolt H 1/2-13 x 3
			1			1	• Locknut 1/2-13

Parts indented are included in carton, bag or assembly under which they are indented.

NOTE: 1991/1992 W-150, W-250, W-350 & RAMCHARGER SNOWPLOWS ALSO REQUIRE ADAPTER KIT P/N 08600. See Service Bulletin #134R

Meyer Products reserves the right, under its continuing product improvement program, to change construction or design details, specifications and prices without notice or without incurring any obligation.

GENERAL INFORMATION

CAUTION: Always disconnect battery before beginning installation.

After first use retighten all mounting bolt connections to specified torque. All mounting bolt connections to be checked periodically for tightness.

Check contents against the parts list to determine all are correct and included; and also to familiarize yourself with them.

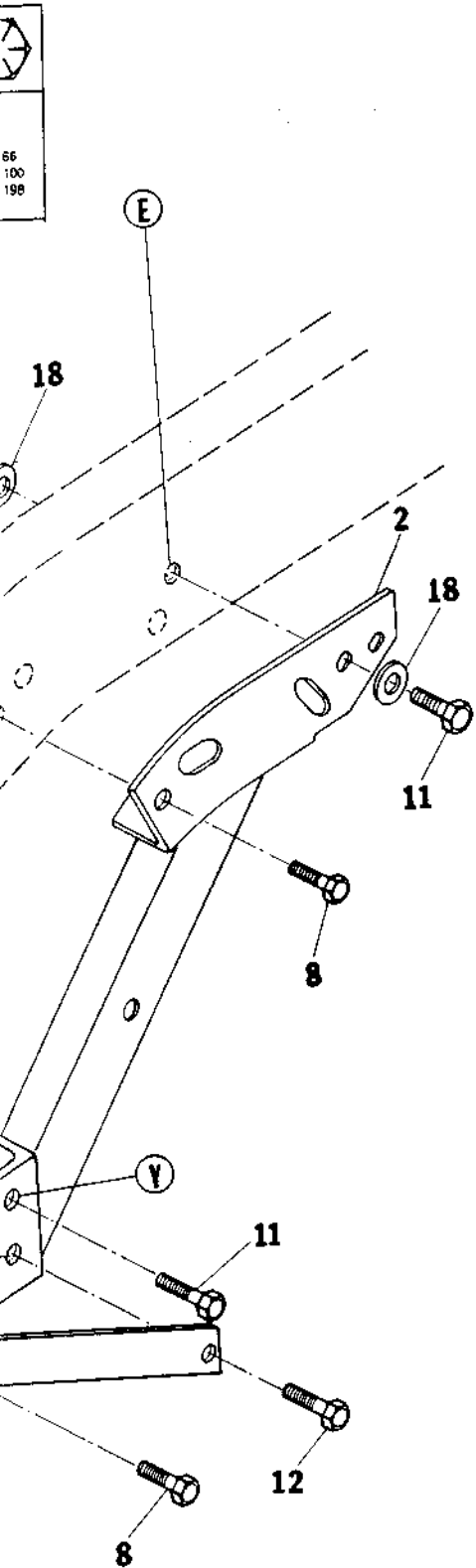
Locknuts are furnished. Do not tighten bolts and nuts until installation is complete (unless otherwise specified), then be sure to tighten all attaching parts per specified torque chart.

When ordering parts furnish Part No., Name and Description. Also furnish Vehicle Model and Year, Type of Hydraulic Unit and Plow Size.

INSTALLATION INSTRUCTIONS


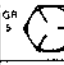
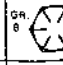
- a. Remove front bumper, retaining original parts and fasteners.
- b. Attach Lift Frame (1) to frame rails by inserting 7/16 x 1-1/4 bolts, flat washers and locknuts (7, 13 & 16) into holes "A", "B" and "C". Use flat washers against vehicle frame and where fasteners contact a slotted hole.
- c. Attach Underframe Braces (2 & 3) to vehicle frame at holes "D" and "E" with 5/8 x 1-3/4 & 3/4 x 2 bolts, flat washers and locknuts (8, 11, 14, 15, 17 & 18). Hole "E" may need to be reamed to 3/4".
- d. W100 and W200 — Attach Clevis Angle (4) to underframe Braces (2 & 3) by aligning holes "W" & "Y" and secure with 3/4 x 2 bolts and locknuts (11 & 15). Attach Mounting Straps (6) to Side Members (2 & 3) and Clevis Angle (4) by aligning with holes "Z" and "X" and secure with 3/4 x 2-1/2 bolts and locknuts (12 & 15).
RAMCHARGER & TRAILDUSTER — Attach Clevis Angle (4) to Underframe Braces (2 & 3) by aligning holes "X" and "Y" and secure with 3/4 x 2 bolts and locknuts (11 & 15). Attach Mounting Straps (6) to Side Members (2 & 3) and Clevis Angle (4) by aligning with holes "Z" and secure with 3/4 x 2-1/2 bolts and locknuts (12 & 15).
- e. Attach other end of Mounting Straps (6) to Lift Frame (1) at holes "H" with 5/8 x 1-3/4 bolts and locknuts (8 & 14).
- f. Attach Lift Arm (5) to Lift Frame (1) with 5/8 x 3-1/2 bolt and locknut (10 & 14).
- g. Reinstall bumper to Lift Frame (1) with original parts and fasteners.
- h. Before tightening Lift Frame bolts, pull top of Lift Frame forward to take out the slack in the bolt holes. Tighten all bolts per specified torque chart.
- i. Pre-assemble Moldboard Assembly, A-Frame (19), Sector, etc., per separate instructions.
- k. Connect the A-Frame (19) to the Clevis Angle (4) using Hinge Pins and Spring Clips (20 & 21).
- l. Hook the A-Frame chain to Lift Arm (5) allowing sufficient slack to enable the Moldboard to follow ground contour while plowing.

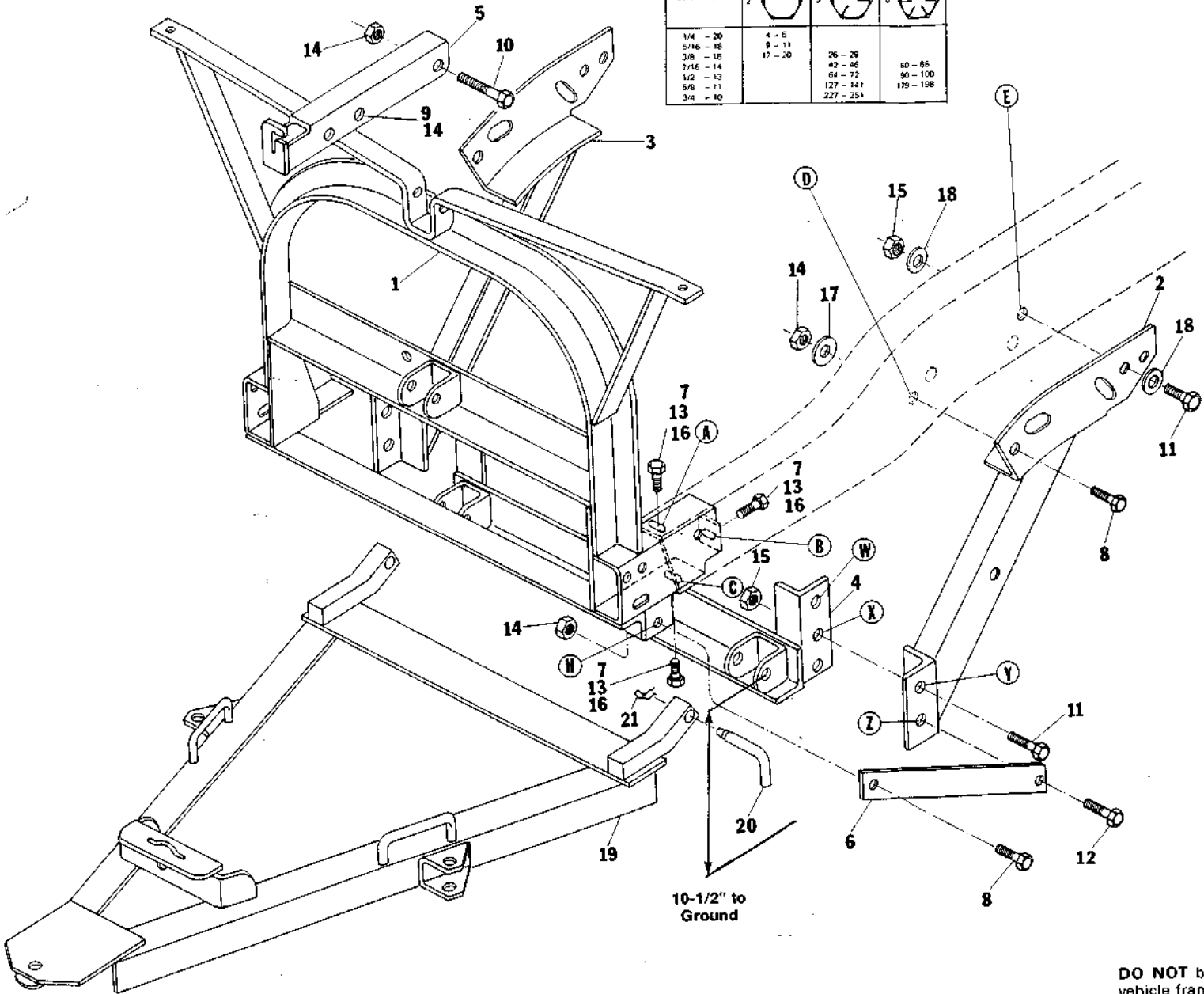
NOTICE: Meyer Products assumes no responsibility for installations not made in accordance with these instructions.



DO NOT burn holes or weld vehicle frame. This may cause frame failure.

TORQUE CHART FOOT LBS.

Bolt Nut Size	GR 2	GR 5	GR 8
			
1/4 - 20	4 - 5		
5/16 - 18	8 - 11		
3/8 - 16	17 - 20	26 - 29	
7/16 - 14		42 - 46	60 - 86
1/2 - 13		64 - 72	90 - 100
5/8 - 11		127 - 141	179 - 198
3/4 - 10		227 - 251	



DO NOT bur
vehicle frame.
frame failure.