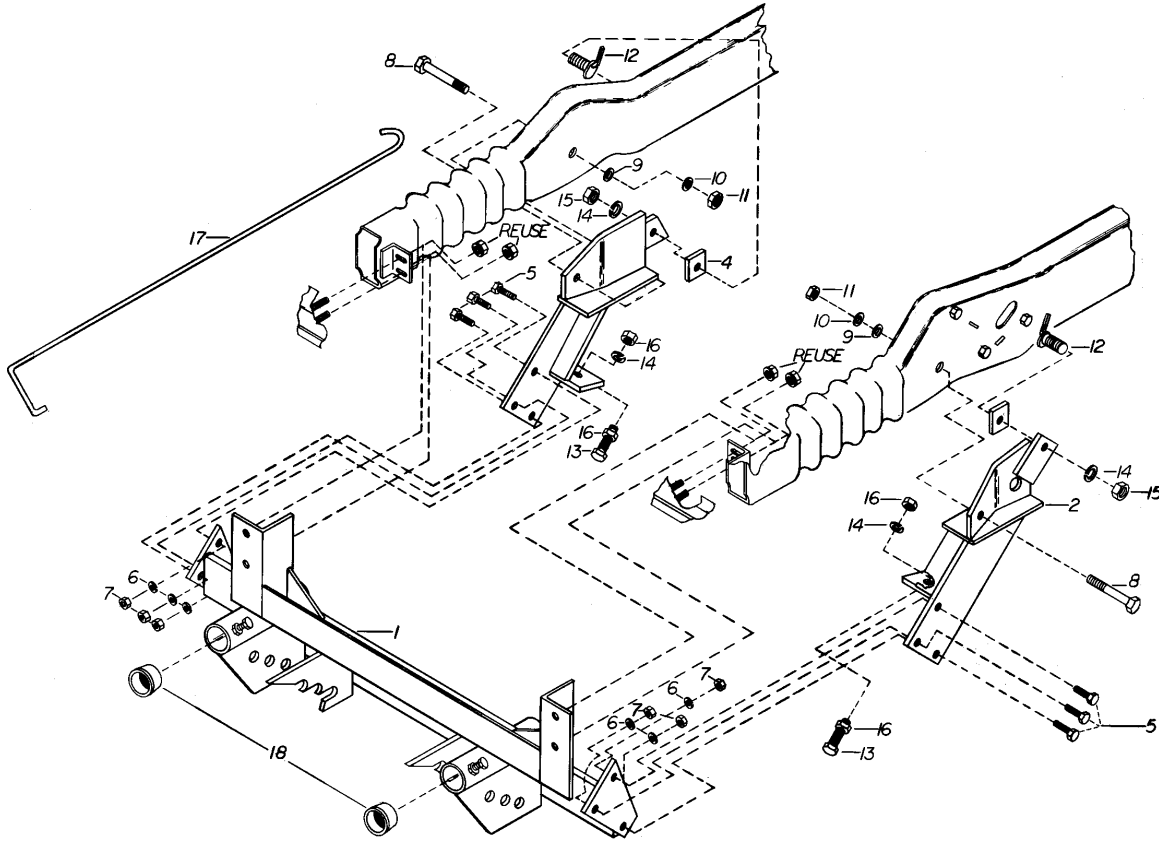


**1992 - 1996 Ford F150 4X4**  
**1992 Bronco 4x4**  
**81002 ATTACHMENT KIT**



**PARTS LIST**

ITEM	STOCK	DESCRIPTION	QTY.	ITEM	STOCK	DESCRIPTION	QTY.
	81002	MOUNTING CARTON		10	* 20331	5/8" FLATWASHER	2
1	815000 060	FRONT MOUNTING FRAME	1	11	* 20530	5/8-11 NUT	2
2	815000 060	PUSHARM, DR SIDE	1	12	* 14595	3/4-10 X 1-3/4" "L" SCREW	2
3	815000 061	PUSHARM, PS SIDE	2	13	* 20166	3/4-10x2 1/2" CAPSCREW	2
4	* 815000 062	SPACER	2	14	* 20333	3/4" LOCKWASHER	2
5	* 20095	1/2-13x1-1/2" CAPSCREW	6	15	* 8501001 015	3/4-10 NUT	2
6	* 20329	1/2" LOCKWASHER	6	16	* 8501003 015	3/4-10 JAM NUT	4
7	* 8501001 009	1/2-13 NUT	6	17	819000 013	RELEASE HOOK	1
8	* 20149	5/8-11 X 4" CAPSCREW	2	18	815000 146	REC. TUBE END CAP	2
9	* 20357	5/8" FLATWASHER					

\* ITEMS PACKED IN 80069 BOLT BAG

**Parts indented are included in the assembly under which they are indented.**

Diamond Equipment reserves the right, under its continuing product improvement program, to change construction or design details, specifications and prices without notice or without incurring any obligation.



Diamond Equipment  
Old Route 1 RR #1 • Damariscotta, ME 04543-9720  
Phone 563-2227 (Area Code 207)  
www.diamondplow.com • email info@diamondplow.com

# PARTICULAR ATTACHMENTS INSTRUCTIONS FOR 81002 PULL AWAY MOUNTINGS

## IMPORTANT NOTICE

**End user must be given this instruction sheet prior to delivery of this Snow Plow.**

The equipment you have just purchased should only be used on vehicles equipped with the Manufacturer's Snow Plow Preparation Packages. Snow Plowing without the original Snow Plow Preparation Package may damage your vehicle and the added weight to the equipment may impair the operation and control of the vehicle. Snow Plowing with a vehicle that the manufacturer does not recommend for that purpose may void your new vehicle warranty. If your vehicle is not originally equipped with the Snow Plow Package, additional parts may be necessary before snow plowing. Owners of these vehicles should consult their dealers before purchase or installation of such parts. CAUTION: the installation, on any vehicle, of these parts is not a full substitute for the original equipment Snow Plow Preparation Package.

**Warning: Lift Arm extends beyond bumper of vehicle. To minimize damage from a front-end collision, Lift Arm should be removed from vehicle when Snow Plow is removed.**

**GENERAL INSTRUCTIONS:** Disconnect the vehicle battery or batteries before beginning installation. (Reconnect after installation is complete.) Do not burn holes into or weld pieces onto the vehicle frame. Use extreme caution when drilling any holes in the vehicle to prevent damage to brake lines, fuel lines, wiring, or any other vehicle components. Assemble parts and fasteners "finger tight" until instructions indicate final tightening. After first usage and periodically thereafter, re-tighten all fasteners to correct torque.

**NOTE:** 1/2"-13 GRADE 5 fasteners should be torqued to 75 ft. lbs.  
5/8"-11 GRADE 5 fasteners should be torqued to 150 ft. lbs.  
3/4"-10 GRADE 5 fasteners should be torqued to 250 ft. lbs.

1. **PRELIMINARY:** Jack the vehicle up from under the center of the frame until the front tires just clear the ground. Place jack stands under the frame to prevent accidental lowering of the vehicle. If the vehicle has an air dam, either remove it completely or cut approximately 35" out of the center of it. If the vehicle is equipped with tow hooks, remove and discard the tow hook fasteners and bolting bars from the frame, **(save the tow hooks, they can be reinstalled later)**. Remove and discard the front and lower 14mm bolts holding the body mounts and bumper brackets to each frame rail. Leave the rear 14mm bolt on each side tight to prevent the bumper brackets from moving. Screw a 3/4"-10 jam nut (17) all the way on to each of the 3/4"-10 X 2-1/2" capscrews (15). Place each of the 3/4"-10 X 2"-1/2" capscrew/jam nut assemblies through the hole in the ears just below and behind the lower angle of the front mounting frame (1). The heads of the capscrews (15) should be toward the rear of the vehicle when the front mounting frame (1) is installed. Fasten with a 3/4" lockwasher (16) and jam nut on each capscrew (15). Check bolting bars (3),(4) to be sure threads are clean and bolts will screw into them. If necessary, screw a tap through the threaded holes to clean built up paint or other debris from them.

2. **DRIVER'S SIDE PUSH ARM:** Insert a 3/4"-10 X 1-3/4" "L" head capscrew (12) into the slot on the outside of the driver's side frame rail near the steering box mounting bolt heads. Place a spacer (4) onto the "L" head capscrew (12) installed in the frame rail. Place the hole in the rear ear of the driver's side push arm (2) onto the "L" head capscrew (12) installed in the frame rail. Fasten push arm using a 3/4" lockwasher (14) and 3/4"-10 nut (15).



## PARTICULAR ATTACHMENTS INSTRUCTIONS FOR 81002 PULL AWAY MOUNTINGS

**3. PASSENGER'S SIDE PUSH ARM:** Insert a 3/4"-10 X 1-3/4" "L" head capscrew (12) into the slot on the outside of the passenger's side frame rail just ahead of the spring / shock mounting bracket. Place a spacer (4) onto the "L" head capscrew (12) installed in the frame rail. Place the hole in the rear ear of the passenger's side push arm (3) onto the "L" head capscrew (12) installed in the passenger's side frame rail. Fasten using a 3/4" lockwasher (14) and a 3/4-10 nut (15).

**4. MOUNTING FRAME:** Remove and save the four metric flange nuts holding the bumper brackets to the front end of the vehicle frame rails. Place the upright hanger angles of the mounting frame (1) up behind the front bumper mounting brackets on the frame rails, with the bumper bracket bolts through the holes in the hanger angles. Fasten the mounting frame and bumper to the bumper mounting brackets on the frame rails using the four metric flange nuts removed earlier. Line up the three holes in the front section of each push arm (2),(3) with the holes in the end plates of the push angle of the mounting frame (1). Fasten each of the push arms (2),(3) to the mounting frame (1) using three 1/2"-13 X 1-1/2" capscrews (5), 1/2" lockwashers (6), and 1/2"-13 nuts (7). Remove the jack stands from under the frame and lower the vehicle to the ground.

**5. FASTENERS:** Align the front bumper and the mounting frame (1) so that they are centered with the grill and level with the ground. Tighten the four metric flange nuts holding the bumper brackets and mounting frame (1) to the vehicle frame. Hold the push arms (2),(3) tight against the outside and bottom flange of the frame rails and tighten the 3/4"-10 nuts (15) holding them to the vehicle frame. Using the front holes in the frame mounting section of the push arms (2),(3) as guides, drill a 11/16" DIA. hole through both sides of each boxed frame rail. Attach the push arms (2),(3) through the drilled holes using 5/8"-11 X 4" capscrews (8), 5/8" flatwashers (9), (**on inside surface of the frame rails**), 5/8" lockwashers (10), and 5/8"-11 nuts (11). Use extreme caution when tightening the 5/8"-11 X 4" capscrews (8) to prevent crushing of the boxed frame rails. Adjust the 3/4" capscrews (13) with the 3/4" jam nuts (16) so that the heads of the capscrews are tight against the push angles of the mounting frame. Lock the 3/4" capscrews (13) in place using the rear jam nuts (16). Tighten the 1/2" fasteners holding the push arms (2),(3) to the mounting frame (1).

**6. LIFT FRAME:** Clean paint and burrs from the outside tube ends of the lift frame and the inside surfaces of the receiver tubes of the front mounting frame (1).

**SPECIAL NOTE:** Liberally coat the entire tube ends of the lift frame, the inside surfaces of the receiver tubes and threads of the slack adjusting bolts on the receiver tubes with **chassis or anti-seize lubricant**. Back off the slack adjusting bolts on the receiver tubes until they no longer protrude inside the tubes. Slide the lift frame into the receiver tubes of the front mounting frame (1) until the fastening holes line up. Tighten the slack adjusting bolts on the receiver tubes until the lift frame will just slide in and out of the receiver tubes. Secure the lift frame to the front mounting frame using 5/8" hinge pins (26) and hairpin cotters (27).



7. **LIFT ARM:** Install the lift arm (24) and lift cylinder or electric hydraulic unit onto the lift frame using the 5/8"-11 X 5 1/2" capscrew (25) through the upper lift frame ears and the rear lift arm hole. Place a 5/8"-11 X 4-3/4" capscrew through the front lift arm hole and the ram end of the lift cylinder or electric hydraulic unit. Place a 5/8"-11 X 3-1/4" capscrew through the lower lift frame ears and stationary end of the lift cylinder or electric hydraulic unit. Fasten the three 5/8"-11 capscrews using three 5/8"-11 locknuts (32).

8. **LIFT CHAIN:** Attach each end of the lift chain (40) to the two holes in each of the diagonal braces of the push frame using 7/16" -14 "U" bolts (41), 7/16" lockwashers (43), and 7/16"-14 nuts (42).

9. **PUSH FRAME:** Install the push frame onto the plow blade with the upper and lower pivot holes lined up with the pivot holes in the back of the plow blade. Insert the shorter pivot pin (36) down through the upper pivot holes. Insert the longer pivot pin (39) down through the lower pivot holes. Secure the pivot pins (36),(39) using 1/4" X 2" cotter pins (23).

10. **ANGLE CYLINDERS:** Install the angle cylinders between the push frame and the ears on the back side of the plow blade with the rod end of the cylinders toward the plow blade. The elbows in the ports of the angle cylinders should be between the angle cylinders and the push frame.

**NOTE: When installing the angle cylinders on 8' and 8-1/2' plow blades, place four 1-1/4" flatwashers (30) between each lower push frame ear and the stationary end of each angle cylinder.**

Attach the stationary end of the angle cylinders to the push frame using the two shorter cylinder pins (22). Attach the rod ends of the angle cylinders to the back side of the plow blade using the two longer cylinder pins (44). Secure the cylinder pins using 1/4" X 2" cotter pins (23).

11. **PLOW MARKERS:** Attach each plow marker (33) to the two holes in the upper outer surface of each end rib of the plow blade using two 5/16"-18 X 1" capscrews (35), 5/16" lockwashers (37), and 5/16"-18 nuts (38).

12. **HOOK UP PINS:** Compress each hook up pin spring (50) slightly and place them between the inner most ear and the center ear on each side of the push frame with the hole through the center of each spring lined up with the pin holes in the push frame ears. Insert each hook up pin (48) through the pin hole in each inner most ear of the push frame , through the center of the springs (50), and out through the center and outside ears on each side of the push frame. Compress the hook up pin springs (50) slightly and secure the hook up pins (48) using a 1" snap ring (49) in the snap ring groove of each hook up pin (48). (The **snap rings should be between the end of the spring and the inner surface of each of the center ears on the push frame.**)



**13. PLOW TO VEHICLE ATTACHING:** Pull back and lock the spring loaded hook up pins (48) on each side of the push frame . Attach the lift chain to the lift arm hooks and lift the back end of the push frame up level using the vehicle hydraulics. Line up the spring loaded hook up pins with the corresponding set of holes in the lower part of the mounting frame. Unlock the spring loaded hook up pins so that they go completely through the holes in the mounting frame and the push frame ears. Adjust the lift chain at the lift chain hooks on the lift arm so that the plow blade will lift fully and also be able to follow the ground contour while plowing.

**NOTE:** If the lift chain **does not pull evenly, shorten the longer side by attaching at a different link or at half a link where the chain is attached to the push frame with the 7/16" "U" bolts.**

**14. PUSH FRAME STOP BOLTS:** Screw a 5/8"-11 jam nut (29) all the way onto each of the 5/8"-11 X 3" full thread capscrews (28). Place the capscrew / jam nut assemblies up through the ears on each side of the lower lift frame with the heads of the capscrews down. Fasten with a 5/8" lockwasher (31) and jam nut (29). Adjust the 5/8"-11 X 3" full thread capscrews (28) with the jam nuts (29) so that the heads of the capscrews (28) contact the push frame before the upper pivot section of the push frame contacts the lift arm or the lift cylinder / out front electric hydraulic unit while lifting plow or stacking snow.

**NOTE:** If the push frame is attached to a different set of connecting holes on the mounting frame, the push frame stop **bolts should be checked and may need to be readjusted to prevent the** push frame from contacting the lift arm, or the lift cylinder / out front electric hydraulic unit while lifting plow or stacking snow.

**CAUTION:** CHECK THE TRIPEDGE ADJUSTMENT AT THIS TIME.

A. THE SPRINGS ARE PROPERLY ADJUSTED WHEN A PIECE OF PAPER CAN BE PLACED BETWEEN THE COILS

B. IF THE TRIPEDGE SPRINGS NEED ADJUSTMENT, LOOSEN THE BOTTOM LOCK NUT ON BOTH SPRING ASSEMBLIES. ROTATE THE TOP NUT UNTIL THE SPRINGS ARE PROPERLY ADJUSTED.

C. BE SURE TO TIGHTEN THE BOTTOM LOCK NUT SECURELY ON BOTH ASSEMBLIES TO THE TOP NUT TO PREVENT LOOSENING OF THE ASSEMBLIES.

**NOTICE: DIAMOND EQUIPMENT OR MEYER PRODUCTS ASSUME NO RESPONSIBILITY FOR INSTALLATIONS NOT MADE IN ACCORDANCE WITH THESE INSTRUCTIONS.**

**INSTRUCTIONS ARE SUBJECT TO CHANGE WITH OUT NOTICE.**

