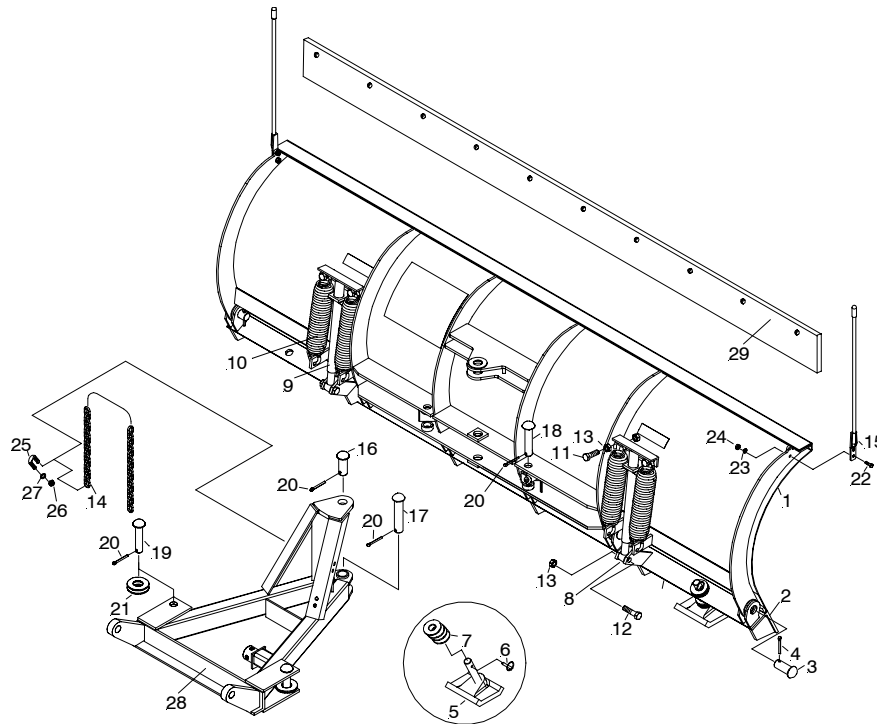




**SNOWPLOWS**  
by Meyer

# MDII™ Blade Assembly

## 6.0', 6.5', 7.0', 7.5', 8.0', 8.5' & 9.0'



### Parts List

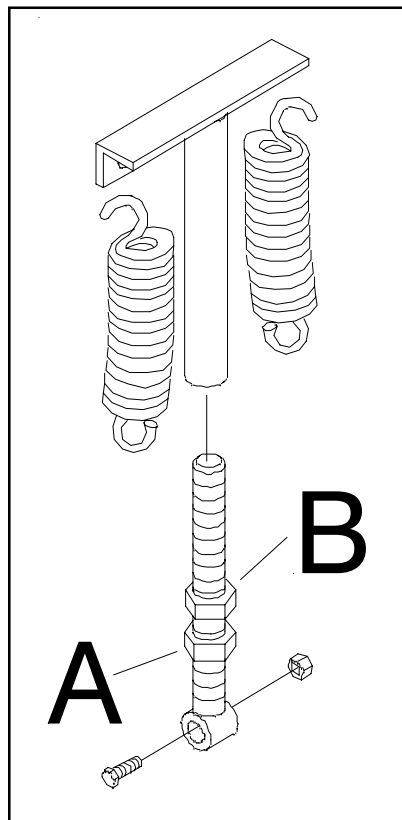
| Item | 84059 (6.0)<br>Part No. | 84057 (6.5)<br>Part No. | 84058 (7.0)<br>Part No. | 84050 (7.5)<br>Part No. | 84051 (8.0)<br>Part No. | 84052 (8.5)<br>Part No. | 84053 (9.0)<br>Part No. | Qty. | Description                       |
|------|-------------------------|-------------------------|-------------------------|-------------------------|-------------------------|-------------------------|-------------------------|------|-----------------------------------|
| 1    | 84069                   | 84067                   | 84068                   | 84060                   | 84061                   | 84062                   | 84063                   | 1    | <b>Moldboard Weld</b>             |
| 2    | 84077                   | 84075                   | 84076                   | 84070                   | 84071                   | 84072                   | 84073                   | 1    | • Trip Edge                       |
| 3    | 81100003003             | 81100003003             | 81100003003             | 81100003003             | 81100003003             | 81100003003             | 81100003003             | 6    | • Pin 1-3/16 x 2-13/16"           |
| 4    | 20420                   | 20420                   | 20420                   | 20420                   | 20420                   | 20420                   | 20420                   | 6    | • Cotter Pin 1/4 x 2"             |
| 5    | 84040                   | 84040                   | 84040                   | 84040                   | 84040                   | 84040                   | 84040                   | 2    | • Wear Shoe Assy.                 |
| 6    | 811000224               | 811000224               | 811000224               | 811000224               | 811000224               | 811000224               | 811000224               | 2    | • Lynch Pin 5/16"                 |
| 7    | 20361                   | 20361                   | 20361                   | 20361                   | 20361                   | 20361                   | 20361                   | 20   | • Washer 1"                       |
| 8    | 811000254               | 811000254               | 811000254               | 811000254               | 81000254                | 811000254               | 811000254               | 2    | • Spring Adjuster Assy.           |
| 9    | 811000251               | 811000251               | 811000251               | 811000251               | 811000252               | 811000252               | 811000252               | 2    | • Spring Bar Assy.                |
| 10   | 12978                   | 12978                   | 12978                   | 12978                   | 07017                   | 07017                   | 07017                   | 4    | • Trip Spring                     |
| 11   | 20141                   | 20141                   | 20141                   | 20141                   | 20141                   | 20141                   | 20141                   | 4    | • Bolt H 5/8-11 x 2" Gr.5         |
| 12   | 20143                   | 20143                   | 20143                   | 20143                   | 20143                   | 20143                   | 20143                   | 2    | • Bolt H 5/8-11 x 2-1/2" Gr. 5    |
| 13   | 20318                   | 20318                   | 20318                   | 20318                   | 20318                   | 20318                   | 20318                   | 10   | • Nut Eslok 5/8-11                |
| 14   | 81504                   | 81504                   | 81504                   | 81504                   | 81504                   | 81504                   | 81504                   | 1    | <b>Common Attaching Kit</b>       |
| 15   | 8511002008059           | 8511002008059           | 8511002008059           | 8511002008059           | 8511002008059           | 8511002008059           | 8511002008059           | 1    | • Chain 5/16" PR Coil 59"         |
|      | 811000095               | 811000095               | 811000095               | 811000095               | 811000095               | 811000095               | 811000095               | 2    | • Plow Marker                     |
|      | 80389                   | 80389                   | 80389                   | 80389                   | 80389                   | 80389                   | 80389                   | 1    | • Hardware Bag                    |
| 16   | 81100003003             | 81100003003             | 81100003003             | 81100003003             | 81100003003             | 81100003003             | 81100003003             | 1    | • Upper Pivot Pin                 |
| 17   | 81100003009             | 81100003009             | 81100003009             | 81100003009             | 81100003009             | 81100003009             | 81100003009             | 1    | • Pivot Pin 1-3/16" x 5-3/8"      |
| 18   | 81900001002             | 81900001002             | 81900001002             | 81900001002             | 81900001002             | 81900001002             | 81900001002             | 2    | • Cylinder Pin                    |
| 19   | 81900001004             | 81900001004             | 81900001004             | 81900001004             | 81900001004             | 81900001004             | 81900001004             | 2    | • Cylinder Pin 1" x 4-34"         |
| 20   | 20420                   | 20420                   | 20420                   | 20420                   | 20420                   | 20420                   | 20420                   | 6    | • Cotter Pin 1/4" x 2"            |
| 21   | 20363                   | 20363                   | 20363                   | 20363                   | 20363                   | 20363                   | 20363                   | 4    | • Flatwasher 1-1/4"               |
| 22   | 8500003035              | 8500003035              | 8500003035              | 8500003035              | 8500003035              | 8500003035              | 8500003035              | 4    | • Bolt H 5/16-18 x 1"             |
| 23   | 8507001010              | 8507001010              | 8507001010              | 8507001010              | 8507001010              | 8507001010              | 8507001010              | 4    | • Lockwasher 5/16"                |
| 24   | 8501001003              | 8501001003              | 8501001003              | 8501001003              | 8501001003              | 8501001003              | 8501001003              | 4    | • Nut 5/16-18                     |
| 25   | 8518001026              | 8518001026              | 8518001026              | 8518001026              | 8518001026              | 8518001026              | 8518001026              | 2    | • U-Bolt 7/16-14                  |
| 26   | 8501001007              | 8501001007              | 8501001007              | 8501001007              | 8501001007              | 8501001007              | 8501001007              | 4    | • Nut 7/16-14                     |
| 27   | 8507001012              | 8507001012              | 8507001012              | 8507001012              | 8507001012              | 8507001012              | 8507001012              | 4    | • Lockwasher 7/16"                |
|      | 817000104               | 817000104               | 817000104               | 817000104               | 817000104               | 817000104               | 817000104               | 2    | <b>Cylinder Collar (Optional)</b> |
| 28   | 81026                   | 81026                   | 81026                   | 81026                   | 81026                   | 81026                   | 81026                   | 1    | <b>Push Frame</b>                 |
|      | 8CE6.0                  | 8CE6.5                  | 8CE7.0                  | 8CE7.5                  | 8CE8.0                  | 8CE8.5                  | 8CE9.0                  | 1    | <b>Cutting Edge (Optional)</b>    |
|      | 8CE/BB                  | 8CE/BB                  | 8CE/BB                  | 8CE/BB                  | 8CE/BB                  | 8CE/BB                  | 8CE/BB                  | 1    | <b>Cutting Edge Bolt Bag</b>      |

Parts indented are included in the assembly under which they are indented.

Diamond Equipment reserves the right, under its continuing product improvement program, to change construction or design details, specifications and prices without notice or without incurring any obligation.

**CAUTION: CHECK THE TRIPEDGE ADJUSTMENT AT THIS TIME.**

- A. THE SPRINGS ARE PROPERLY ADJUSTED WHEN A PIECE OF PAPER CAN BE PLACED BETWEEN EACH COIL.
- B. IF THE TRIPEDGE SPRINGS NEED ADJUSTMENT, LOOSEN THE BOTTOM LOCK NUT (A) ON BOTH SPRING ASSEMBLIES. ROTATE THE TOP NUT (B) UNTIL THE SPRINGS ARE PROPERLY ADJUSTED.
- C. BE SURE TO TIGHTEN THE BOTTOM LOCK NUT SECURELY ON BOTH ASSEMBLIES TO THE TOP NUT TO PREVENT LOOSENING OF THE ASSEMBLIES.



**Spring Assembly**