

SERVICE BULLETIN NO. 5

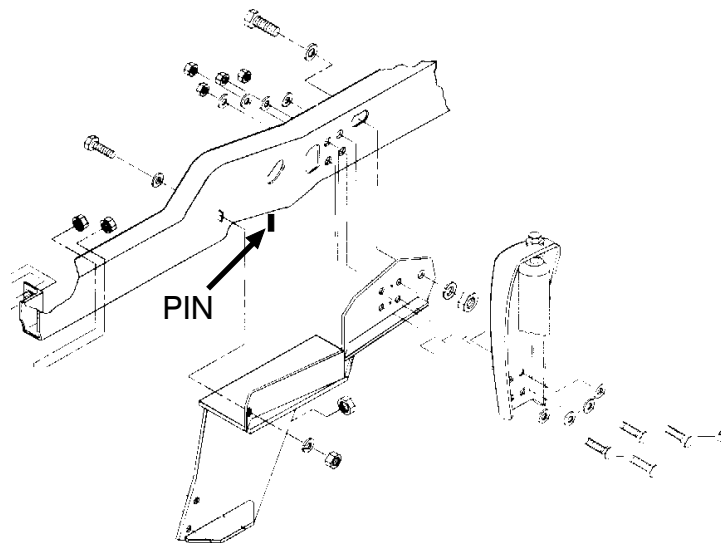
1992 - Ford 350 4x4 Vehicles

Frame Attachment

KIT NO. 81004

Some Ford F-350 vehicles with single rear wheels are being produced that have "stacking pins" protruding from the bottom flange of the frame rails back behind the radiator web mounting brackets. These "stacking pins" can prevent the Part Number 815000 103 (driver's - side) and Part Number 815000 104 (passenger's - side) push arms from fitting properly.

To install push arms onto vehicles that have "stacking pins" in the frame, either cut the pins off flush with the bottom of the frame rails or drill clearance holes in the horizontal frame plates of the push arms for the pins to pass through.



Diamond Equipment assumes no responsibility for installations not made according to these instructions

Diamond Equipment reserves the right, under its continuing product improvement program, to change construction or design details, specifications and prices without notice or without incurring any obligation.