

DIAGNOSTIC FLOW CHART FOR E-46, E-47 and E-57 ELECTRO LIFT® UNITS

These charts are intended to be used as an aid in diagnosing problems on the Electro Lift® units. They are not a substitute for factory training and experience. Be certain to read the General Information and Testing Tips sections before attempting any troubleshooting.

General Information

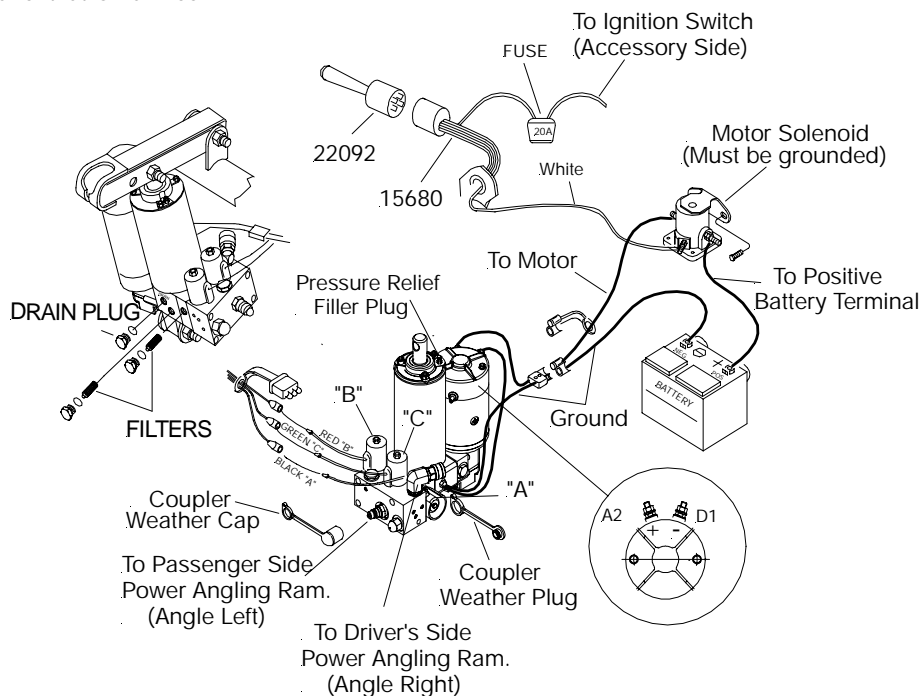
Before any troubleshooting is started, make certain the following conditions are met.

1. The moldboard is pointing straight ahead. This can often be done by coupling the left cylinder into the right cylinder and pushing the moldboard by hand.
2. The power angling cylinders must be installed correctly on to the A- frame. The left cylinder (Driver's side) has a hose attached with a male half of a coupler at the end; the right cylinder (Passenger side) has a hose attached with a female half of a coupler at the end.
3. The solenoid coils must be on their proper valve. The "C" coil (green wire) must be next to angling fittings. The "B" coil (red wire) is located to the front of the Electro Lift® Unit. The "A" coil (black wire) is smaller and is located on the back side of the unit. (See Drawing).

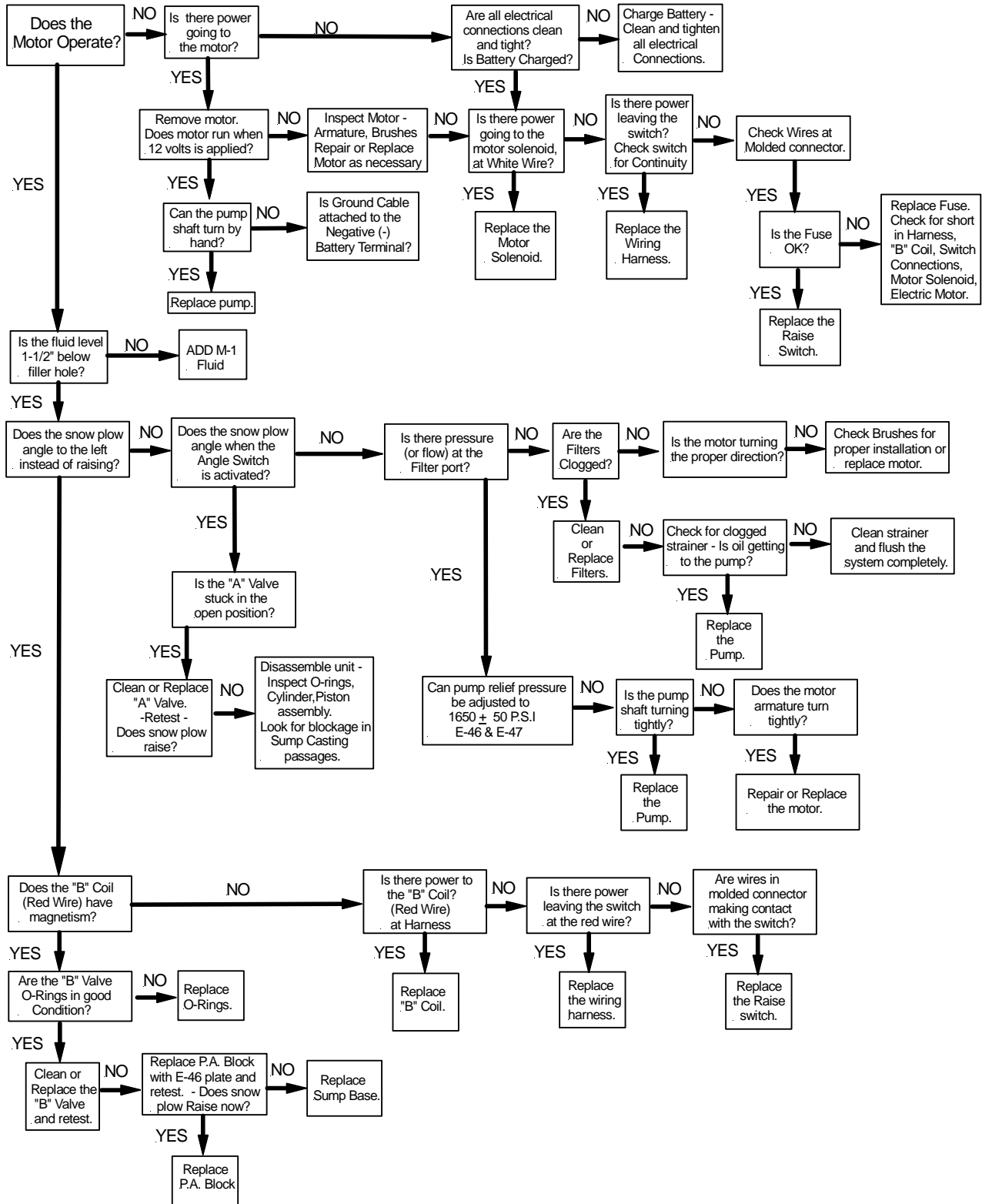
TESTING TIPS

Many tests do not require removing the Electro Lift® unit from the vehicle. However, more thorough testing can be performed using the Meyer Test Stand which allows direct pressure and amperage readings.

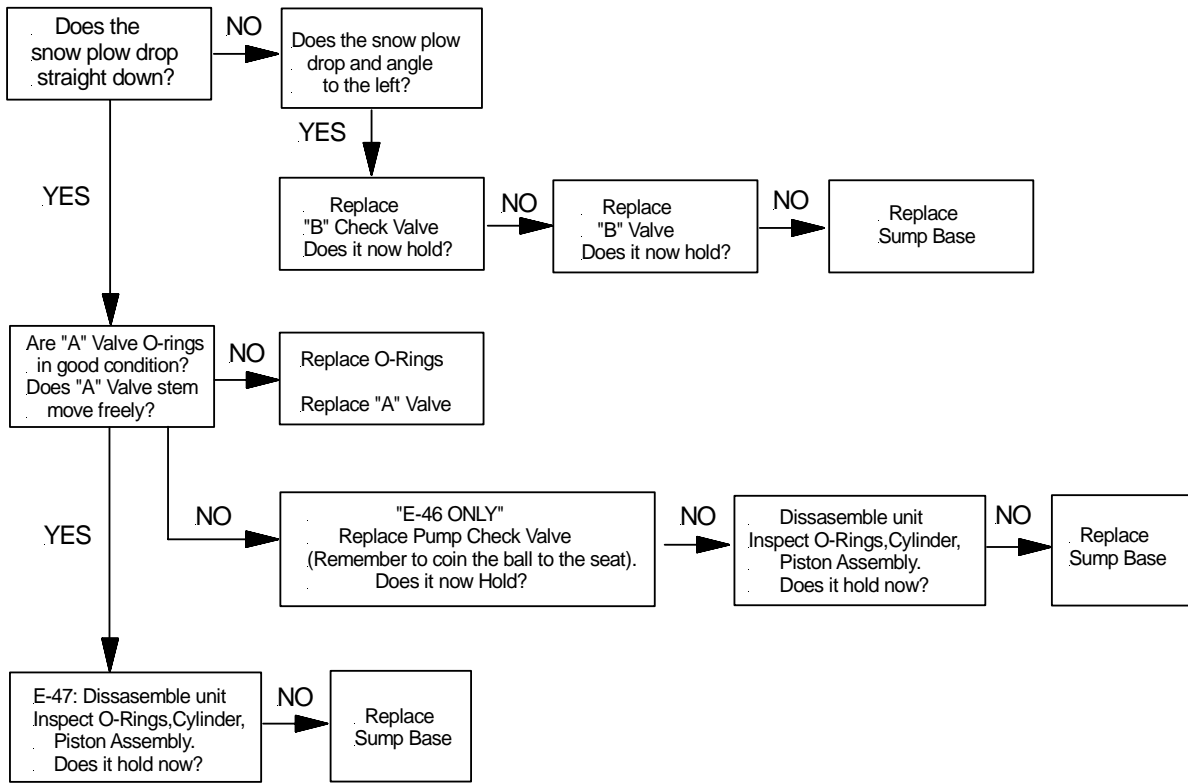
1. Using a screwdriver or other small tool to check for magnetism of the solenoid coils "A", "B", "C". Place the tool on the nut securing the coil and have an assistant operate the switch. You should feel strong magnetic attraction.
2. Use a test light or volt meter to determine whether there is power at the harness or switch.
3. When determining AMP draw of the motor, always obtain the highest value possible, i.e. at maximum raise or maximum angle with motor running.
4. Proper rotation for the 3" motor (American Bosch) is indicated by an arrow located on top side of the (Part # 15026) pump.
5. The pump shaft of a good pump can be turned smoothly using two fingers. If it can't be turn easily, the pump is too tight and must be replaced.
6. Pump pressure can be measured at an angle hose (note pressure at full angle) or in the pressure filter port (an adaptor is necessary for the filter port). Note: The E-57 Electro Lift® Unit has a non adjustable pressure relief valve.
7. Flush the complete system including unit, hoses and power angling rams with a non wax (Naphthenic) cleaner. If kerosene (Parrafinic) is used to flush the system, the system must be flushed again to remove any kerosene with a (Naphthenic) based cleaner that is wax free.



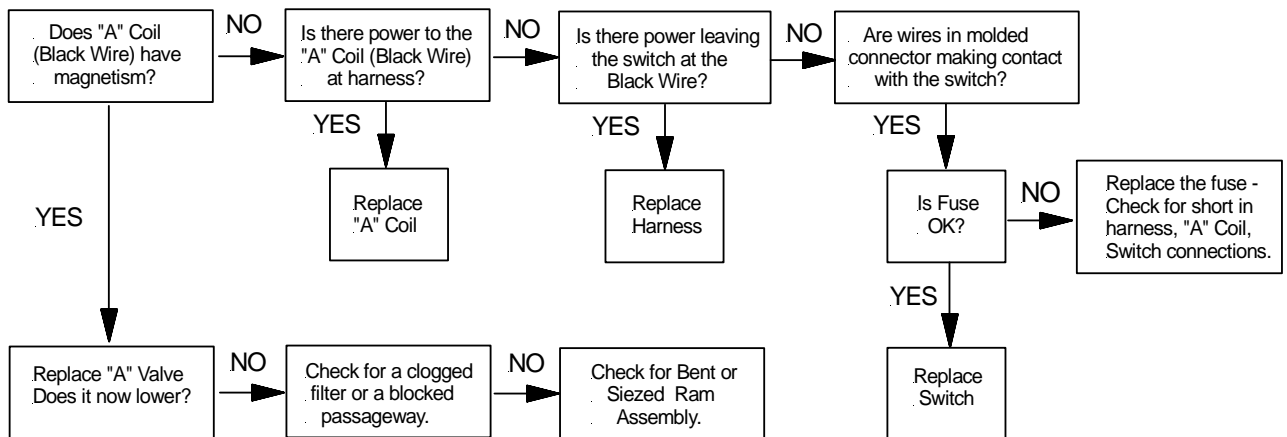
SNOW PLOW WILL NOT RAISE



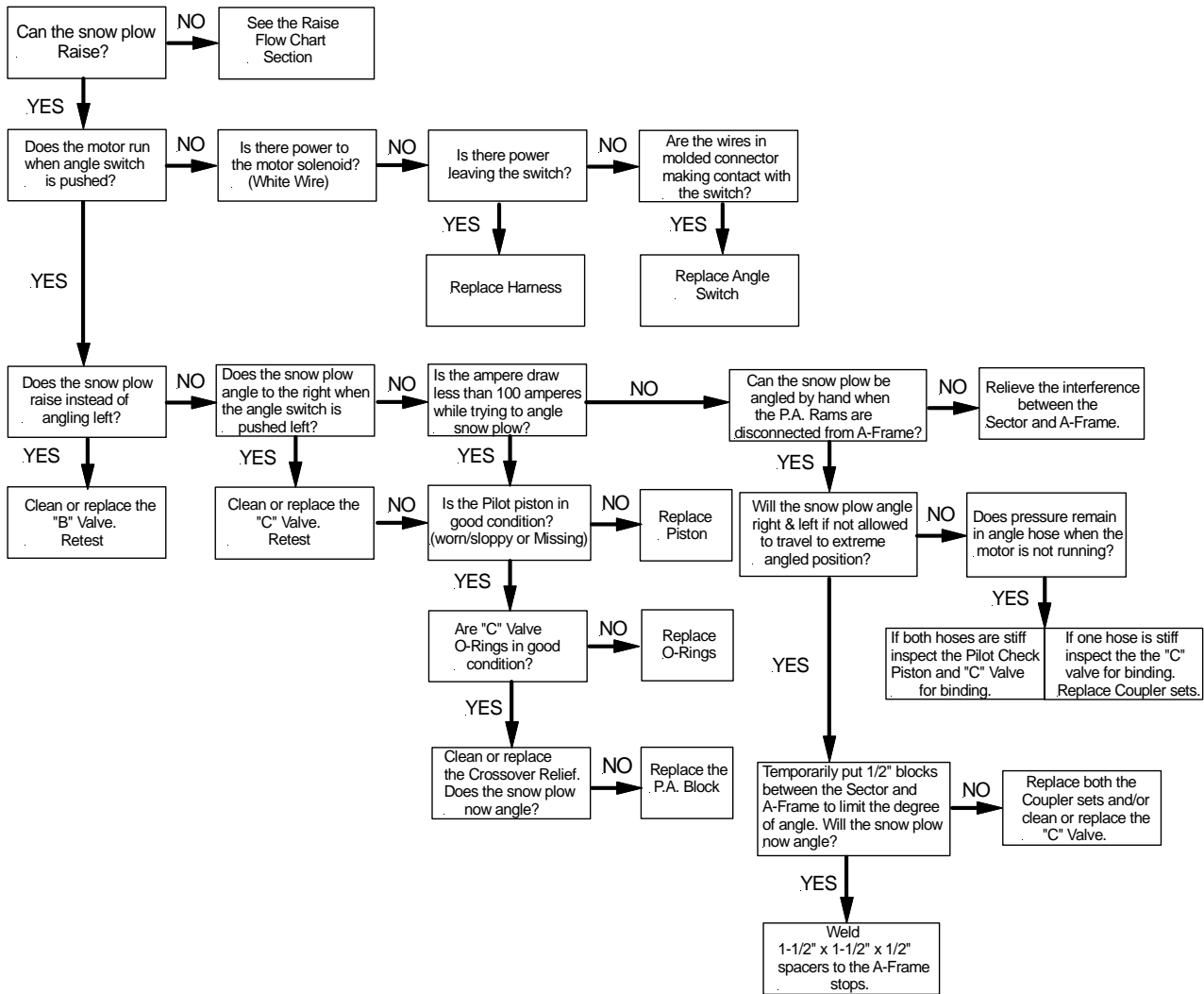
SNOW PLOW LEAKS DOWN



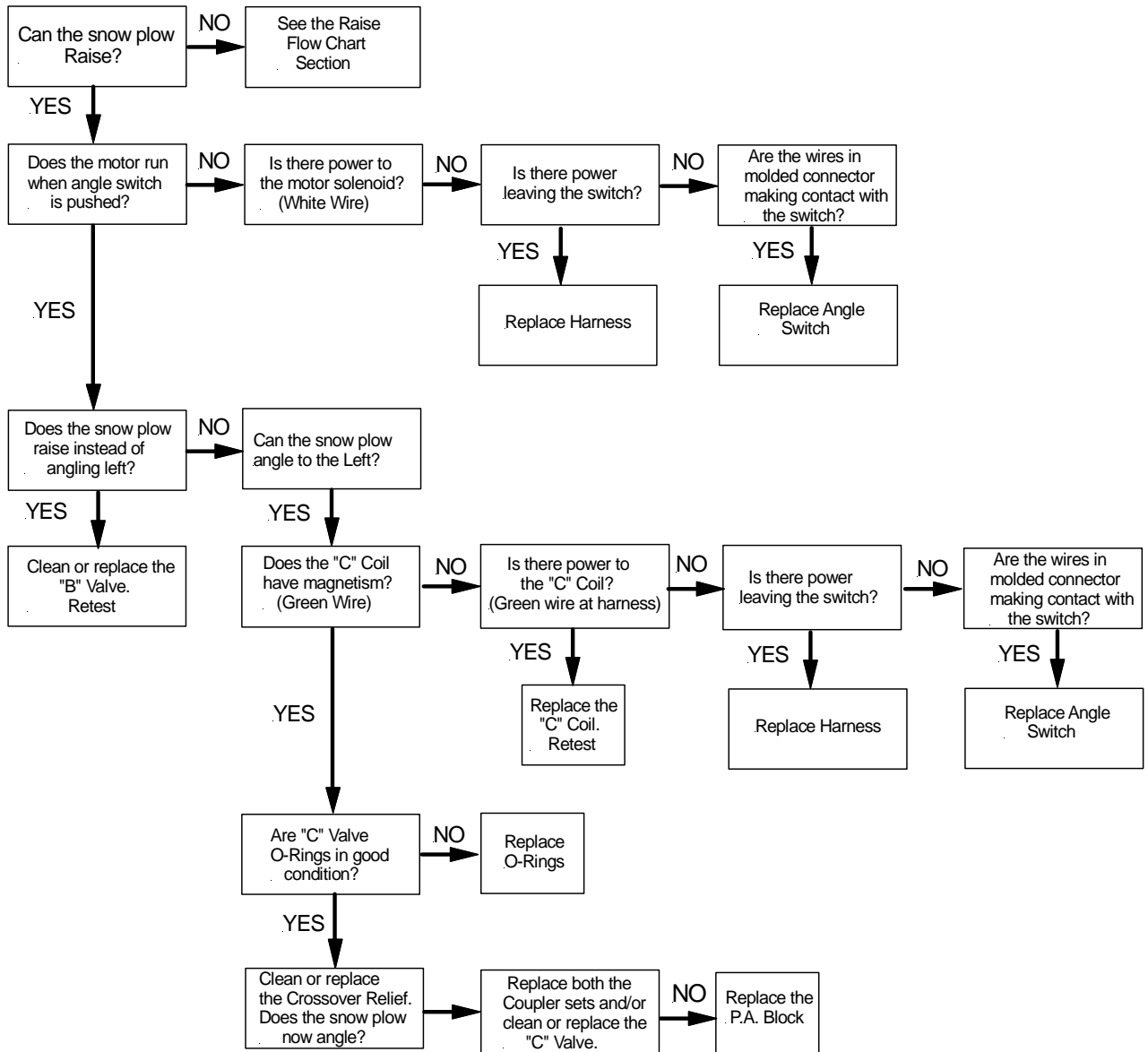
SNOW PLOW WILL NOT LOWER



SNOW PLOW WILL NOT ANGLE LEFT



SNOW PLOW WILL NOT ANGLE RIGHT



SNOW PLOW WILL NOT HOLD ANGLE

