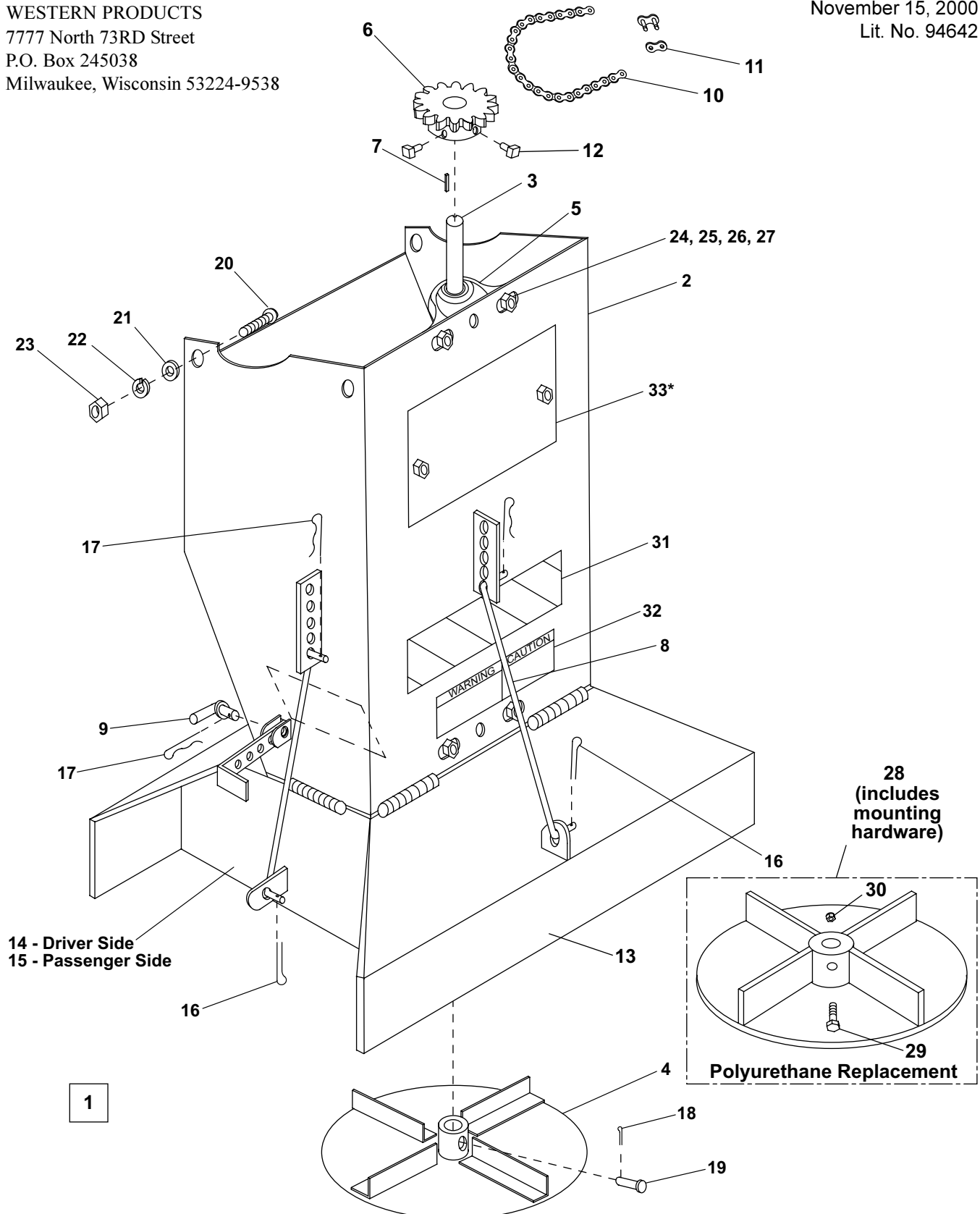




# High Capacity Chute Assembly Parts List - 65621, 65622, 68920, 68921

WESTERN PRODUCTS  
7777 North 73RD Street  
P.O. Box 245038  
Milwaukee, Wisconsin 53224-9538

November 15, 2000  
Lit. No. 94642



This parts list is for WESTERN® Hopper Spreaders with serial numbers 4583 and higher.

- over -

# High Capacity Chute Assembly Parts List - 65621, 65622, 68920, 68921

High Capacity Chute Assembly Parts List							
Item	Part	Qty	Description	Item	Part	Qty	Description
1	65621	1	Chute Assembly – 19” High Capacity Mild Steel	15	68874	1	Baffle Kit, Passenger Side Mild Steel
1	68921	1	Chute Assembly – 19” High Capacity Stainless Steel	15	68875	1	Baffle Kit, Passenger Side Stainless Steel
1	65622	1	Chute Assembly – 31” High Capacity Mild Steel	16	91901	3	1/8” x 3/4” Cotter Pin
1	68920	1	Chute Assembly – 31” High Capacity Stainless Steel	17	91959	5	3/32” x 2-1/4” Hairpin Cotter
2	65631	1	Chute Housing Assembly – 19” High Capacity Mild Steel	18	91896	1	1/16” x 1/2” Cotter Pin
2	94384	1	Chute Housing Assembly – 19” High Capacity Stainless Steel	19	92997	1	1/4” x 2” Clevis Shear Pin
2	65632	1	Chute Housing Assembly – 31” High Capacity Mild Steel	20	90201	4	3/8”-16 x 1” Carriage Bolt Zinc Plated
2	94383	1	Chute Housing Assembly – 31” High Capacity Stainless Steel	20	90375	4	3/8”-16 x 1” Carriage Bolt Stainless Steel
3	65633	1	Spinner Shaft High Capacity 19” Chute	21	91103	4	3/8” Plain Washer Zinc Plated
3	65634	1	Spinner Shaft High Capacity 31” Chute	21	91123	4	3/8” Plain Washer Stainless Steel
4	65635	1	Spinner Disk, High Capacity Mild Steel	22	91203	4	3/8” Lock Washer Zinc Plated
4	94319	1	Spinner Disk, High Capacity Stainless Steel	22	91282	4	3/8” Lock Washer Stainless Steel
5	65636	2	1” Pillow Block Bearing	23	91413	4	3/8”-16 Hex Nut Zinc Plated
6	65637	1	Sprocket, #40 x 24T x 1” ID	23	91431	4	3/8”-16 Hex Nut Stainless Steel
7	65174	1	Machine Key, 1/4” Square x 1.5”	24	94321	4	7/16”-14 x 1-1/2” Carriage Bolt
8	65199	3	Control Rod – 10”	25	94322	4	7/16” Plain Washer Stainless Steel
9	65206	2	Adjustment Pin	26	94323	4	7/16” Lock Washer Stainless Steel
10	68431	1	#40 Roller Chain, 30-1/2” Long with Master Link	27	94324	4	7/16”-14 Hex Nut Stainless Steel
11	92980	1	#40 Roller Chain Master Link	28	94513	1	Spinner Kit (Polyurethane)
12	68843	1	Parts Bag – Spinner Set Screws	29	94498	1	1/4”-20 x 2-1/4” Hex Cap Screw Stainless Steel
13	68817	1	Baffle Kit, Rear – High Capacity Mild Steel	30	67076	1	1/4”-20 Hex Locknut Stainless Steel
13	68818	1	Baffle Kit, Rear – High Capacity Stainless Steel	31	68737	1	Reflective Strip – Red/White
14	68900	1	Baffle Kit, Driver Side – Mild Steel	32	68595	1	Label – Warning/Caution
14	68901	1	Baffle Kit, Driver Side Stainless Steel	33*	65640	1	Access Panel Mild Steel
				33*	94320	1	Access Panel Stainless Steel

\* = 31” Chute Only

Copyright© 2000 Douglas Dynamics, L.L.C. All rights reserved. This material may not be reproduced or copied, in whole or in part, in any printed, mechanical, electronic, film or other distribution and storage media, without the written consent of Western Products. Authorization to photocopy items for internal or personal use by Western Products outlets is granted.

Western Products reserves the right under its product improvement policy to change construction or design details and furnish equipment when so altered without reference to illustrations or specifications used herein. Western Products and the vehicle manufacturer may require and/or recommend optional equipment for hopper spreaders. Western Products offers a limited warranty for all hopper spreaders and accessories. See separately printed page for this important information. The following is a registered® trademarks of Douglas Dynamics, L.L.C.: WESTERN®.

Printed in USA