

## PARTS & INSTALLATION INSTRUCTIONS

### MEYER SNOW PLOW MOUNTING

### DODGE W MODEL 4WD TRUCKS, RAMCHARGER AND PLYMOUTH TRAILDUSTER 1972 AND LATER (4000 lb. Front Axle)

#### IMPORTANT NOTICE

**End user must be given this instruction sheet prior to delivery of this Snow Plow.**

The equipment you have just purchased should only be used on vehicles equipped with the Manufacturer's Snow Plow Preparation Packages. Snow Plowing without the original Snow Plow Preparation Package may damage your vehicle and the added weight to the equipment may impair the operation and control of the vehicle. Snow Plowing with a vehicle that the manufacturer does not recommend for that purpose may void your new vehicle warranty. If your vehicle is not originally equipped with the Snow Plow Package, additional parts may be necessary before snow plowing. Owners of these vehicles should consult their dealers before purchase or installation of such parts. CAUTION: the installation, on any vehicle, of these parts is not a full substitute for the original equipment Snow Plow Preparation Package.

**Warning: Lift Arm extends beyond bumper of vehicle. To minimize damage from a front-end collision, Lift Arm should be removed from vehicle when Snow Plow is removed.**

#### PARTS LIST

Item	Part No.	QTY	Description		
	17090	1	<b>MOUNTING CARTON</b>		
1	10426	1	• Sidemember, R.H.		
2	11185	1	• Sidemember, L.H.		
3	11270	1	• Clevis Frame		
4	11266	2	• Strap		
5	10514	1	• Lift Arm		
6	11544	2	• Receiver Tube Cap		
	08598	1	• <b>HARDWARE BAG</b>		
7	11006	2	•• Hinge Pin		
8	20073	6	•• Bolt H 7/16-14 x 1-1/2" Gr. 5		
9	20140	6	•• Bolt H 5/8-11 x 1-3/4" Gr. 5		
10	20144	1	•• Bolt H 5/8-11 x 2-3/4" Gr. 5		
11	20146	2	•• Bolt H 5/8-11 x 3-1/4" Gr. 5		
12	20164	6	•• Bolt H 3/4-10 x 2" Gr. 5		
13	20306	6	•• Locknut 7/16-14		
14	20309	9	•• Locknut 5/8-11		
15	20310	6	•• Locknut 3/4-10		
16	20354	8	•• Flatwasher 7/16"		
17	20357	4	•• Flatwasher 5/8"		
18	21260	4	•• Flatwasher 3/4"		
19	21984	2	•• Hair Pin Cotter		
20	11255	1	<b>LIFT FRAME (Tubular)</b>		
<b>11 " Sector</b>			<b>15" Sector</b>		
Item	Part No.	Qty.	Part No.	Qty.	Description
	16505	1	16504	1	<b>SECTOR &amp; A-FRAME CARTON</b>
	12326	1	12793	1	• Sector
	13612	1	13608	1	• A-Frame
	07017	3	07017	4	• Trip Spring
	09916	1	09916	1	• Snow Plow Marker Kit
	08166	1	08341	1	• <b>PLOW HARDWARE BAG</b>
	09119	2	09119	2	•• Pivot Pin w/Cotter Pin
22	11101	2	11101	2	•• Hinge Pin
23	22083	2	22083	2	•• Linch Pin
	09122	1	09125	1	•• King Bolt w/Locknut
	09124	3	09124	4	•• Eye Bolt w/Locknuts

Parts indented are included in the carton, bag or assembly under which they are indented.

Meyer Products reserves the right, under its continuing product improvement program, to change construction or design details, specifications and prices without notice or without incurring any obligation.

# GENERAL INFORMATION

**CAUTION:** Always disconnect battery before beginning installation.

**DO NOT BURN** holes or **WELD** vehicle frame. This may cause frame failure.

After first use, retighten all mounting bolt connections to specified torque. All mounting bolt connections to be checked periodically for tightness.

Locknuts are furnished **DO NOT** tighten bolts and nuts until installation is complete (unless otherwise specified), then be sure to tighten all attaching parts per specified torque chart.

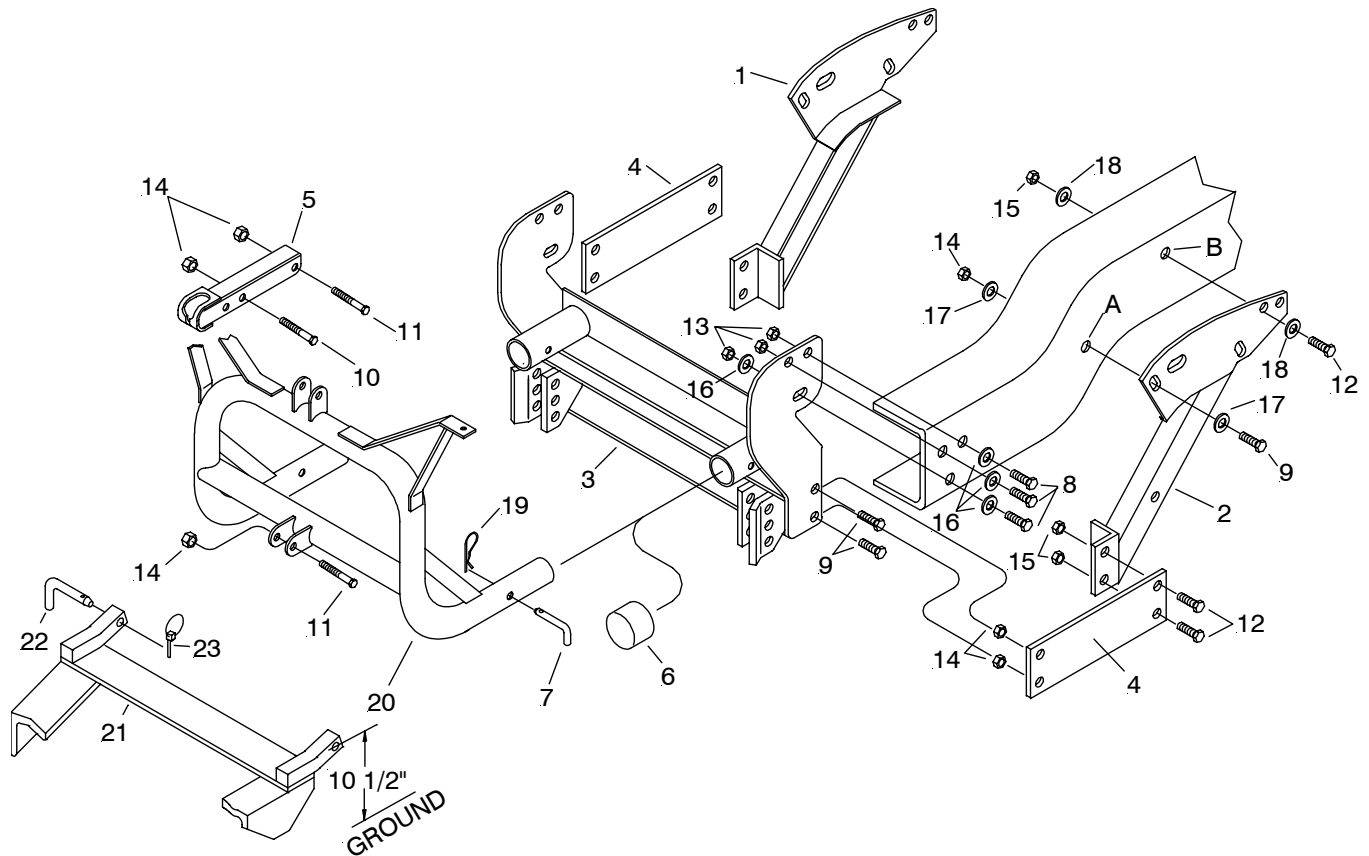
**NOTE:** It is important that the Meyer harness, all wires from the Meyer light switch, and all other electrical wires be routed around hot or moving engine parts, and any sharp metal. Protection must be provided to guard against wire damage at these points. All excess or loose wires must be neatly secured using wire ties.

Check contents against the parts list to determine all are correct and included, and also to familiarize yourself with them.

**SAFETY PRECAUTIONS** should be used when **Hydraulic Unit is in OPERATION** and plow is in a **RAISED** position. **Lower plow to ground when vehicle is PARKED.**

**OVERHAUL** and **SERVICE INFORMATION** are covered on separate instructions.

Follow these instructions explicitly. Warranty does not apply to a Meyer product which has been negligently or improperly assembled or installed.



# INSTALLATION INSTRUCTIONS

- A. Remove the front bumper by removing three bolts at vehicle frame for both the L.H. (driver) and R.H. (passenger) side bumper support brackets. Retain all hardware. These bolts will not be reused.
- B. Slide clevis frame (3) and bumper onto vehicle frame. Attach using 7/16-14 x 1-1/2" bolts (8), flatwashers (16), and locknuts (13). Do not tighten at this time.
- C. Attach sidemembers (1 & 2) to vehicle frame at hole "A" using 5/8-11 x 1-3/4" bolts (9), flatwashers (17), and locknuts (14), then to hole "B" using 3/4-10 x 2" bolts (12), flatwashers (18), and locknuts (15). **Note: Hole "B" may need to be reamed to 3/4". Do not tighten at this time.**

**Caution :** Prior to attaching straps (4) check illustration for proper strap placement.

- D. Attach straps (4) to clevis frame (3) using 5/8-11 x 1-3/4" bolts (9) and locknuts (14). Attach other end of straps (4) to sidemembers (1 & 2) using 3/4-10 x 2" bolt (12) and locknut (15). Do not tighten at this time.
- E. **Note :** Before tightening the fasteners, the clevis frame should be pushed back as far as possible under the vehicle. Tighten all fasteners to their proper torque. Tighten bolts in the same order they were assembled to the vehicle.

**Important Notice :** Prior to the installation of lift frame (20), it will be necessary to identify the lift frame being installed. Current production lift frames have additional stops (part no. 10626) tack welded to the existing stops (See illustration .) Earlier production lift frames will not have these stops. Depending upon the S.A.F. carton being installed, additional stops may need to be added or removed.

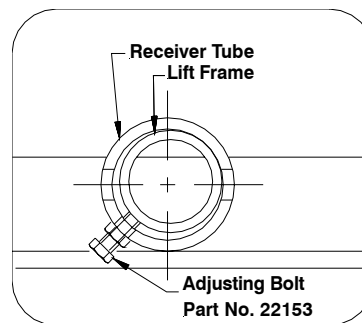
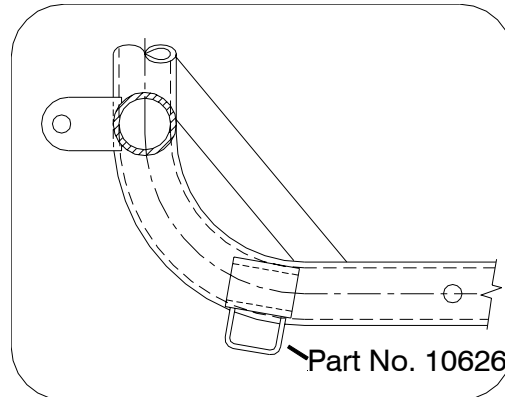
- F. When installing S.A .F . carton 16504/16505, lift frame should NOT have additional stops (part no. 10626) .

**Note:** Before installing lift frame tubing to clevis frame, liberally coat ends of lift frame with chassis / grease Anti-seize Lubricant.




- G. Install lift frame (20) into tubes on the clevis frame (3). Secure lift frame (20) to the clevis frame (3) using hinge pin (7) and hair pin cotter (19).
- H. Attach lift arm (5) to lift frame (20) using 5/8-11 x 3-1/4" bolt (11) and locknut (14) . Mount Electro-Touch unit to lift frame (20) with 5/8-11 x 3-1/4" bolt (11) and locknut (14), and to lift arm (5) using 5/8-11 x 2-3/4" bolt (10) and locknut (14). See Warning.
- I. Install hydraulic system and snow plow lights per separate instructions.
- J. Pre-assemble moldboard assembly, A-Frame (21), sector, etc., per separate instructions .
- K. Connect the A-Frame (21) to the clevis frame (3) using hinge pins and linch pin (22 & 23).

- L. Hook the A-frame chain to lift arm (5) allowing sufficient slack to enable the moldboard to follow ground contour while plowing.

**Note:** When the lift frame module (20) is removed from the vehicle, the insides of the clevis frame (1) receiver tubes and outside ends of the lift frame should be coated with chassis grease / anti-seize lubricant and the protective receiver tube caps (6) installed over the clevis frame receiver tubes.



## TORQUE CHART FOOT LBS.

Bolt Nut Size	Gr. 2 	Gr. 5 	Gr. 8 
1/4 - 20	4 - 5		
5/16 - 18	9 - 11		
3/8 - 16	17 - 20		
7/16 - 14		26 - 29	
1/2 - 13		42 - 46	60 - 66
5/8 - 11		127 - 141	179 - 198
3/4 - 10		227 - 251	

Meyer Products assumes no responsibility for installations not made in accordance with these instructions.