

BOSS PRODUCTS
A Division of Northern Star Industries, Inc.
P.O. Box 787 Iron Mountain MI 49801-0787
www.bossplow.com

**1988 - 2000 CHEVROLET
(CLASSIC BODY STYLE)
SPORT DUTY UNDERCARRIAGE
MOUNTING INSTRUCTIONS
(PART NO. LTA05455)**

WARNING

Many newer trucks are now equipped with air bags. DO NOT under any circumstances disable, remove or relocate any sensors or other components related to the operation of the air bags.

For recommended vehicle models refer to the Boss Snowplow Application Chart and Selection Guide.

To comply with Federal Regulations and to assure a safe vehicle, the Front Gross Axle Weight Rating (FGAWR), Rear Gross Axle Weight Rating (RGAWR), and the Gross Vehicle Weight Rating (GAWR) must not be exceeded at any time.

Due to the variety of equipment that can be installed on this vehicle, it is necessary to verify that the Front Gross Axle Weight Rating (FGAWR), Rear Gross Axle Weight Rating (RGAWR), and the Gross Vehicle Weight Rating (GAWR) are not exceeded at any time. This may require weighing the vehicle and adding ballast as necessary. It may also limit payload capacity of the vehicle. It is the operator's responsibility to verify that these ratings are not exceeded.

1988 - 2000 CHEVROLET (CLASSIC BODY STYLE) SPORT DUTY UNDERCARRIAGE MOUNTING INSTRUCTIONS

The mounting procedure outlined below covers Chevrolet Classic Body Style (1988 - 2000) ½ ton trucks. You will need to refer to the illustrations and familiarize yourself with each of the undercarriage components and their relative position to each other. Then proceed as follows:

1. Remove the three bumper mounting bolts on each frame rail. Remove tow hooks if present, and the corresponding tapped plate inside the frame rail. Insert the NUT PLATES (62C) into the front frame rails. Position the PUSH BEAM SUPPORT PLATES (62A and 62B) to the front frame rails of the truck. Using M14 x 2.00 Hex Head Bolts (D) and M14 Lock Washers (E) provided, bolt the PUSH BEAM SUPPORT PLATES (62A and 62B) through the outside of the frame sides. Next use the ½" – 13 x 3" Hex Head Bolts (C) and the ½" Flat Washers (F) to bolt the PUSH BEAM SUPPORT PLATES (62A and 62B) through the bottom of the frame into the NUT PLATES (62C). If the truck is equipped with tow hooks, it will be necessary to re-install the right hook on the left side of the truck and the left hook on the right side of the truck. Tow hooks should be installed below the PUSH BEAM SUPPORT PLATES (62A and 62B). Fasteners should only be finger tight.
2. Remove the four existing bolts holding the skid plate in place on the vehicle. Use the same four hex head bolts to mount the ANGLE BRACKET (75) into place on the outside of the skid plate. Fasteners should only be finger tight.
3. Bolt the PUSH BEAM (62) in place using the ½" – 13 x 1- ½" Hex Head Bolts (A) and self locking nuts provided. Fasteners should only be finger tight. NOTE: the proper height adjustment for the PUSH BEAM is approximately 14- ½" from the ground to the center of the PUSH BEAM pin receiving hole (see Figure 2).
4. With all undercarriage parts in place, securely fasten all mounting hardware. It is important that all fasteners be properly torqued (see Figure 3) to assure a safe operating plow.

**CLASSIC BODY STYLE
1988 - 2000 CHEVROLET
SPORT DUTY UNDERCARRIAGE
INSTALLATION PROCEDURE**

REF. NO.	DESCRIPTION	PART NO.	QTY.
62	Push Beam Assembly	PBA05456	1
62A	Push Beam Support Plate (RH)	PBA02227	1
62B	Push Beam Support Plate (LH)	PBA02228	1
62C	Nut Plate	LTA04178	2
75	Angle Bracket	LTA02226	1
	FASTENER KIT, CHEVY 88-00	HDW01789	1
Includes:			
A	1/2" - 13 x 1- 1/2" Hex Head Bolt	HDW01728	12
B	1/2" - 13 Hex Head Self Locking Nut	HDW01748	12
C	1/2" - 13 x 3" Hex Head Bolt	HDW05508	4
D	M14 x 2.00 x 50 MM Hex Head Bolt	HDW01795	6
E	M14 Lock Washer	HDW01796	6
F	1/2" Flat Washer	HDW05501	4
G	5/8" - 11 x 1- 1/2" Hex Head Bolt	HDW01727	2
H	5/8" - 11 Hex Head Self Locking Nut	HDW01709	2
I	5/8" Hardened Washer	HDW01726	2

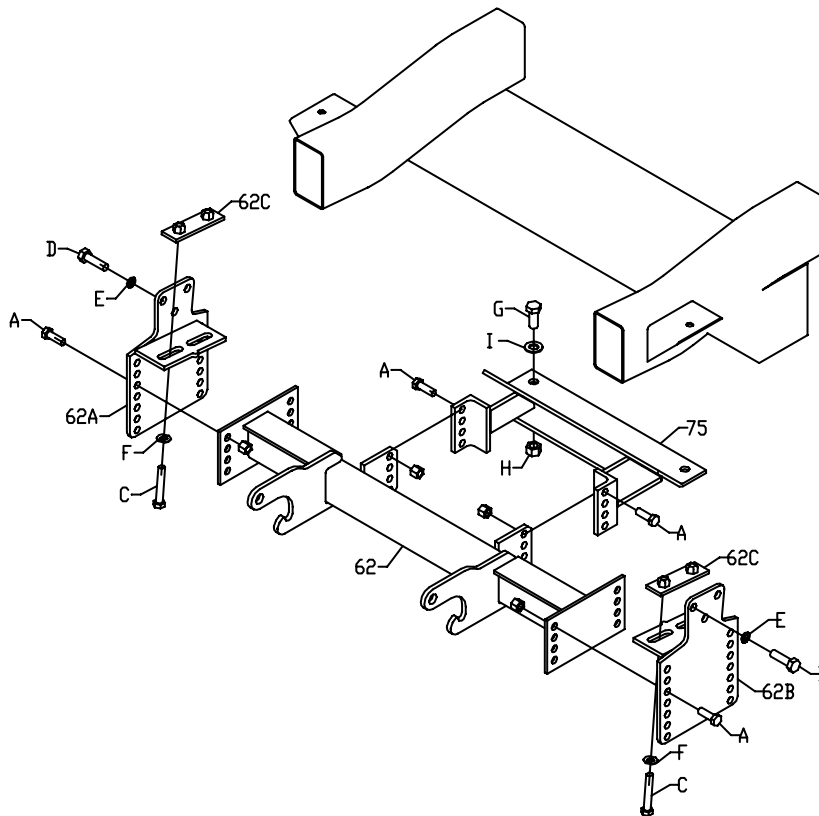


Figure 1

G10432

RECOMMENDED PUSHBEAM HEIGHT

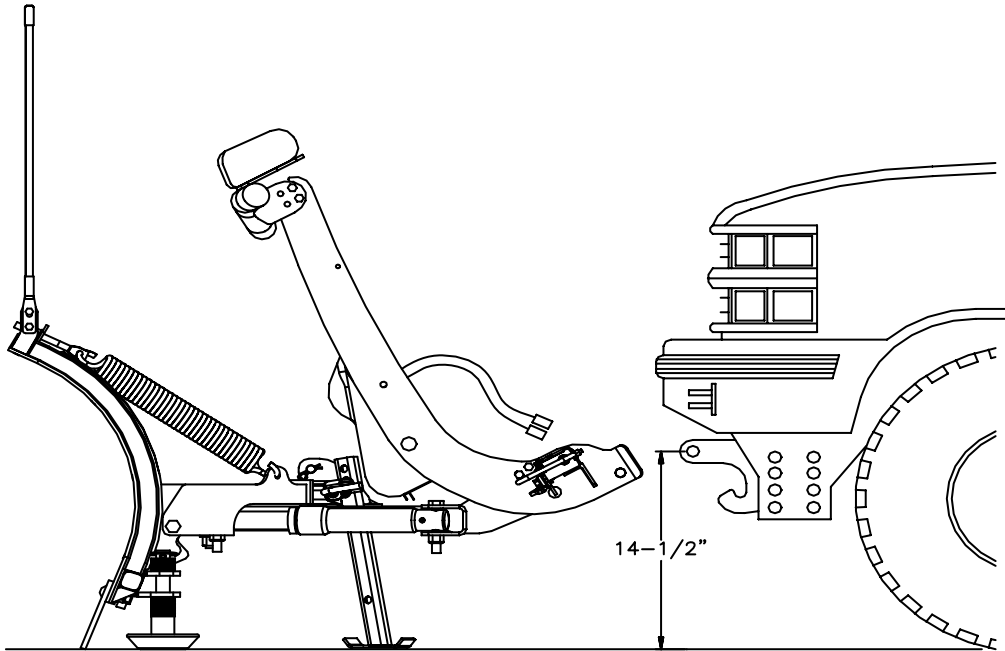


Figure 2

G10299

GUIDE TO RECOMMENDED ASSEMBLY TORQUE



DIAMETER / PITCH	GRADE 5	GRADE 8	GRADE 8.8	GRADE 10.9
1/4-20	6	9		
5/16-18	14	19		
3/8-16	23	33		
7/16-14	38	53		
1/2-13	56	80		
9/16-12	82	116		
5/8-11	113	159		
3/4-10	201	283		
M10 X 1.25			36	
M10 X 1.5				49
M12 X 1.75				71
M14 X 2.0				80

ALL TORQUE VALUES ARE IN FOOT-POUNDS (FT.-LB.)

Figure 3

G10410

* The torque values listed above are based on dry, coated bolts, variables such as oil, or other lubrications may appreciably alter these values and must be taken into consideration.

NOTE: IT IS IMPORTANT THAT ALL FASTENERS BE PROPERLY TORQUED TO ASSURE A SAFE OPERATING PLOW.