

BOSS PRODUCTS
A Division of Northern Star Industries, Inc.
P.O. Box 787 Iron Mountain MI 49801-0787
www.bosspow.com

**2004 & NEWER NISSAN TITAN
SPORT DUTY UNDERCARRIAGE
MOUNTING INSTRUCTIONS
(PART NO. LTA06270)**

DRIVEN TO BE THE BEST

MSC06271-1

WARNING

Many newer trucks are now equipped with air bags. DO NOT under any circumstances disable, remove or relocate any sensors or other components related to the operation of the air bags.

For recommended vehicle models refer to the Boss Snowplow Application Chart and Selection Guide.

To comply with Federal Regulations and to assure a safe vehicle, the Front Gross Axle Weight Rating (FGAWR), Rear Gross Axle Weight Rating (RGAWR), and the Gross Vehicle Weight Rating (GAWR) must not be exceeded at any time.

Due to the variety of equipment that can be installed on this vehicle, it is necessary to verify that the Front Gross Axle Weight Rating (FGAWR), Rear Gross Axle Weight Rating (RGAWR), and the Gross Vehicle Weight Rating (GAWR) are not exceeded at any time. This may require weighing the vehicle and adding ballast as necessary. It may also limit payload capacity of the vehicle. It is the operator's responsibility to verify that these ratings are not exceeded.

2004 & NEWER NISSAN TITAN SPORT DUTY UNDERCARRIAGE MOUNTING INSTRUCTIONS

The mounting procedure outlined below covers the 2004 and Newer Nissan Titan trucks. You will need to refer to the illustrations and familiarize yourself with each of the undercarriage components and their relative position to each other. Then proceed as follows:

1. Begin by removing the front skid plate (if applicable). There should be (4) bolts connecting the front skid plate to the vehicle. Next, remove the rear skid plate (if applicable). There should be (2) bolts connecting the rear skid plate to the frame. These parts will not be reinstalled for this application but should be retained incase the plow undercarriage is ever removed.
2. Remove the (2) bolts holding each front skid plate bracket to the frame (if applicable). These will be the same bolts connecting the tow hook to the frame. Once the skid plate brackets are removed, reinstall the tow hooks with the OEM hardware. Again, the front skid plate brackets will not be reinstalled but should be retained incase the plow undercarriage is ever removed.
3. Remove the (2) bolts connecting the bumper bracket to the driver side frame rail. DO NOT REMOVE THE BUMPER. Drill out the (2) holes in the frame wall and bumper bracket to 9/16" diameter. Place Driver Side Support Plate (62B) over bumper bracket and attach to frame using two 1/2"-13 x 2" Bolt Bars (101), two 1/2" Split Lock Washers (C), and two 1/2"-13 Regular Nuts (D).
4. With Driver Side Support Plate (62B) in position, drill (1) 9/16" diameter hole in the bottom of the driver side frame rail. Install one 1/2"-13 x 1-1/2" Bolt Bar (102), 1/2" Split Lock Washer (C), and 1/2"-13 Regular Nut (D). DO NOT TIGHTEN HARDWARE.
5. Repeat steps 3 and 4 on passenger side.
6. Install Push Beam Assembly (62) between Support Plates (62A & 62B) using eight 1/2"-13 X 1-1/2" Hex Head Bolts (A) and eight 1/2"-13 Lock Nuts (B). For Sport Duty Plow applications, the center of the receiver hole in Push Beam Assembly (62) should be 14-1/2" from the ground (refer to Figure 2). Leave hardware finger tight.
7. Assemble Angle Bracket (75) to the back of Push Beam Assembly (62) using four 1/2"-13 X 1-1/2" Hex Head Bolts (A) and four 1/2"-13 Lock Nuts (B). DO NOT TIGHTEN HARDWARE.

8. Drill out (2) holes in the front cross member to 9/16" diameter for the two rear holes in Angle Bracket (75). Install two 1/2"-13 x 1-1/2" Bolt Bars (102), 1/2" Split Lock Washers (C), and 1/2"-13 Regular Nuts (D).
9. Tighten all hardware beginning at the rear of Angle Bracket (75) and working forward. Refer to Figure 3 for proper torque values.

Installation Notes:

- A. Use Headlight Adapter Kit MSC06289. Use the configuration specified on the Headlight Adapter Label (B).
- B. Power for the turn indicators should be obtained from the battery by utilizing the included relay kit.

2004 & NEWER NISSAN TITAN SPORT DUTY UNDERCARRIAGE INSTALLATION PROCEDURE

REF. NO.	DESCRIPTION	PART NO.	QTY.
62	Push Beam Assembly, Sport Duty	PBA06274	1
62A	Push Beam Support Plate, Passenger Side	PBA06278	1
62B	Push Beam Support Plate, Driver Side	PBA06277	1
75	Angle Bracket	LTA06281	1
101	Bolt Bar, 1/2"-13 x 2"	LTA06285	4
102	Bolt Bar, 1/2"-13 x 1-1/2"	LTA05132	4
	FASTENER KIT, TITAN, 2004 & NEWER	HDW06273	1
Includes:			
A	1/2" - 13 x 1- 1/2" Hex Head Bolt	HDW01728	12
B	1/2" - 13 Hex Head Lock Nut	HDW01748	12
C	1/2" Split Lock Washer	HDW01732	8
D	1/2" - 13 Regular Nut	HDW02410	8

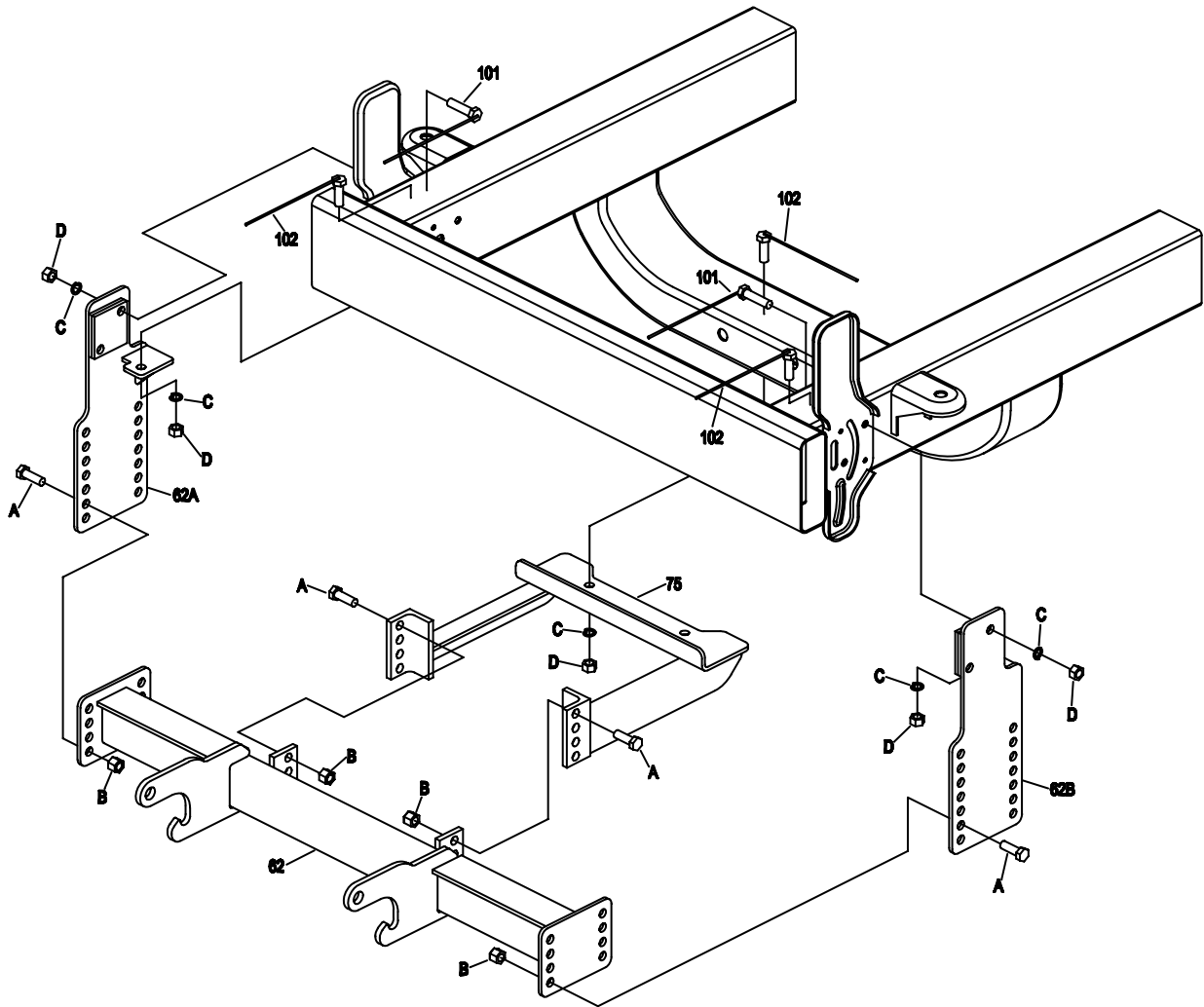


Figure 1

RECOMMENDED PUSHBEAM HEIGHT

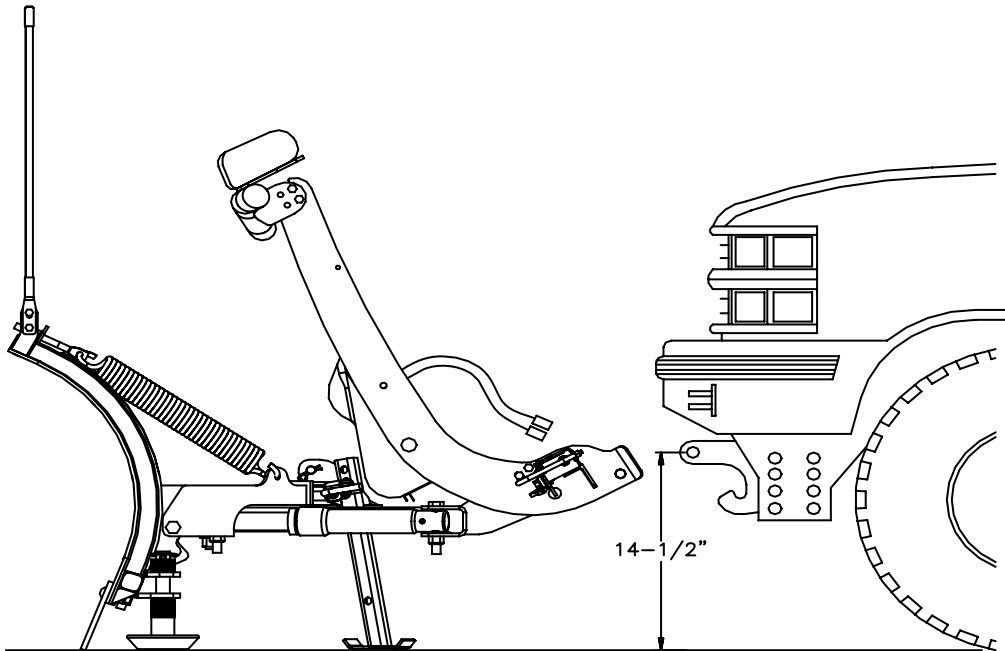


Figure 2

G10299

GUIDE TO RECOMMENDED ASSEMBLY TORQUE



DIAMETER / PITCH	GRADE 5	GRADE 8	GRADE 8.8	GRADE 10.9
1/4-20	6	9		
5/16-18	14	19		
3/8-16	23	33		
7/16-14	38	53		
1/2-13	56	80		
9/16-12	82	116		
5/8-11	113	159		
3/4-10	201	283		
M10 X 1.25			36	
M10 X 1.5				49
M12 X 1.75				71
M14 X 2.0				80

ALL TORQUE VALUES ARE IN FOOT-POUNDS (FT.-LB.)

Figure 3

G10410

* The torque values listed above are based on dry, coated bolts, variables such as oil, or other lubrications may appreciably alter these values and must be taken into consideration.

NOTE: IT IS IMPORTANT THAT ALL FASTENERS BE PROPERLY TORQUED TO ASSURE A SAFE OPERATING PLOW.