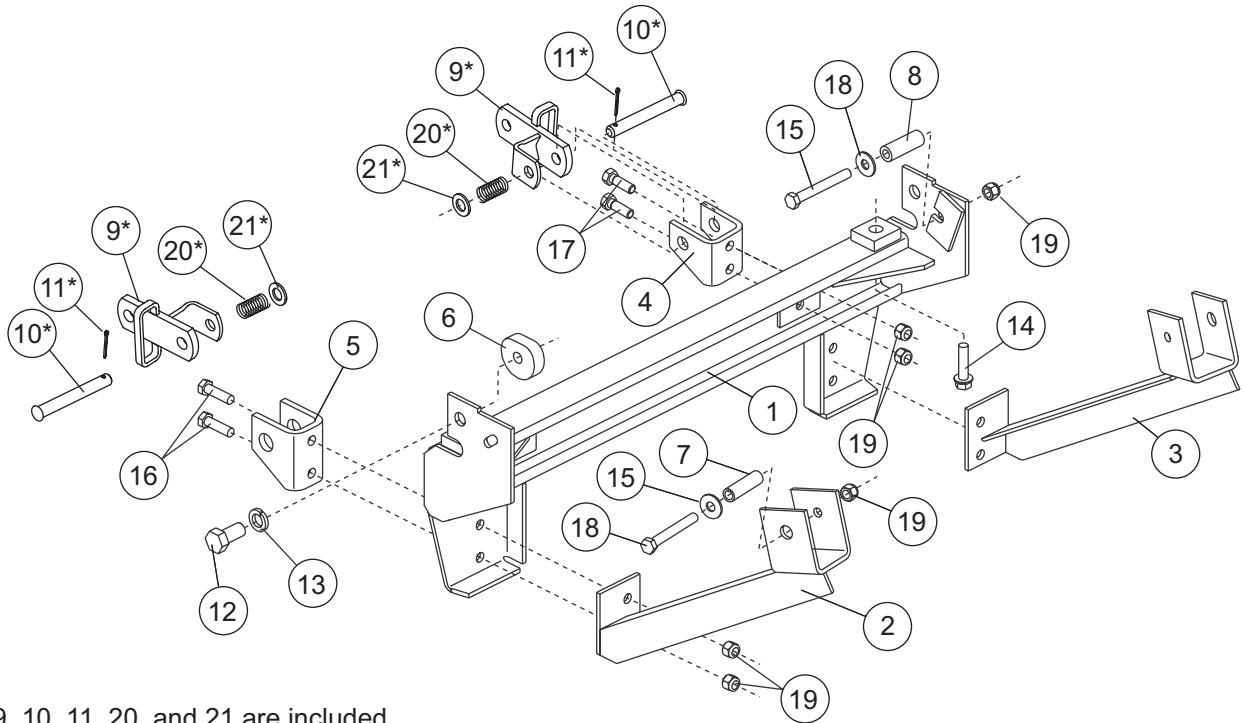




WESTERN PRODUCTS
P.O. BOX 245038
MILWAUKEE, WI 53224-9538

 A DIVISION OF DOUGLAS DYNAMICS, L.L.C.

PARTS LIST - MODEL 3715
MOUNT ASSEMBLY BOX NO. 63250-1
Jeep Wrangler 4x4 1997-Later



* Items 9, 10, 11, 20, and 21 are included in the 63940 - Link Arm Service Kit

PARTS LIST - MODEL 3715

63250-1 JEEP MOUNT ASSY #3715							
Item	Part	Qty	Description	Item	Part	Qty	Description
1	64119	1	MOUNT FRAME	12	90152	2	3/4-10X1-1/2 HEX CAP SCREW G5
2	63252	1	THRUST ARM DR	13	90367	2	3/4 SPRING LOCK WASHER
3	63253	1	THRUST ARM PS	14	90120	2	SFLS 1/2-13C2 G5 ZP FULL THD
4	61916	2	LINK ARM LUG	15	90107	3	1/2-13X4 HEX CAP SCREW G5
5	61917	2	COUPLING LUG	16	90217	4	1/2-13X2 HEX CAP SCREW G5
6	63254	2	TUBE NUT	17	90210	4	1/2-13X1-1/2 HEX CAP SCREW G5
7	63255	2	TUBE SPACER REAR 2-5/8 LG	18	91105	3	1/2 FLAT WASHER
8	63256	2	TUBE SPACER FRONT 2-7/16 LG	19	91335	11	1/2-13 HEX LOCKNUT GB
9	63497	2	LINK ARM	20	63356	2	SPRING 3/4 ID X 3.00 LG
10	63354	2	CLEVIS PIN 3/4" X 6" HT ZYC	21	91147	2	3/4 FLAT WASHER
11	91911	2	5/32X1-1/2 COTTER PIN ZYC				

63940 LINK ARM SERVICE KIT							
Item	Part	Qty	Description	Item	Part	Qty	Description
9	63497	2	LINK ARM	20	63356	2	SPRING 3/4 ID X 3.00 LG
10	63354	2	CLEVIS PIN 3/4" X 6" HT ZYC	21	91147	2	3/4 FLAT WASHER
11	91911	2	5/32X1-1/2 COTTER PIN ZYC				

ABBREVIATIONS			
ASSY	Assembly	PS	Passenger side
DR	Driver side	THD	Thread
G	Grade	SFLS	Serrated flange lock screw
HT	Heat Treated	ZP	Zinc plate
ID	Inner Diameter	ZYC	Zinc yellow chromate
LG	Long		

Copyright© 2002 Douglas Dynamics, L.L.C. All rights reserved. This material may not be reproduced or copied in whole, or in part, in any printed, mechanical, electronic, film or other distribution and storage media, without the written consent of Western Products. Authorization to photocopy items for internal or personal use by Western Products outlets is granted.

Western Products reserves the right under its Product Improvement Policy to change construction or design details and furnish equipment when so altered without reference to illustrations or specifications used herein. Western Products and the vehicle manufacturer may require and/or recommend optional equipment for snow removal. Western Products offers a limited warranty on all snowplows and accessories. See separately printed page for this important information. The following are registered (®) trademarks of Douglas Dynamics, L.L.C.: WESTERN® and UniMount®.

Printed in U.S.A.