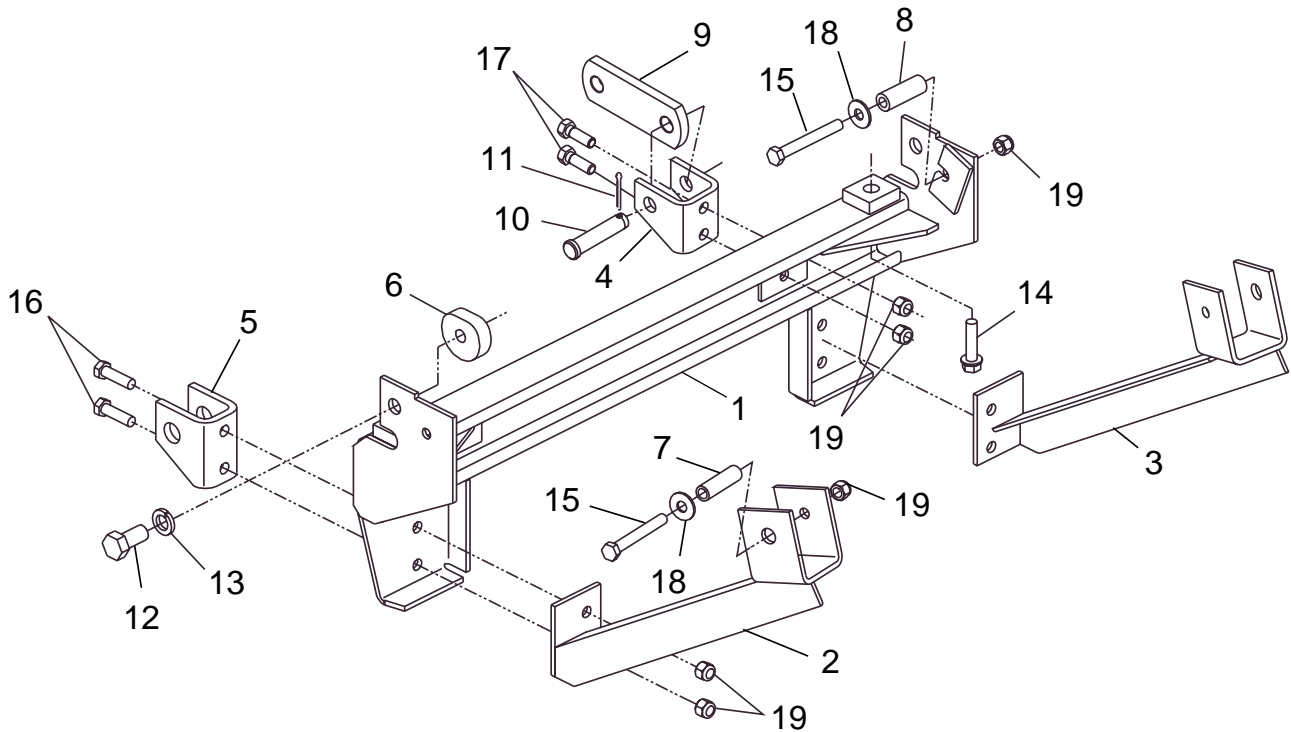




WESTERN PRODUCTS
 7777 N. 73RD STREET
 P.O. BOX 23045
 MILWAUKEE, WI 53223-0045

A DIVISION OF DOUGLAS DYNAMICS, L.L.C.

PARTS LIST 63250
1997 and Later
Jeep Wrangler 4X4
November 23, 1998



ITEM PART NO. QTY. DESCRIPTION

1	63251	1	MOUNT FRAME
2	63252	1	THRUST ARM DR
3	63253	1	THRUST ARM PS
4	61916	2	LINK ARM LUG
5	61917	2	COUPLING LUG
6	63254	2	TUBE NUT
7	63255	2	TUBE SPACER REAR 2-5/8 LG
8	63256	2	TUBE SPACER FRONT 2-7/16 LG
9	61412	2	LINK ARM
10	93062	2	CLEVIS PIN 3/4" X3-1/4" HT ZYC
11	91911	2	5/32X1-1/2 COTTER PIN ZYC
12	90152	2	3/4-10X1-1/2 HX CS G5 ZP
13	91207	2	3/4 SP LK WASHER ZP
14	90120	2	1/2-13X2 SFLS G5 ZP FULL THD
15	90107	3	1/2-13X4 HX CS G5 ZP
16	90102	4	1/2-13X2 HX CS G5 ZP
17	90100	4	1/2-13X1-1/2 HX CS G5 ZYC
18	91105	3	1/2 PLAIN WASHER TY A STD ZYC
19	91335	11	1/2-13 PT HX LK NUT NYIS ZYC

ABBREVIATIONS

DR	DRIVER-SIDE
G	GRADE
HT	HEAT TREATED
HX	HEX
LG	LONG
LK	LOCK
NYIS	NYLON INSERT
PS	PASSENGER-SIDE
STD	STANDARD
THD	THREAD
TY	TYPE
ZP	ZINC PLATE
ZYC	ZINC YELLOW CHROMATE

Copyright© 1998 Douglas Dynamics, L.L.C. All rights reserved. This material may not be reproduced or copied in whole, or in part, in any printed, mechanical, electronic, film or other distribution and storage media, without the written consent of Western Products.

Authorization to photocopy items for internal or personal use by Western Products outlets is granted.

Western Products reserves the right under its Product Improvement Policy to change construction or design details and furnish equipment when so altered without reference to illustrations or specifications used herein. Western Products and the vehicle manufacturer may require and/or recommend optional equipment for snow removal. Western Products offers a limited warranty on all snowplows and accessories. See separately printed page for this important information. The following are registered (®) trademarks of Douglas Dynamics, L.L.C.:

WESTERN® and UniMount®.