

## PARTS & INSTALLATION INSTRUCTIONS MEYER SNOW PLOW MOUNTING CHEVROLET AND GMC S-SERIES 4X4 VEHICLES

### IMPORTANT NOTICE

**End user must be given this instruction sheet prior to delivery of this Snow Plow.**

The equipment you have just purchased should only be used on vehicles equipped with the Manufacturer's Snow Plow Preparation Packages. Snow Plowing without the original Snow Plow Preparation Package may damage your vehicle and the added weight to the equipment may impair the operation and control of the vehicle. Snow Plowing with a vehicle that the manufacturer does not recommend for that purpose may void your new vehicle warranty. If your vehicle is not originally equipped with the Snow Plow Package, additional parts may be necessary before snow plowing. Owners of these vehicles should consult their dealers before purchase or installation of such parts. CAUTION: the installation, on any vehicle, of these parts is not a full substitute for the original equipment Snow Plow Preparation Package.

**Warning: Lift Arm extends beyond bumper of vehicle. To minimize damage from a front-end collision, Lift Arm should be removed from vehicle when Snow Plow is removed.**

### PARTS LIST

Item	Part No.	Qty.	Description
	18056	1	MOUNTING CARTON
1	11325	1	• Clevis Frame
2	10514	1	• Lift Arm
	12978	2	• Trip Spring
	12984	1	• Pivot Bar
	13594	1	• A-Frame
6	11462	2	• Receiver Tube Cap
	08608	1	• HARDWARE BAG
7	10843	1	•• Support Pipe
8	10844	1	•• Plate Washer
9	10943	2	•• Special Nut
10	10933	2	•• Shim 3/16 "
11	10934	2	•• Shim 1/8 "
12	11006	2	•• Hinge Pin
13	11331	2	•• Plate Spacer
14	14595	2	•• Special Bolt
15	20106	1	•• Bolt H 1/2-13 x 4-1/2" Gr.5
16	20144	1	•• Bolt H 5/8 - 11 x 2-3/4" Gr.5
17	20146	2	•• Bolt H 5/8 - 11 x 3-1/4" Gr.5
18	20307	1	•• Locknut Esna 1/2-13
19	20309	3	•• Locknut Esna 5/8-11
20	20310	2	•• Locknut Esna 3/4-10
21	21976	2	•• Battery Connector
22	21984	2	•• Hair Pin Cotter
23	22065	2	•• Bolt M-10 x 1.5 x 40MM
---	09916	1	• MARKER KIT
---	08511	1	• SNOW PLOW HARDWARE BAG
24	11275	1	Lift Frame (Tubular)

Parts indented are included in the carton, bag or assembly under which they are indented. When ordering parts, furnish Part No., Name, and Description. Also furnish Vehicle Model and Year. Type of Hydraulic Unit and Moldboard Size.

Meyer Products reserves the right, under its continuing product improvement program, to change construction or design details, specifications and prices without notice or without incurring any obligation.

## GENERAL INFORMATION

**CAUTION:** Always disconnect battery before beginning installation.

**DO NOT BURN** holes or **WELD** vehicle frame. This may cause frame failure.

After first use, retighten all mounting bolt connections to specified torque. All mounting bolt connections to be checked periodically for tightness.

Locknuts are furnished **DO NOT** tighten bolts and nuts until installation is complete (unless otherwise specified), then be sure to tighten all attaching parts per specified torque chart.

**NOTE:** It is important that the Meyer harness, all wires from the Meyer light switch, and all other electrical wires be routed around hot or moving engine parts, and any sharp metal. Protection must be provided to guard against wire damage at these points. All excess or loose wires must be neatly secured using wire ties.

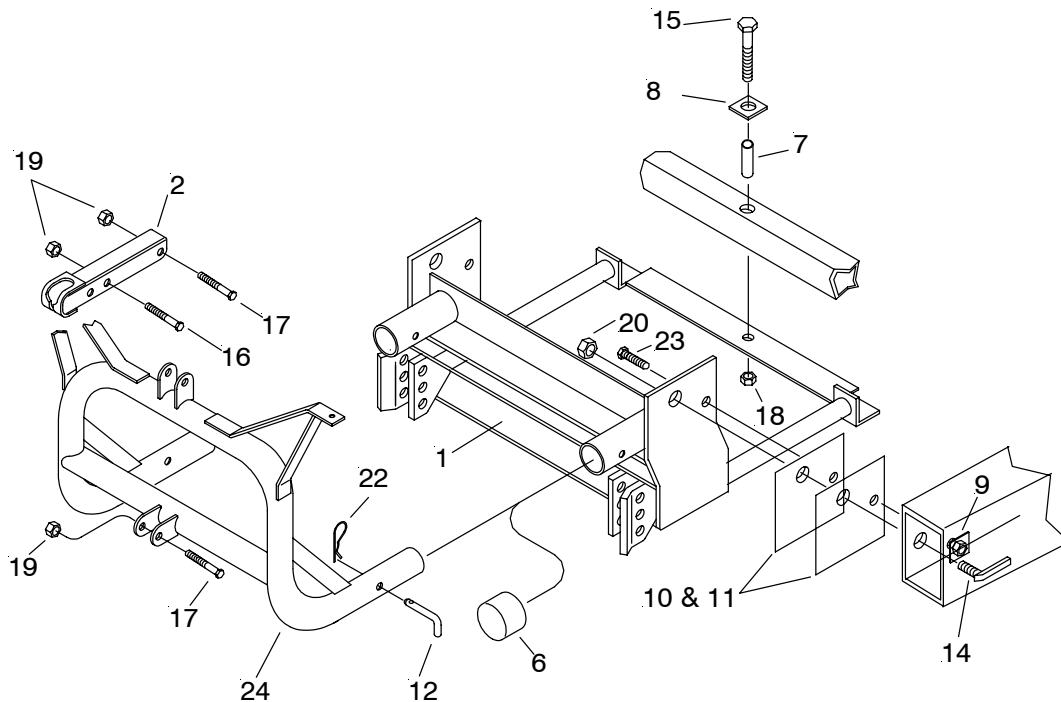
Check contents against the parts list to determine all are correct and included, and also to familiarize yourself with them.

**SAFETY PRECAUTIONS** should be used when **Hydraulic Unit is in OPERATION** and plow is in a **RAISED** position. **Lower plow to ground when vehicle is PARKED.**

**OVERHAUL** and **SERVICE INFORMATION** are covered on separate instructions.

Follow these instructions explicitly. Warranty does not apply to a Meyer product which has been negligently or improperly assembled or installed.

**When ordering parts, furnish Part No., Name and Description. Also furnish Vehicle Model and Year, Type of Hydraulic Unit and Moldboard Size.**



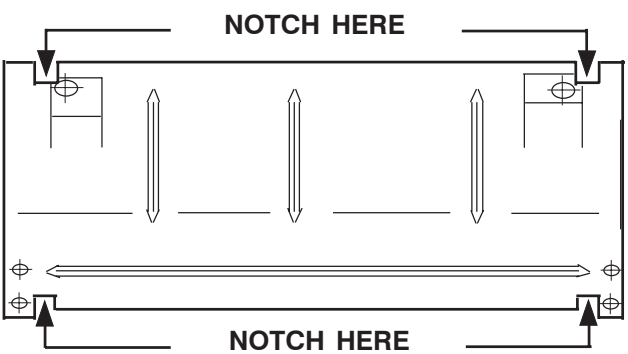
### ADDITIONAL CHEVY/GMC RECOMMENDED COMPONENTS

Power steering; Locking Differential Rear Axle; V-6 Engine; Automatic Transmission; Cold Climate Package; Heavy Duty Cooling System; On-Off Road Tires; P205/75R x 15 or On-Off Road Tires QEB P235/75R x 15.

# INSTALLATION INSTRUCTIONS

**IMPORTANT:** Prior to installing this mounting be certain vehicle meets Manufacturers requirements for this application. All Chevrolet and GMC S-Series 4x4 vehicles that arte to be used for snow-plowing must have Regular Production Option F-60. The decal affixed in the glove compartment lists all major components installed on that vehicle. Also see chart below.

- A. Position clevis frame (1) to the side of vehicle frame. Note space between the clevis frame and vehicle frame at slotted hole "A". Determine what combination of shims (10 & 11) will provide a snug fit.
- B. Secure clevis frame (1) by inserting special bolts (14) in slotted hole "A" of each vehicle frame rail and clip the special nut (9) into the triangular hole as shown. Install the clevis frame (1), and shims (10 & 11). Secure with 3/4-10 locknuts (20) and M10 x 1.5 x40MM bolts (23).
- C. The steering linkage sheild, GM 14063000, must be modified as shown in figure 1 and reinstalled as described below to avoid foreign matter from damaging engine belts and pulleys.
- D. After notching, the steering linkage sheild assembly is placed loosly in position. Install support pipe (7) in top of vehicle crossmember. Put plate washer (8) over same hole and insert 1/2-13 x 4-1/2" bolt (15) through all these pieces and back hole of clevis frame (1). Secure with 1/2-13 locknut (18). then the vehicle steering linkage sheild assembly may be secured using original vehicle bolts and flatwashers.



**FIGURE 1**

**Note: Clevis frame (1) should be pushed back as far as possible under the vehicle to remove slack in bolt holes. Tighten all nuts to proper torque as shown on torque chart, starting at rear and working forward in the tightening process.**

- E. Tighten all fasteners to their proper toque. Tighten bolts in same order they were assembled to the vehicle.
- F. Install lift frame (24) into the tubes on clevis frame (1) using hinge pin (12) and hair pin cotter (22). **Note: Before installing lift frame tubing to clevis frame, liberally coat ends of lift frame with chassis grease/anti-seize lubricant.**
- G. Install lights making certain there is clearance behind the lights for opening the vehicle hood. Lights must be aimed to comply with Federal Regulations.
- H. Install plow light wiring per separate instructions.
- I. Attach lift arm (2) to lift frame (24) using 5/8-11 x 3-1/4" bolt (17) and locknut (19). Mount Hydraulic unit to lift frame with 5/8-11 x 3-1/4" bolt (17) and locknut (19), and to lift arm (2) using 5/8-11 x 2-3/4" bolt (16) and locknut (19).
- J. Install Hydraulic unit wiring system per separate instructions.
- K. Install Moldboard Assembly per separate instructions. 1-694 or 1-670.

**Note: When the lift frame module (24) is removed from the vehicle, the insides of the clevis frame (1) receiver tubes and outside ends of the lift frame should be coated with chassis grease/anti-seize lubricant and the protective receiver tube caps (6) install over the clevis frame receiver tubes.**

## TORQUE CHART FOOT LBS.

Bolt Nut Size	Gr. 2	Gr. 5	Gr. 8
1/4 - 20	4 - 5		
5/16 - 18	9 - 11		
3/8 - 16	17 - 20		
7/16 - 14		26 - 29	
1/2 - 13		42 - 46	
5/8 - 11		127 - 141	60 - 66
3/4 - 10		227 - 251	179 - 198

**Meyer Products assumes no responsibility for installations not made in accordance with these instructions.**