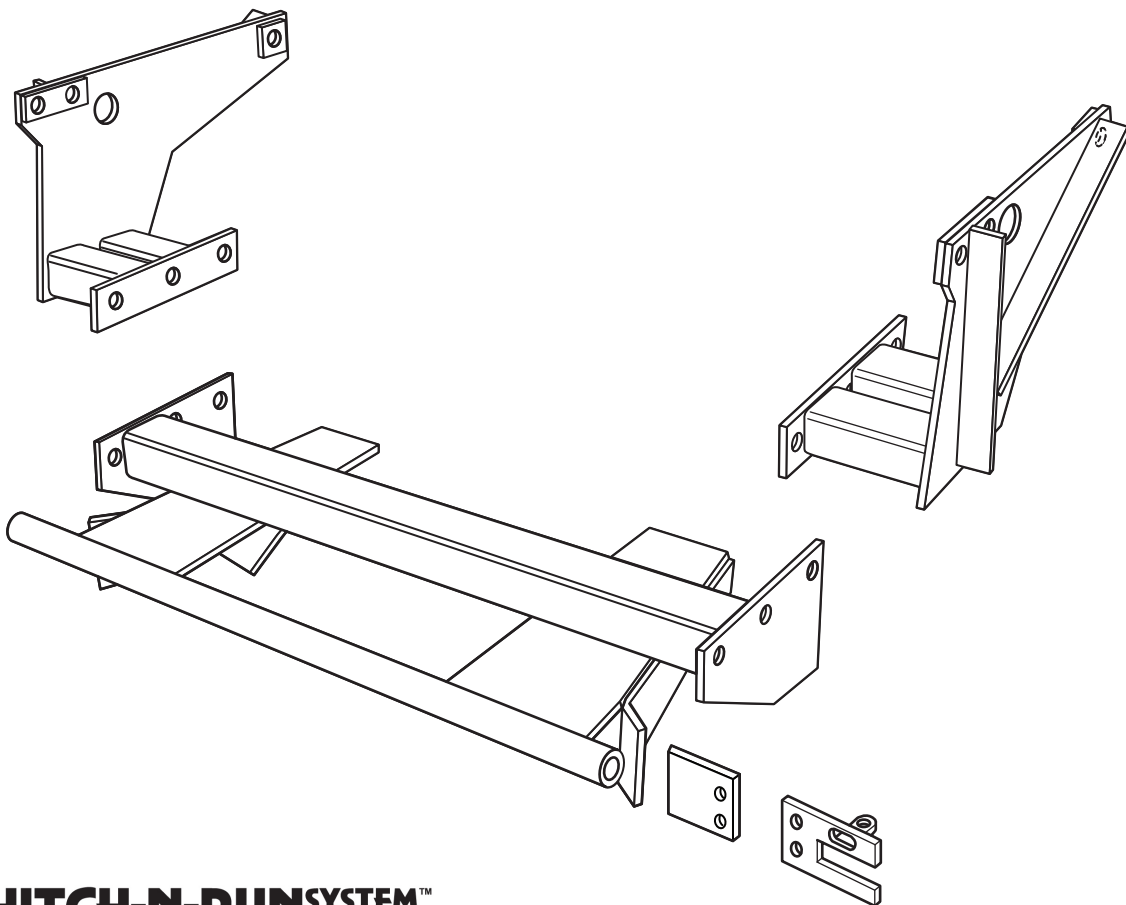




HOME-PRO[®] 3000

**1987 – 1996 Jeep Wrangler YJ
(With Max. GVWR & Max. FGAWR ONLY)**

Vehicle Mounting Kit: 1FK17



Curtis Industries Inc. LLC, 111 Higgins St., Worcester, MA 01606 TEL: (800) 343-7676 FAX: (508) 854-3377 For Parts and information visit us at www.Curtisindustries.net
Curtis Industries Inc. LLC, reserves the right to change product design or specifications without notice or liability.
Curtis Snow Plows are protected by the following U.S. Patent Numbers: 6,145,222 and 6,209,231 Licensed under U.S. Patent Number 5,568,694 & Canadian Patent Number 2,137,853.
Other patents pending.

1FK17 Vehicle Mount Kit Parts List

Item #	Description	Qty.
1	Front Mount Frame	1
2	Driver's Side Push Arm	1
3	Passenger's Side Push Arm	1
Hardware Bag Components Included In This Kit		
4	11/32" x 2-3/8" Pipe Spacer	2
5	13/16" x 2-3/8" Pipe Spacer	4
6	1/2"-13 x 1-1/2" Bolt, Gr.5, Plated	6
7	1/2" Lock Washer, Plated	6
8	1/2"-13 Hex Nut, Plated	6
9	5/8"-11 x 4" Bolt Gr.5, Plated	4
10	5/8" Lock Washer, Plated	4
11	5/8"-11 Hex Nut, Plated	4
12	3/4"-10 x 4" Bolt, Gr.5, Plated	2
13	3/4" Lock Washer, Plated	2
14	3/4"-10 Hex Nut, Plated	2
Hardware Components Included In Plow Light Harness Kit		
1a	Plug Mount Bracket	1
-	10-32 x 3/4" Hex Head Screw, Plated	2
-	10-32 Nylock Lock Nut, Plated	2
-	8-32 x 1" Hex Head Screw, Plated	1
-	8-32 Nylock Lock Nut, Plated	1
-	#8 Nylon Flat Washer, 3/4" O.D.	1
-	#8 Flat Washer, SAE, Plated	1

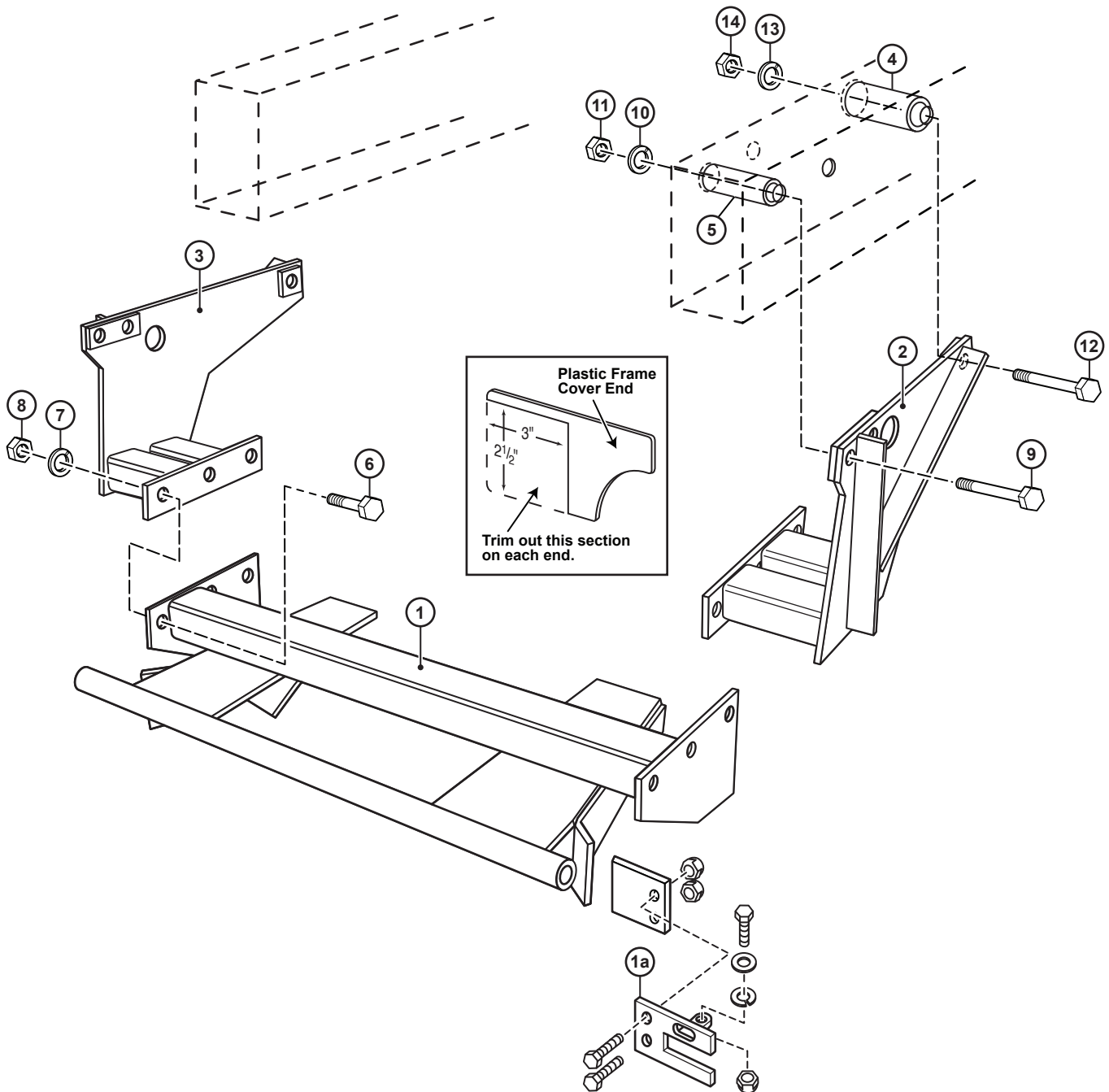


WARNING

It is highly recommended that front "helper springs", "airshocks", or other similar devices be installed onto this vehicle to prevent the front suspension from "bottoming out" while carrying a snow plow.

Vehicle must be properly "ballasted" by placing ballast weight behind the centerline of Rear Axle so that no more than 62% of the total weight of the Vehicle, Snow Plow, Driver, Ballast weight, (and any cargo) is placed on the Front Axle while at the same time not exceeding the Gross Vehicle Weight Rating and Front or Rear Gross Axle Weight Ratings.

1FK17 Mounting



Curtis Industries, LLC. reserves the right to change product design or specifications without notice or liability. Curtis Snow Plows and Truck equipment should only be used on vehicles equipped with the manufacturer's Snow Plow preparation package. Snow Plowing without the original snow plow preparation package may damage your vehicle and the added weight of the equipment may impair the operation and control of the vehicle.

1FK17: 1987 – 1996 Jeep Wrangler YJ

Mounting Kit Installation Instructions

1. VEHICLE PREPARATION

- (1a.) If the ends of the bolts and nuts of the front spring shackle lower bolts are pointed toward each other, jack the vehicle slightly, then remove and reinstall them so that the ends of the bolts and nuts are pointed toward the outsides of the vehicle.
- (1b.) Remove the plastic frame cover from the top of the frame rails just behind the front bumper. Trim out a 3" x 2-1/2" high piece from the rear of the vertical end sections of the plastic frame cover. Save two of the four plastic frame cover fasteners for reinstallation at a later step of the installation.
- (1c.) Install two of the 13/16" x 2-3/8" pipe spacers (5) into each frame rail through the two holes in the inner surface of the rail just behind the front bumper.
- (1d.) Install a 11/32" x 2-3/8" Pipe spacer (4) into each frame rail through the hole in the inner surface of the rail just ahead of the shock absorber tower.



NOTE

It may be necessary to slightly enlarge some of the inner frame holes by filing or reaming so that the pipe spacers (4) & (5) will pass through.



NOTE

All fasteners should remain loose or "finger tight" until all components have been attached to vehicle or installation instructions specify tightening.

2. DRIVER'S SIDE PUSH ARM

Place the Driver's side push arm (2) onto the outside of the Driver's side frame rail with the square tubes and end plates of the push arm (2) between the top surface of the leaf spring and the bottom surface of the frame rail. Align the upper mounting holes in the push arm (2) with the three holes in the outer surface of the frame rail lined up with the pipe spacers (4) & (5) installed previously. Fasten using two 5/8"-11 x 4" bolts (9), 5/8" lock washers (10), and 5/8"-11 nuts (11) at the front holes and a 3/4"-10 x 4" bolt (12), lock washer (13), and 3/4"-10 nut (14) at the rear hole.

3. PASSENGER'S SIDE PUSH ARM

Install the Passenger's side push arm (3) in exactly the same sequence and with the same type and amount of fasteners as used with the Driver's side push arm (2).

4. MOUNTING FRAME

Lift the mounting frame (1) up into place between the end plates of the Driver's side push arm (2) and Passenger's side push arm (3). Align the three holes in each end plate of the mounting frame (1) with the corresponding three holes in the end plate of the Driver's side push arm (2) and Passenger's side push arm (3). Fasten using three 1/2"-13 x 1-1/2" bolts (6), 1/2" lock washers (7), and 1/2"-13 nuts (8) at each side.

5. TIGHTENING

Tighten all installed fasteners. Reinstall the trimmed plastic frame cover. Inspect the mounting frame, and push arm attachment bolts to be certain that they are all in place and that they are all tight.

6. FINAL ADJUSTMENT AND INSPECTION

Inspect the mounting and skid / splash pan attachment bolts to be certain that they are all in place and that they are all tight.

IMPORTANT

If mounting frame (1) and new skid / splash pan (2) are ever removed from the vehicle, the original equipment skid / splash pan must be reinstalled before the vehicle is put back into service.

7. OPTIONAL PLUG MOUNT BRACKET INSTALL



NOTE

Install the Plug Mount Bracket if the harness will be mounted on the frame kit, otherwise, the harness may be routed through the grill, bumper, etc.

Using (2) 10-32 x 3/4" hex bolts and nylon locknuts, fasten the Plug Mount Bracket to the Plug Mount Bracket Mounting Tab located on the driver's side of the frame kit receiver. The included 8-32 hardware is used for mounting the hi-amp battery leads to the Plug Mount Bracket if used.

