



WESTERN PRODUCTS
 7777 NORTH 73RD STREET
 P.O. BOX 23045
 MILWAUKEE, WISCONSIN 53223

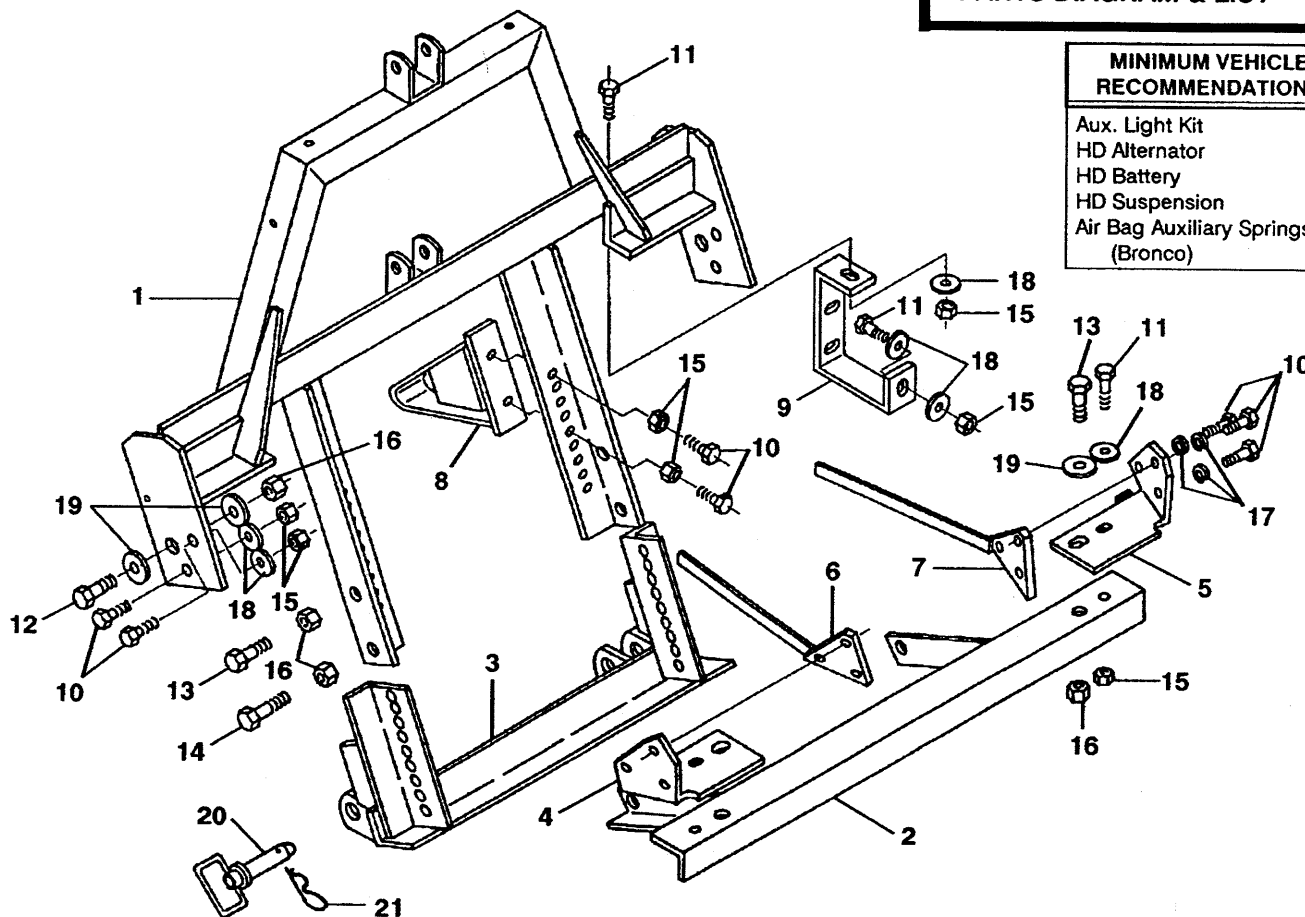
DD A DIVISION OF DOUGLAS DYNAMICS, INC.

Box No. 61600
 Model No: 1260
 Ford Bronco & F-250 2WD
 1992 & Later

September 28, 1991

PARTS DIAGRAM & LIST

MINIMUM VEHICLE RECOMMENDATIONS	
Aux. Light Kit	
HD Alternator	
HD Battery	
HD Suspension	
Air Bag Auxiliary Springs (Bronco)	



ITEM	PART NO.	QUAN.	DESCRIPTION
1	61712	1	LIFT FRAME 1260, 1270, 1290
2	61601	1	THRUST FRAME
3	59925	1	SPREADER
4	61602	1	MOUNT DR
5	61603	1	MOUNT CU
6	61648	1	NUT BAR DR
7	61649	1	NUT BAR CU
8	61644	2	A-FRAME STOP - SHORT
9	61650	2	BUMPER BRACKET
10	90100	14	1/2-13X1-1/2 HX CS G5 ZP
11	90101	6	1/2-13X1-3/4 HX CS G5 ZP
12	90128	2	5/8-11X1-3/4 HX CS G5 ZP
13	90129	4	5/8-11X2 HX CS G5 ZP
14	90130	2	5/8-11X2-1/4 HX CS G5 ZP
15	91335	14	1/2-13 PT HX LK NUT NYIS ZP
16	91337	8	5/8-11 PT HX LK NUT NYIS ZP
17	91205	6	1/2 SP LK WASHER ZP
18	91105	12	1/2 PLAIN WASHER TY A STD ZP
19	91106	6	5/8 PLAIN WASHER TY A STD ZP
20	93028K	2	HITCH PIN 1" X 3-1/2"
21	91965K	2	HAIRPIN COTTER 5/32"

Abbreviations	
CS	Capscrew
CU	Curb Side
DR	Driver Side
G	Grade
HX	Hex
LK	Lock
NYIS	Nylon Insert
PT	Prevailing Torque
SP	Spring
STD	Standard
TY	Type
ZP	Zinc Plate

Recommended Fastener Torque Chart (Ft.-Lbs.)					
Size	SAE Grade 2		SAE Grade 5		SAE Grade 8
	1/4-20	6	9	13	
5/16-18	11	18	28		
3/8-16	19	31	46		
3/8-24	24	46	68		
7/16-14	30	50	75		
1/2-13	45	75	115		
9/16-12	68	110	165		
5/8-11	93	150	225		
3/4-10	150	250	370		
7/8-9	202	378	591		
1-8	300	583	893		

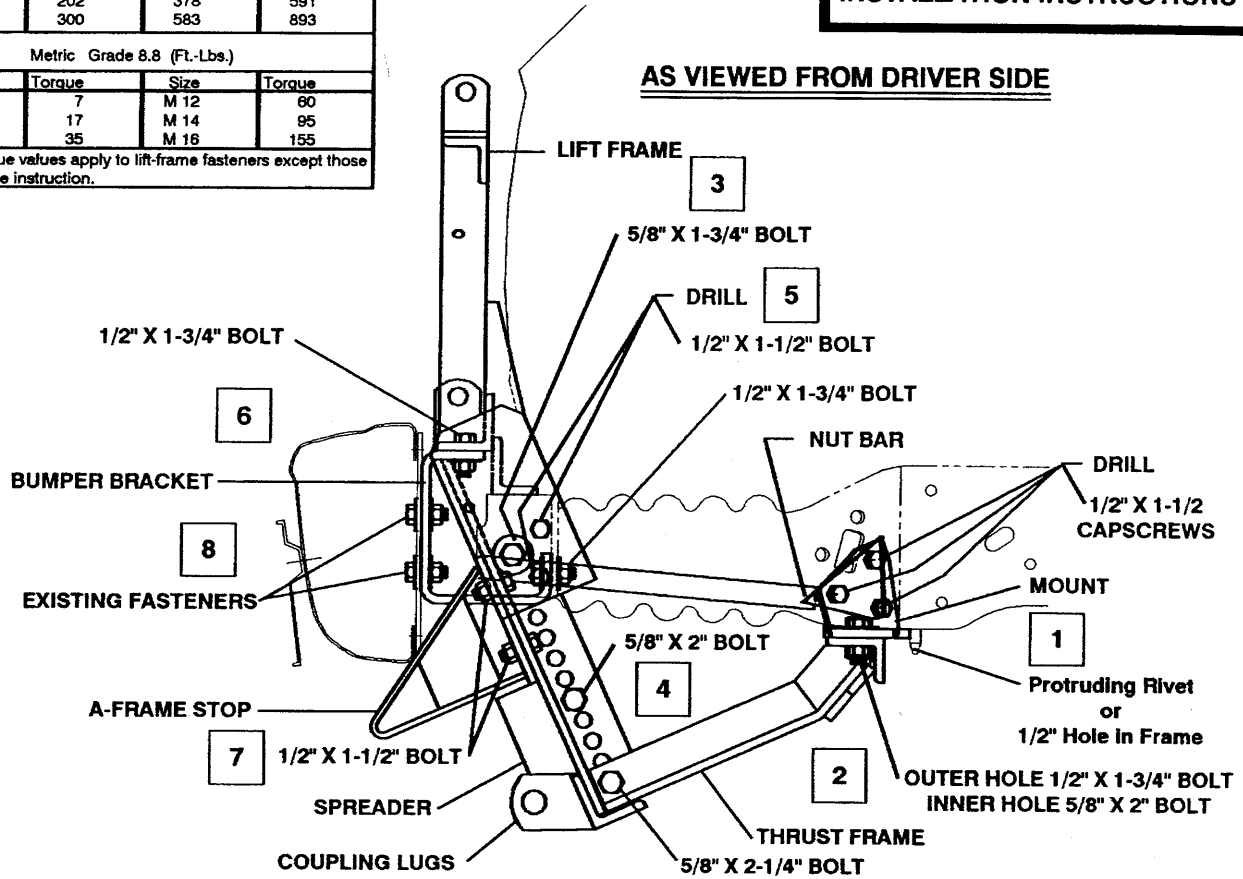
Metric Grade 8.8 (Ft.-Lbs.)			
Size	Torque	Size	Torque
M 6	7	M 12	80
M 8	17	M 14	95
M 10	35	M 16	155

These torque values apply to lift-frame fasteners except those noted in the instruction.

NOTE; DIRECT HYDRA-TURN® HOSES AND FITTINGS AWAY FROM STOPS AND PINCH POINTS

Box No. 61600
Model No. 1260
Ford Bronco & F-250 2WD
1992 & Later

INSTALLATION INSTRUCTIONS



IMPORTANT: Read instructions before assembling. Bolts should be finger tight until the installation is completed. Preventive maintenance can prevent accidents. Use standard methods and practices when attaching snowplow including wearing safety glasses during drilling. Install snowplow as follows:

Remove the bumper, with brackets attached, from the vehicle frame.

1. MOUNT BAR - DR & CU

Place (2) mounts tight to outside and bottom of vehicle frame and against long protruding rivet. (Vehicles without frame rivets, locate mounts to front edge of 1/2" holes in bottom of vehicle frame rails.) Clamp in place. Use mounts as a template to drill (3) 9/16" holes per side through vehicle frame. Install (2) nut bars inside vehicle frame rails aligning to drilled holes. Fasten mounts to nut bars with (6) 1/2" x 1-1/2" capscrews and (6) lock washers. Tighten capscrews to corresponding torque chart value.

2. THRUST FRAME

Attach thrust frame loosely to the two mounts with (2) 1/2" x 1-3/4" bolts, (2) flat washers to slots and (2) locknuts in outer holes and (2) 5/8" x 2" bolts, (2) flat washers to slots and (2) locknuts in inner holes.

3. LIFT FRAME

Place lift frame onto vehicle frame horns, aligning large holes in lift frame side plates to large holes (or slots) in vehicle frame. Fasten with (2) 5/8" x 1-3/4" bolts, (4) flat washers to lift frame and vehicle frame and (2) locknuts.

4. SPREADER

Place spreader between lift frame angles and thrust frame angles, keeping the center of the coupling lugs between 9-1/2" and 10-1/2" from road. Attach using (2) 5/8" x 2" bolts and (2) locknuts in top holes of lift frame angles and (2) 5/8" x 2-1/4" bolts and (2) locknuts through lower holes. Tighten all bolts to corresponding torque chart values starting with the thrust frame to mounts, then spreader and lift frame.

Continued on page 3.

5. SECURING LIFT FRAME

Drill (2) 1/2" holes per side through vehicle frame using lift frame side plates as a template and secure with (4) 1/2" X 1-1/2" bolts, (4) flat washers to inside of vehicle frame and (4) locknuts.

6. BUMPER BRACKET

Attach furnished (2) bumper brackets to underside of lift frame cross angle with (2) 1/2" x 1-3/4" bolts, (2) flat washers to slots and (2) locknuts. Secure furnished brackets to vehicle bumper mounts with (2) 1/2" x 1-3/4" bolts, (4) flat washers to slots and (2) locknuts.

7. A-FRAME STOP

Fasten (2) A-frame stops to front of lift frame angles with (4) 1/2" x 1-1/2" bolts and (4) locknuts starting with top holes in lift frame angles.

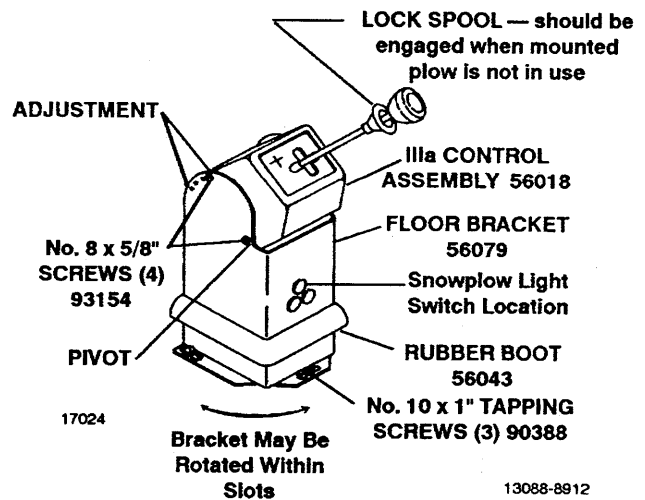
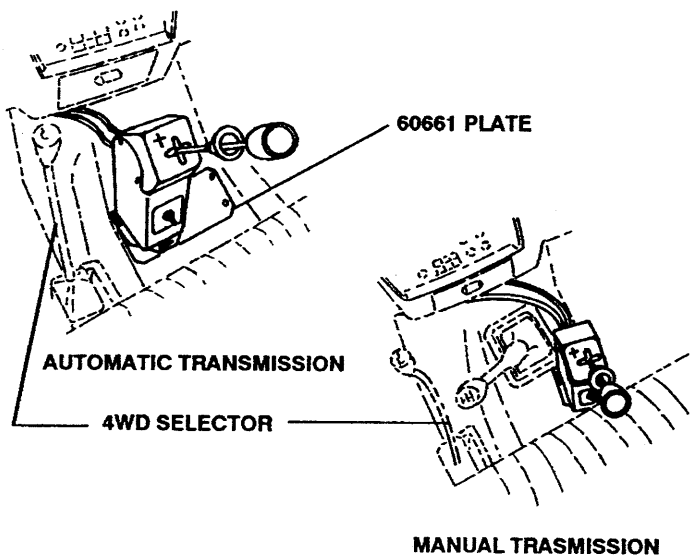
8. Attach existing bumper with brackets to furnished bumper brackets using existing fasteners.

TIGHTEN ALL BOLTS TO CORRESPONDING TORQUE CHART VALUES

LIGHT KIT ASSEMBLY — Use Box No.60740 Headlamp Kit — 4 Wire and 61790 Harness/Bracket Kit - HB5. Mount toggle switch in IIIa control floor bracket.

NOTE: Assemble and install balance of snowplow per instructions furnished with each respective assembly.

INSTALLATION INSTRUCTIONS FOR — IIIa CONTROL TO VEHICLE TRANSMISSION TUNNEL



13088-8912

1. Remove top knock-out in front of floor bracket to receive light kit toggle switch. Temporarily assemble IIIa control to floor bracket using four (4) No. 8 x 5/8" long hex head screws.
2. Position assembly as shown in sketch above: AUTOMATIC TRANSMISSION on left side of tunnel - position plate under floor bracket and center plate on top of tunnel.) - MANUAL TRANSMISSION on right side of tunnel. With seat in forward position, verify that IIIa control lever will clear all vehicle components.
3. CHECK underneath hole locations for wires or other interference before drilling. Using holes in plate as a template, drill five (5) 9/64" holes. OR Using bracket as template, drill 9/64" holes in center of each slot (3). Drilling in center of slots will allow bracket to be rotated to desired position. Loosely attach floor bracket with three (3) No. 10 x 1" tapping screws and lock washers. Secure remaining two holes in plate with one screw and lock washer from hydraulics box and another set from lift-mount box.
4. Remove IIIa control and slide rubber boot over top of bracket. Pass control cables through holes drilled in fire wall per hydraulic system instructions. Place control in bracket in desired position and secure. Rotate assembly to desired position and tighten mounting screws. Slide rubber boot down to cover screws.

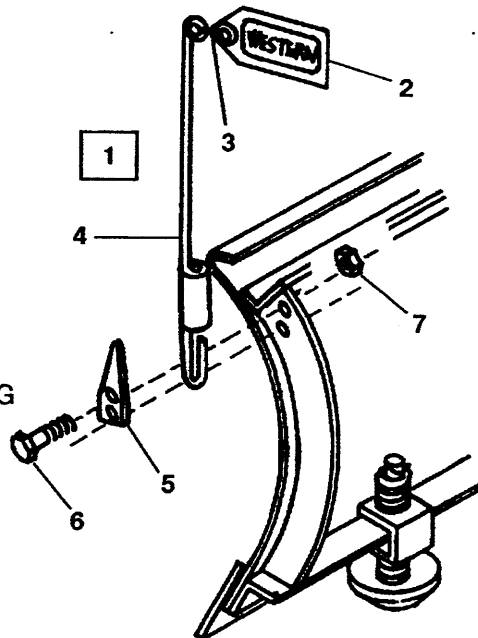
**INSTALLATION INSTRUCTIONS
FOR 59700 BLADE GUIDE ASSEMBLY**

Insert pointed end of clamp into coil of Blade Guide Rod. Attach a Blade Guide Rod to each outer rib using 5/16" x 1" capscrews and locknuts as shown in diagram.

PARTS LIST

59700 — BLADE GUIDE ASSEMBLY

Item	Part No.	Quan.	Description
1	59697	2	BLADE GUIDE ROD, S-HOOK & FLAG
2	59694K	1	BLADE GUIDE FLAG
3	59696	1	S-HOOK
4	59691	1	BLADE GUIDE ROD
5	59946	2	CLAMP
6	90020	4	5/16-18X1 HX CS G2 ZP
7	91332	4	5/16-18 PT HX LK NUT NYIS ZP



13009-8908

The following are registered® and unregistered™ Trade Marks of Douglas Dynamics, Inc.
WESTERN® ISARMATIC® Hydra-Turn® UniMount® Roll-Action™ PRO-GUARD™

Western reserves the right under its Product Improvement Policy to change construction details and furnish equipment when so altered without reference to illustrations or specifications used herein.