



31269 MOUNT KIT

Ford Super Duty F-250/350/450/550 2008 -

Installation Instructions

⚠ CAUTION

Read this document before installing the snowplow.

⚠ CAUTION

See your WESTERN® outlet/Web site for specific vehicle application recommendations before installation. The Selection List has specific vehicle and snowplow requirements.

SAFETY

SAFETY DEFINITIONS

WARNING

Indicates a potentially hazardous situation that, if not avoided, could result in death or serious personal injury.

CAUTION

Indicates a potentially hazardous situation that, if not avoided, may result in minor or moderate injury. It may also be used to alert against unsafe practices.


NOTE: Indicates a situation or action that can lead to damage to your snowplow and vehicle or other property. Other useful information can also be described.

WARNING/CAUTION & INSTRUCTION LABELS


Become familiar with and inform users about the warning/caution labels on the back of the blade and the instruction label on the headgear.

NOTE: If labels are missing or cannot be read, see your sales outlet.

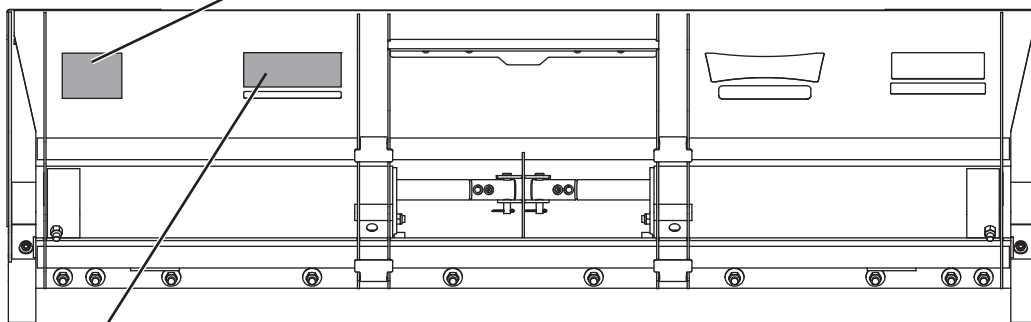
Warning/Caution Label

 WARNING

LOWER BLADE WHEN VEHICLE IS PARKED.
DO NOT EXCEED GVWR OR GAWR INCLUDING BLADE AND BALLAST.
REMOVE BLADE ASSEMBLY BEFORE PLACING VEHICLE ON HOIST.

 CAUTION

READ OWNER'S MANUAL BEFORE OPERATING OR SERVICING SNOWPLOW.
TRANSPORT SPEED SHOULD NOT EXCEED 45 MPH. FURTHER REDUCE SPEED UNDER ADVERSE TRAVEL CONDITIONS.
PLOWING SPEED SHOULD NOT EXCEED 10 MPH.
SEE YOUR SALES OUTLET/WEB SITE FOR SPECIFIC VEHICLE APPLICATION RECOMMENDATIONS.



Instruction Label

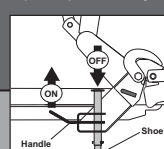
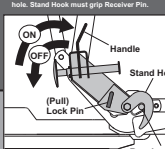
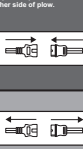
UltraMount INSTRUCTIONS

MOUNTING PLOW (ON) Read Owner's Manual for complete instructions.

STEP 1
After seating plow horns in receiver brackets, pull Handle up; Shoe will lift off the ground.

STEP 2
Pull and hold Lock Pin out; then rotate Handle UP and release Lock Pin. It must lock into UPPER hole. Stand Hook must grip Receiver Pin.

STEP 3
Plug in electrical connections. Repeat steps 1 and 2 on other side of plow.

UltraMount INSTRUCTIONS

REMOVING PLOW (OFF) Read Owner's Manual for complete instructions.

STEP 3
Push down top of Shoe. Shoe will be on the ground. Repeat steps 2 and 3 on other side of plow. Back vehicle away.

STEP 2
Pull and hold Lock Pin out; then rotate Handle DOWN and release Lock Pin. It must lock into LOWER hole.

STEP 1
After lowering blade and turning control off, disconnect electrical connections.

US Patents 4,999,935; 5,403,480; 6,145,222; 6,209,231; 6,253,470; 6,526,677; 6,928,757; 6,941,685; RE 35,700; CAN 2,000,425; and other patents pending. 0779a

Multiple Pinch Points Label



WIDE-OUT™ Blades Only (both sides)

SAFETY

SAFETY PRECAUTIONS

Improper installation and operation could cause personal injury and/or equipment and property damage. Read and understand labels and the Owner's Manual before installing, operating or making adjustments.

⚠ WARNING

Lower blade when vehicle is parked. Temperature changes could change hydraulic pressure, causing the blade to drop unexpectedly or damaging hydraulic components. Failure to do this could result in serious personal injury.

⚠ WARNING

The driver shall keep bystanders clear of the blade when it is being raised, lowered or angled. Do not stand between the vehicle and the blade or within 8 feet of a moving blade. A moving or falling blade could cause personal injury.

⚠ WARNING

Keep hands and feet clear of the blade and A-frame when mounting or removing the snowplow. Moving or falling assemblies could cause personal injury.

⚠ WARNING

Do not exceed GVWR or GAWR including the blade and ballast. The rating label is found on the driver-side vehicle door cornerpost.

⚠ WARNING

To prevent accidental movement of the blade, always turn the ON/OFF switch to OFF whenever the snowplow is not in use. The control indicator light will turn off.

⚠ WARNING

Remove blade assembly before placing vehicle on hoist.

⚠ CAUTION

Refer to the Selection List for minimum vehicle recommendations and ballast requirements.

PERSONAL SAFETY

- Remove ignition key and put the vehicle in park or in gear to prevent others from starting the vehicle during installation or service.
- Wear only snug-fitting clothing while working on your vehicle or snowplow.
- Do not wear jewelry or a necktie, and secure long hair.
- Wear safety goggles to protect your eyes from battery acid, gasoline, dirt and dust.
- Avoid touching hot surfaces such as the engine, radiator, hoses and exhaust pipes.
- Always have a fire extinguisher rated BC handy, for flammable liquids and electrical fires.

FIRE AND EXPLOSION

⚠ WARNING

Gasoline is highly flammable and gasoline vapor is explosive. Never smoke while working on vehicle. Keep all open flames away from gasoline tanks and lines. Wipe up any spilled gasoline immediately.

Be careful when using gasoline. Do not use gasoline to clean parts. Store only in approved containers away from sources of heat or flame.

CELL PHONES

A driver's first responsibility is the safe operation of the vehicle. The most important thing you can do to prevent a crash is to avoid distractions and pay attention to the road. Wait until it is safe to operate Mobile Communication Equipment such as cell phones or two-way radios.

VENTILATION

⚠ WARNING




Vehicle exhaust contains lethal fumes. Breathing these fumes, even in low concentrations, can cause death. Never operate a vehicle in an enclosed area without venting exhaust to the outside.

SAFETY

TORQUE CHART

CAUTION

Read instructions before assembling. Fasteners should be finger tight until instructed to tighten according to the torque chart. Use standard methods and practices when attaching snowplow including proper personal protective safety equipment.

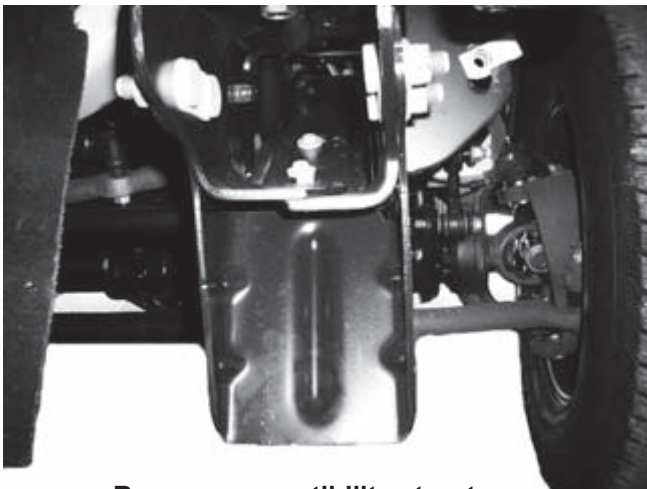
Recommended Fastener Torque Chart (ft-lb)			
Size	 SAE Grade 2	 SAE Grade 5	 SAE Grade 8
1/4-20	6	9	13
5/16-18	11	18	28
3/8-16	19	31	46
3/8-24	24	46	68
7/16-14	30	50	75
1/2-13	45	75	115
9/16-12	66	110	165
5/8-11	93	150	225
3/4-10	150	250	370
7/8-9	150	378	591
1-8	220	583	893
Metric Grade 8.8 (ft-lb)			
Size	Torque	Size	Torque
M 6	7	M 12	60
M 8	17	M 14	95
M 10	35	M 16	155
These torque values apply to fasteners except those noted in the instruction.			

MOUNT INSTALLATION

INSTALLATION INSTRUCTIONS

NOTE: For easier assembly and installation, vehicle and all snowplow components should be on a smooth, level, hard surface, such as concrete.

1. Remove the air dam and bumper. Retain fasteners for later installation.
2. Remove compatibility structures, if equipped. Retain them for reinstallation if snowplow mount is removed.



Remove compatibility structures.



3. Remove the metal sway bar brackets and retain for reinstallation later in this procedure.
4. Completely remove the sway bar fasteners and bolt clips from the keyholes in the truck frame. Retain the fasteners and clips for future reinstallation if the mount kit is removed from the vehicle.
5. Place a spacer inside the passenger side of the truck frame with the slots closest to the center of the vehicle. Insert a 7/16" x 2-1/2" cap screw down through a 7/16" flat washer, the spacer, the truck frame (**and a washer on F-450 and F-550 installations only**).
6. Position the passenger-side rear bracket so the cap screw goes through the appropriate hole. Then place the sway bar in position and align the sway bar bracket so the fastener is in the correct hole. Attach a 7/16" locknut and hand tighten.
7. Insert a second 7/16" x 2-1/2" cap screw through a washer, the spacer, truck frame, (**a washer on F-450 and F-550 installations only**), rear bracket and sway bar bracket. Attach a 7/16" locknut and hand tighten.
8. Insert a 1/2" x 1-1/2" cap screw and 1/2" washer into the truck frame and out through the front hole in the rear bracket. Attach a 1/2" locknut and hand tighten.

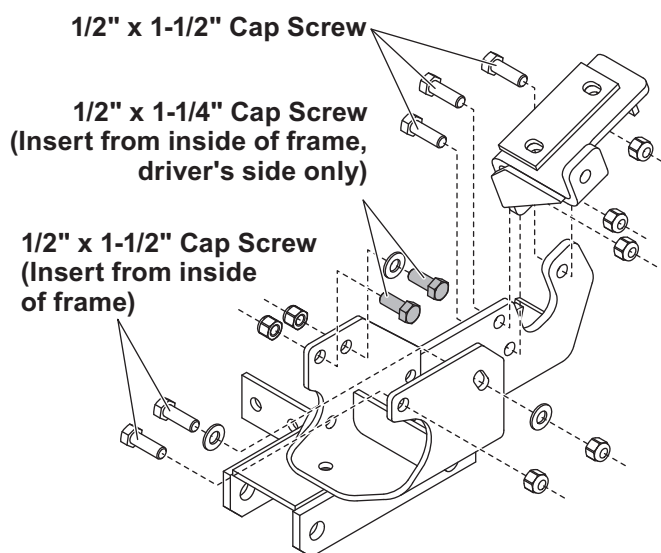
MOUNT INSTALLATION

9. Position the passenger-side mount so that the rear hole is aligned with the rear hole in the bracket. Insert a 1/2" x 1-1/2" cap screw through the hole in the mount and rear bracket, attach a 1/2" locknut and hand tighten.
10. Rotate the mount up against the truck frame. Insert a 1/2" x 1-1/2" cap screw into the inner rear hole at the front of the mount and through the truck frame. Attach a 1/2" washer and locknut on the inside of the truck frame and hand tighten.
11. Insert a 1/2" x 1-1/2" cap screw into the inner front hole in the passenger-side mount. Attach a 1/2" locknut on the inside of the truck frame and hand tighten.
12. Insert a 1/2" x 1-1/2" cap screw and 1/2" washer into the truck frame and out through the outer rear hole in the mount. Attach a 1/2" washer and locknut and hand tighten.
13. Insert a 1/2" x 1-1/2" cap screw into the truck frame and out through the outer front hole in the mount. Attach a 1/2" locknut and hand tighten.
14. Install two more cap screws through the holes in the mount and rear bracket. Attach locknuts to fully secure the rear bracket to the mount. Hand tighten fasteners.

⚠ CAUTION

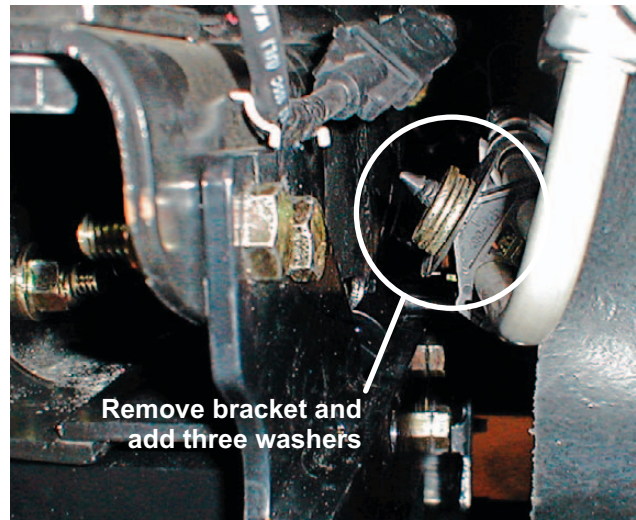
Diesel equipped vehicles must use supplied 1/2" x 1-1/4" cap screws between frame and intercooler to prevent intercooler damage during assembly and use.

15. Repeat steps 5–9 on the driver's side.
16. Rotate the mount up against the truck frame. Insert a 1/2" x 1-1/4" cap screw and 1/2" washer into the truck frame and out through the inner rear hole at the front of the mount. Attach a 1/2" locknut and hand tighten.



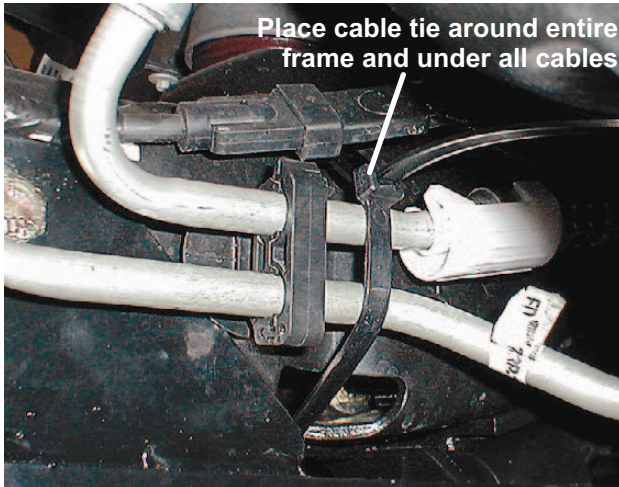
MOUNT INSTALLATION

17. Insert a 1/2" x 1-1/4" cap screw into the truck frame and out through the inner front hole in the driver-side mount. Attach a 1/2" locknut and hand tighten.
18. Insert a 1/2" x 1-1/2" cap screw and 1/2" washer into the truck frame and out through the outer rear hole in the mount. Attach a 1/2" washer and locknut and hand tighten.
19. Insert a 1/2" x 1-1/2" cap screw into the truck frame and out through the outer front hole in the mount. Attach a 1/2" locknut and hand tighten.
20. Install two more 1/2" x 1-1/2" cap screws through the holes in the mount and rear bracket. Attach locknuts to fully secure the rear bracket to the mount. Hand tighten fasteners.
21. Install the cross bar using four 1/2" x 1-1/2" cap screws and 1/2" locknuts. Hand tighten fasteners.
22. Fully tighten rear bracket fasteners according to the torque chart.
23. Make sure the mounts are tight up against the truck frame. Fully tighten the fasteners securing the mount to the truck frame and rear bracket according to the torque chart.
24. Remove the plastic bracket holding the metallic cooling lines from the passenger side of the truck frame. Stack three 1/2" washers over the bracket fastener.

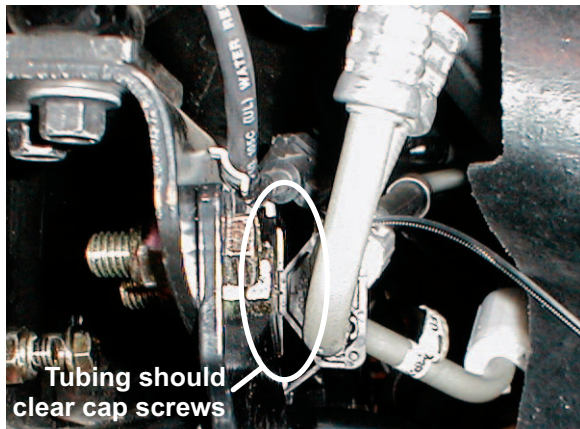


MOUNT INSTALLATION

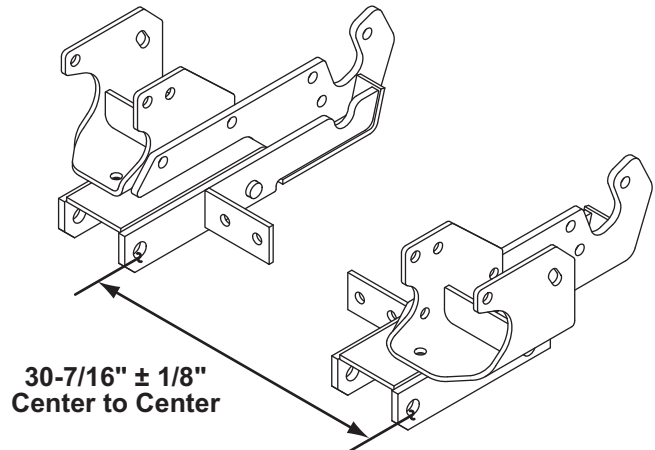
25. Reinsert the fastener into the original hole to hold its position. Wrap the cable tie around the entire frame and tubing behind the bracket. Do not wrap cable tie over any other wires or tubes, or go inside the truck frame.



26. Tighten cable tie until it is snug, taking care not to crimp tubing. Trim excess length.



27. Check for a U-bracket distance of $30\text{-}7/16" \pm 1/8"$. Take a second measurement farther back on the mounts to ensure that they are parallel. If the U-bracket distance is not within $30\text{-}7/16" \pm 1/8"$, then 1/2" flat washers may be used to shim one or both mounts in the appropriate direction to obtain the desired dimension. Tighten all fasteners according to the torque chart after achieving the appropriate dimensions.



28. Reattach the bumper with original fasteners.
29. If the air dam does not clear the U-brackets, notch as needed.

NOTE: Install the 68210 Headlamp Extension Bracket Kit to the lift frame according to the instructions included with the bracket kit.

NOTE: After five to ten hours of snowplow usage, retorque all mount assembly fasteners.



Western Products
PO Box 245038
Milwaukee, WI 53224-9538
www.westernplows.com

 A DIVISION OF DOUGLAS DYNAMICS, L.L.C.

Western Products reserves the right under its product improvement policy to change construction or design details and furnish equipment when so altered without reference to illustrations or specifications used. Western Products or the vehicle manufacturer may require or recommend optional equipment for snow removal. Do not exceed vehicle ratings with a snowplow. Western Products offers a limited warranty for all snowplows and accessories. See separately printed page for this important information. The following are registered (®) or unregistered (™) trademarks of Douglas Dynamics, L.L.C.: UltraMount®, WESTERN®.

Printed in U.S.A.