

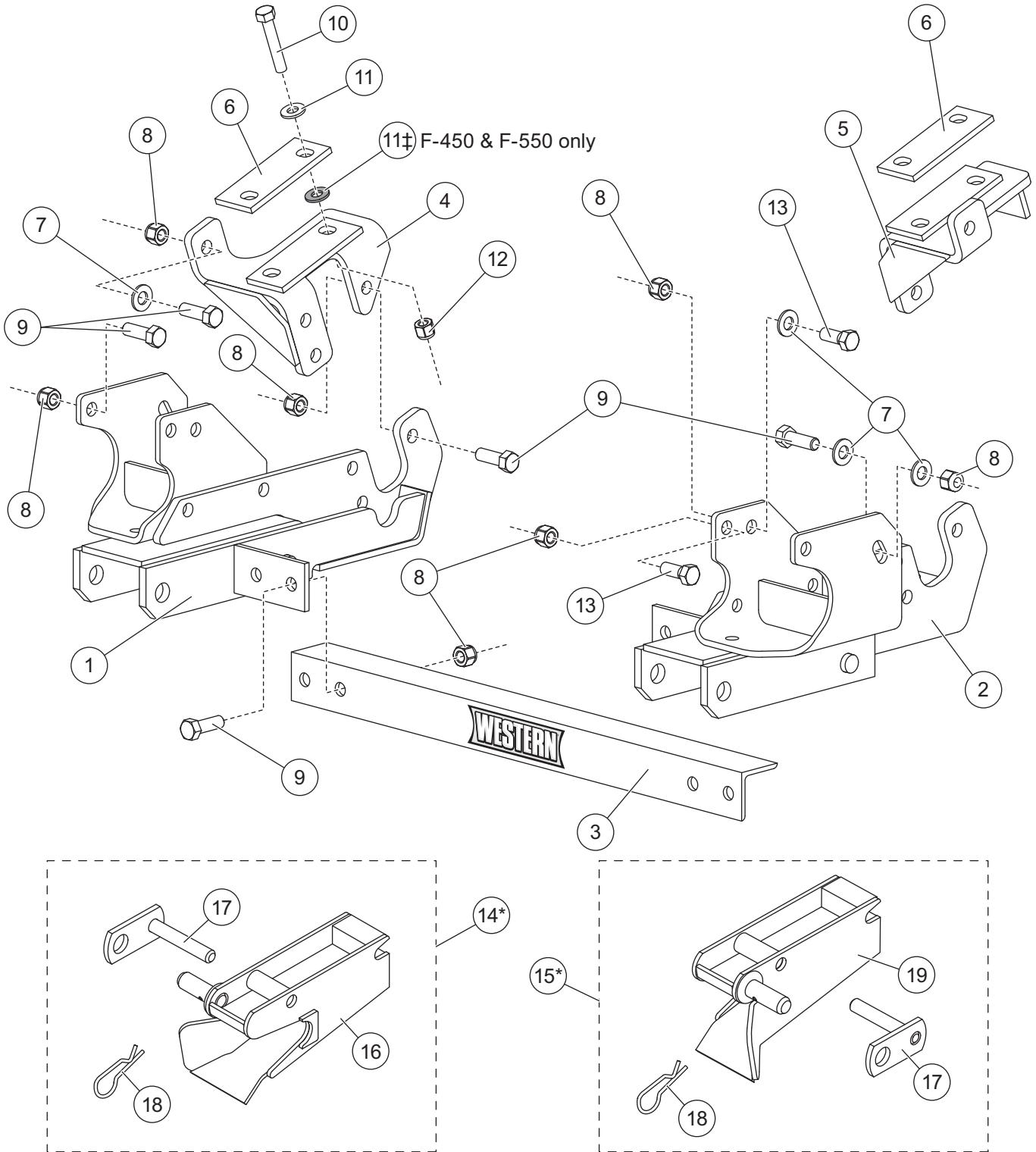


Western Products
PO Box 245038
Milwaukee, WI 53224-9538
www.westernplows.com

DD A DIVISION OF DOUGLAS DYNAMICS, L.L.C.

**31269
MOUNT KIT**

Ford Super Duty F-250/350/450/550
2008 - __



* The Receiver Kits are packaged and sold separately. Items in these kits are not included in the Mount Assembly Box, and must be purchased separately.

PARTS LIST – MODEL 31269

31269 Mount Kit Ford Super Duty							
Item	Part	Qty	Description	Item	Part	Qty	Description
1	68170	1	Mount – PS	5	68194	1	Rear Bracket – DS
2	68172	1	Mount – DS	6	68206	2	Spacer
3	67774	1	Cross Bar w/Name Plate	20	68210	1	Headlamp Extension Bracket Kit
4	68192	1	Rear Bracket – PS	ns	68176	1	Bolt Bag – 31269
68176 Bolt Bag – 31269							
7	90572	11	1/2 Hardened Flat Washer	11‡	91104	8	7/16 Hardened Flat Washer
8	91335	20	1/2-13 Hex Locknut GB Topping	12	29599	4	7/16-20 Hex Locknut G8 Topping
9	90210	18	1/2-13 x 1-1/2 Hex Cap Screw G5	13	90575	2	1/2-13 x 1-1/4 Hex Cap Screw G5
10	29598	4	7/16-20 x 2-1/2 Hex Cap Screw G8	ns	28445	1	Cable Tie Extra Heavy Duty
Item 20	68210 Headlamp Extension Bracket Kit						
21	68212	1	DS Extension Bracket	23	91335	4	1/2-13 Hex Locknut GB Topping
ns	68211	1	PS Extension Bracket	24	90572	2	1/2 Hardened Flat Washer
22	90575	4	1/2-13 x 1-1/4 Hex Cap Screw G5				
ns = not shown				G = Grade			

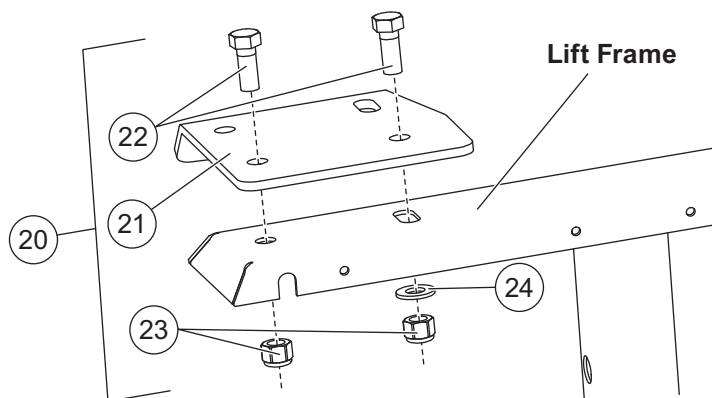
Item 14* 67859 Passenger-Side Receiver Kit *							
Item	Part	Qty	Description	Item	Part	Qty	Description
16		1	Receiver, PS	18	91965K	1	5/32" Hairpin Cotter
17	67665	1	Pin, Receiver				

Item 15* 67858 Driver-Side Receiver Kit *							
Item	Part	Qty	Description	Item	Part	Qty	Description
19		1	Receiver, DS	18	91965K	1	5/32" Hairpin Cotter
17	67665	1	Pin, Receiver				

* The Receiver Kits are packaged and sold separately. Items in these kits are not included in the Mount Assembly Box, and must be purchased separately.

‡ F-250/350 installations require only four washers; F-450/550 installations require eight washers.

Headlamp Extension Bracket Kit



Copyright © 2009 Douglas Dynamics, L.L.C. All rights reserved. This material may not be reproduced or copied, in whole or in part, in any printed, mechanical, electronic, film or other distribution and storage media, without the written consent of Western Products. Authorization to photocopy items for internal or personal use by Western Products outlets or snowplow owner is granted.

Western Products reserves the right under its product improvement policy to change construction or design details and furnish equipment when so altered without reference to illustrations or specifications used. Western Products or the vehicle manufacturer may require or recommend optional equipment for snow removal. Do not exceed vehicle ratings with a snowplow. Western Products offers a limited warranty for all snowplows and accessories. See separately printed page for this important information. The following are registered (®) or unregistered (™) trademarks of Douglas Dynamics, L.L.C.: UltraMount®, WESTERN®.

Printed in U.S.A.