

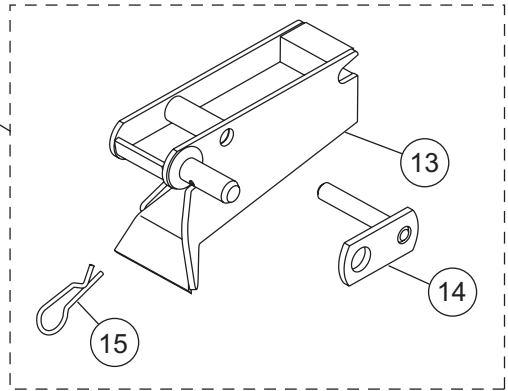
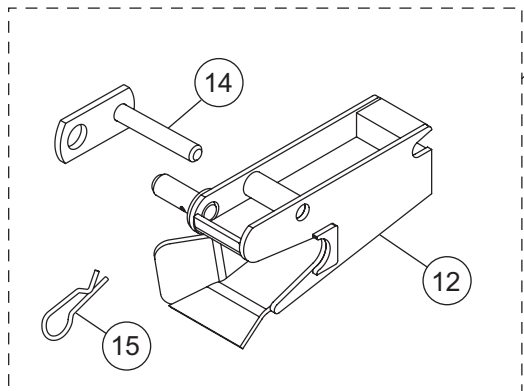
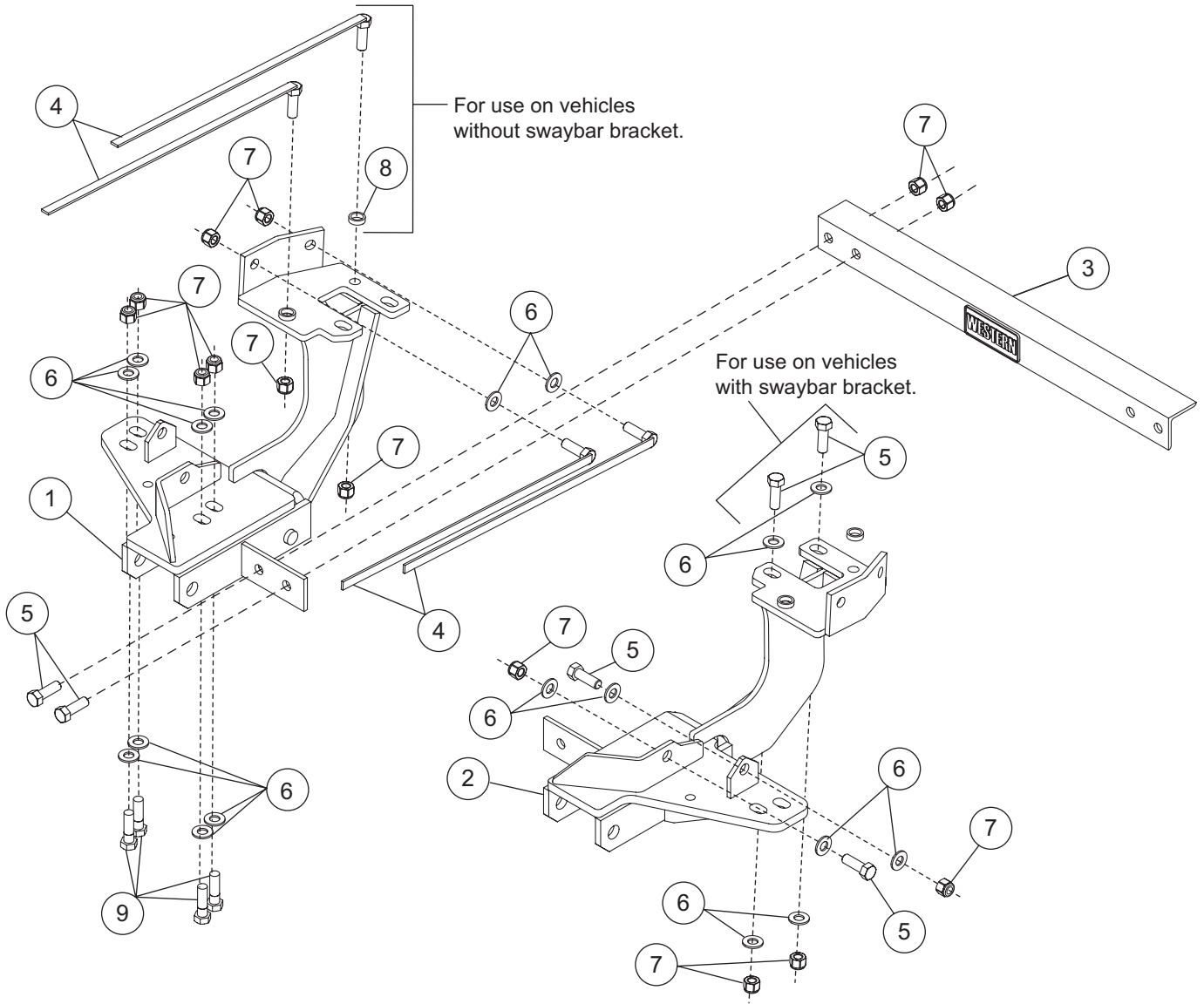


3249 TRUCK MOUNT

Ford SD F250/350/450/550 2004

WESTERN PRODUCTS, P.O. BOX 245038, MILWAUKEE, WI 53224-9538

dd A DIVISION OF DOUGLAS DYNAMICS, L.L.C.



* The Receiver Kit is packaged separately. Items in this kit are are not included in the Mount Assembly Box.

PARTS LIST - MODEL 3249

3249 FORD MOUNT ASSEMBLY						
Item	Part	Qty	Description	Item	Part	Qty Description
1	64448	1	MOUNT, PS	NS	27677	1 BOLT W/HANDLE BAG
2	64447	1	MOUNT, DS	NS	64560	1 BOLT BAG
3	67774	1	BAR, CROSS WITH NAME PLATE	NS	66871	1 FORD BlockerBeam™ WARNING TAG
27677 BOLT W/HANDLE BAG						
4	22314	8	1/2-13 X 1-1/2 HX CS G5 W/HNDL			
64560 BOLT BAG						
5	90210	12	1/2-13 X 1-1/2 HEX CAP SCREW G5	9	90101	8 1/2-13 X 1-3/4 HEX CAP SCREW G5
6	90572	36	1/2 HARDENED FLAT WASHER	NS	61536	8 CABLE TIE – LONG
7	91335	24	1/2-13 HEX LOCKNUT GB	NS	62313	2 5/8 ID X 3" LG CONVOLUTED TUBE
8	22205	2	BUSHING	NS	64562	1 TEMPLATE
			NS = Not Shown	HX CS = Hex Cap Screw		ID = Inside Diameter
			LG = Long			G = Grade

ITEM 10 67859 PASSENGER SIDE RECEIVER KIT *						
12		1	RECEIVER, PS	15	91965K	1 HAIRPIN COTTER 5/32"
14	67665	1	PIN, RECEIVER			

ITEM 11 67858 DRIVER SIDE RECEIVER KIT *						
13		1	RECEIVER, DS	15	91965K	1 HAIRPIN COTTER 5/32"
14	67665	1	PIN, RECEIVER			

*** The Receiver Kit is packaged separately. Items in this kit are not included in the Mount Assembly Box.**

Copyright © 2004 Douglas Dynamics, L.L.C. All rights reserved. This material may not be reproduced or copied, in whole or in part, in any printed, mechanical, electronic, film or other distribution and storage media, without the written consent of Western Products. Authorization to photocopy items for internal or personal use by Western Products outlets or snowplow owner is granted.

Western Products reserves the right under its product improvement policy to change construction or design details and furnish equipment when so altered without reference to illustrations or specifications used. Western Products and the vehicle manufacturer may require and/or recommend optional equipment for snow removal. Do not exceed vehicle ratings with a snowplow. Western Products offers a limited warranty on all snowplows and accessories. See separately printed page for this important information. The following are registered (®) trademarks of Douglas Dynamics, L.L.C: UltraMount® and WESTERN®.

Printed in U.S.A.