

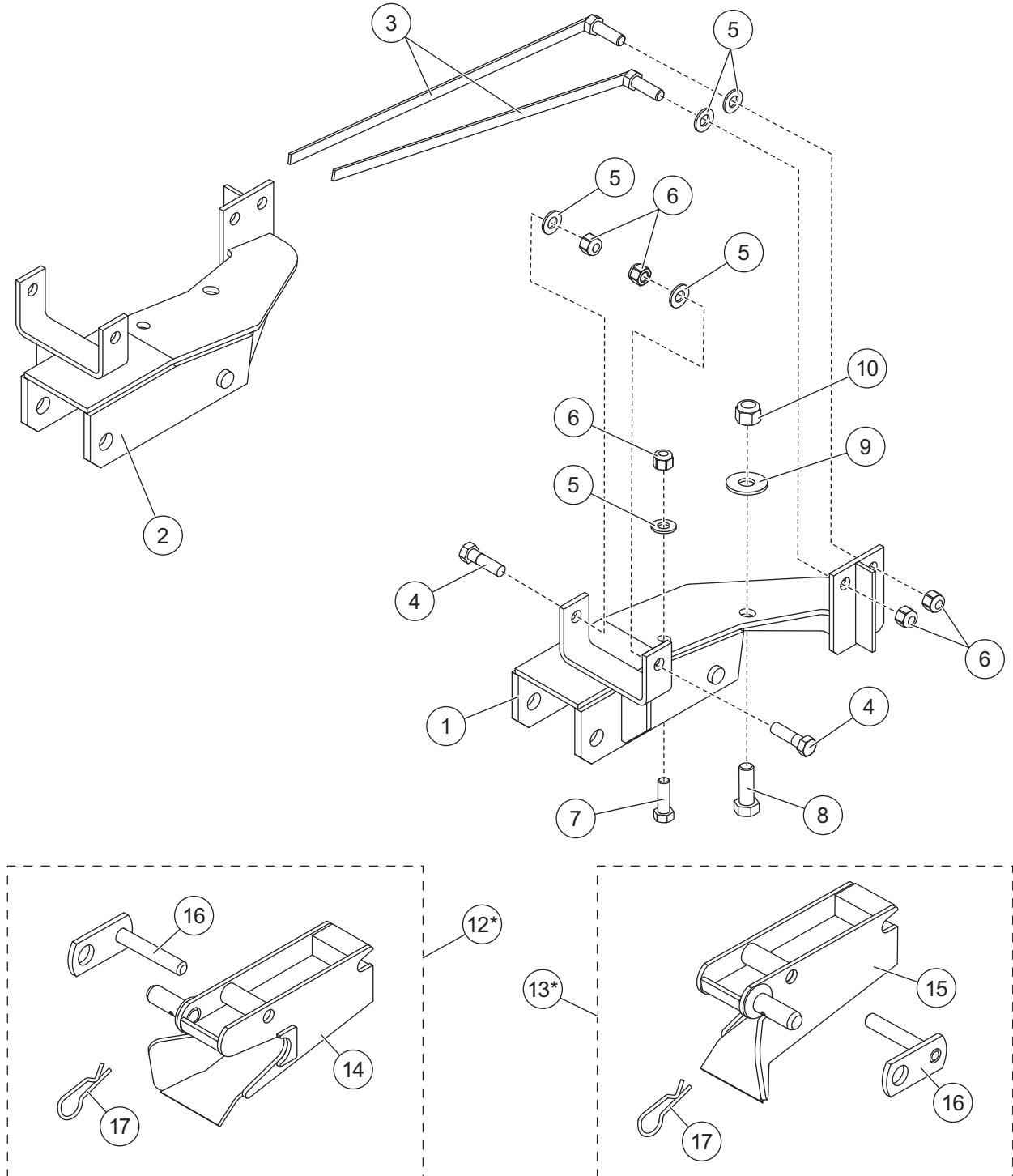


A DIVISION OF DOUGLAS DYNAMICS, L.L.C.

Western Products
PO Box 245038
Milwaukee, WI 53224-9538
www.westernplows.com

64500
MOUNT KIT
MODEL NO. 3239
Ford F-150 4X4

2004 - 08



* The Receiver Kits are packaged and sold separately. Items in these kits are not included in the Mount Assembly Box, and must be purchased separately.

PARTS LIST – MODEL 64500

64500 Ford Mount Assembly 3239							
Item	Part	Qty	Description	Item	Part	Qty	Description
1	64236	1	Mount, DS	3	22314	4	1/2-13 x 1-1/2 Hex Cap Screw G5 w/Handle
2	64237	1	Mount, PS	ns	40779	1	Bolt Bag
40779 Bolt Bag							
4	90101	4	1/2-13 x 1-3/4 Hex Cap Screw G5	9	90576	2	5/8 Flat Washer Hardened
5	90572	10	1/2 Flat Washer Hardened	10	91337	2	5/8-11 Hex Locknut GB Topping
6	91335	10	1/2-13 Hex Locknut GB Topping	†	66449	4	3/4-10 x 2-3/4 Hex Cap Screw G5
7	90210	2	1/2-13 x 1-1/2 Hex Cap Screw G5	†	91338	4	3/4-10 Hex Locknut GB
8	66448	2	5/8-11 x 1-3/4 Hex Cap Screw G5	†	91147	2	3/4 Flat Washer Narrow
ns = not shown				G = Grade			

† = not used for this application.

Item 12* 67859 Passenger-Side Receiver Kit *							
Item	Part	Qty	Description	Item	Part	Qty	Description
14		1	Receiver, PS	17	91965K	1	5/32" Hairpin Cotter
16	67665	1	Pin, Receiver				

Item 13* 67858 Driver-Side Receiver Kit *							
Item	Part	Qty	Description	Item	Part	Qty	Description
15		1	Receiver, DS	17	91965K	1	5/32" Hairpin Cotter
16	67665	1	Pin, Receiver				

*** The Receiver Kits are packaged and sold separately. Items in these kits are not included in the Mount Assembly Box, and must be purchased separately.**

Copyright © 2009 Douglas Dynamics, L.L.C. All rights reserved. This material may not be reproduced or copied, in whole or in part, in any printed, mechanical, electronic, film or other distribution and storage media, without the written consent of Western Products. Authorization to photocopy items for internal or personal use by Western Products outlets or snowplow owner is granted.

Western Products reserves the right under its product improvement policy to change construction or design details and furnish equipment when so altered without reference to illustrations or specifications used. Western Products or the vehicle manufacturer may require or recommend optional equipment for snow removal. Do not exceed vehicle ratings with a snowplow. Western Products offers a limited warranty for all snowplows and accessories. See separately printed page for this important information. The following are registered (®) or unregistered (™) trademarks of Douglas Dynamics, L.L.C.: UltraMount®, WESTERN®.

Printed in U.S.A.