

May 15, 2008
Lit. No. 66881, Rev. 03



67980 MOUNT KIT MODEL No. 989

Dodge Ram W1500/W2500/W3500 1994 - 2002

Installation Instructions

⚠ CAUTION

Read this document before installing the snowplow.

⚠ CAUTION

See your WESTERN® outlet/Web site for specific vehicle application recommendations before installation. The Selection List has specific vehicle and snowplow requirements.

SAFETY

SAFETY DEFINITIONS

⚠ WARNING

Indicates a potentially hazardous situation that, if not avoided, could result in death or serious personal injury.

⚠ CAUTION

Indicates a potentially hazardous situation that, if not avoided, may result in minor or moderate injury. It may also be used to alert against unsafe practices.

NOTE: Indicates a situation or action that can lead to damage to your snowplow and vehicle or other property. Other useful information can also be described.

WARNING/CAUTION & INSTRUCTION LABELS

Become familiar with and inform users about the warning and instruction labels on the back of the blade.

NOTE: If labels are missing or cannot be read, see your sales outlet.

SAFETY PRECAUTIONS

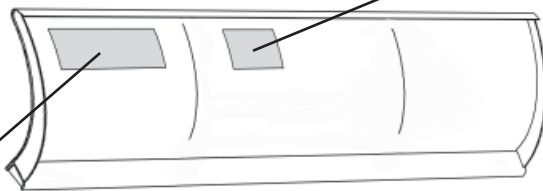
Improper installation and operation could cause personal injury and/or equipment and property damage. Read and understand labels and the Owner's Manual before installing, operating or making adjustments.

⚠ WARNING

Lower blade when vehicle is parked. Temperature changes could change hydraulic pressure, causing the blade to drop unexpectedly or damaging hydraulic components. Failure to do this can result in serious personal injury.

⚠ WARNING

The driver shall keep bystanders clear of the blade when it is being raised, lowered, or angled. Do not stand between the vehicle and the blade or within 8 feet of a moving blade. A moving or falling blade could cause personal injury.



Instruction Label

Warning/Caution Label

⚠ WARNING

LOWER BLADE WHEN VEHICLE IS PARKED.
DO NOT EXCEED GVWR OR GAWR INCLUDING BLADE AND BALLAST.
REMOVE BLADE ASSEMBLY BEFORE PLACING VEHICLE ON HOIST.

⚠ CAUTION

READ OWNER'S MANUAL BEFORE OPERATING OR SERVICING SNOWPLOW.
TRANSPORT SPEED SHOULD NOT EXCEED 45 MPH. FURTHER REDUCE SPEED UNDER ADVERSE TRAVEL CONDITIONS.
PLOWING SPEED SHOULD NOT EXCEED 10 MPH.
SEE YOUR SALES OUTLET/WEB SITE FOR SPECIFIC VEHICLE APPLICATION RECOMMENDATIONS.

INSTRUCTIONS

MOUNTING PLOW (ON) Read Owner's Manual for complete instructions.

STEP 1
After seating plow horns in receiver brackets, pull Handle up; Shoe will lift off the ground.

STEP 2
Pull and hold Lock Pin out; then rotate Handle UP and release Lock Pin. It must lock into UPPER hole. Stand Hook must grip Receiver Pin.

STEP 3
Plug in electrical connections. Repeat steps 1 and 2 on other side of plow.

INSTRUCTIONS

REMOVING PLOW (OFF) Read Owner's Manual for complete instructions.

STEP 1
After lowering blade and turning control off, disconnect electrical connections.

STEP 2
Pull and hold Lock Pin out; then rotate Handle DOWN and release Lock Pin. It must lock into LOWER hole.

STEP 3
Push down top of Shoe; Shoe will be on the ground. Repeat steps 2 and 3 on other side of plow. Back vehicle away.

67795

US Patents 4,999,935; 5,420,480; 6,145,222; 6,209,231; 6,253,470; 6,526,677; 6,928,757; 6,941,885; RE 35,700; CAN 2,060,425; and other patents pending.

SAFETY

⚠ WARNING

Keep hands and feet clear of the blade and A-frame when mounting or removing the snowplow. Moving or falling assemblies could cause personal injury.

⚠ WARNING

Do not exceed GVWR or GAWR including blade and ballast. The rating label is found on driver-side vehicle door cornerpost.

⚠ WARNING

To prevent accidental movement of the blade, always turn the ON/OFF switch to OFF whenever the snowplow is not in use. The control indicator light will turn off.

⚠ WARNING

Remove blade assembly before placing vehicle on hoist.

⚠ CAUTION

Refer to the Selection List for minimum vehicle recommendations and ballast requirements.

PERSONAL SAFETY

- Remove ignition key and put the vehicle in park or in gear to prevent others from starting the vehicle during installation or service.
- Wear only snug-fitting clothing while working on your vehicle or snowplow.
- Do not wear jewelry or a necktie, and secure long hair.
- Wear safety goggles to protect your eyes from battery acid, gasoline, dirt and dust.
- Avoid touching hot surfaces such as the engine, radiator, hoses and exhaust pipes.
- Always have a fire extinguisher rated BC handy, for flammable liquids and electrical fires.

FIRE AND EXPLOSION

⚠ WARNING

Gasoline is highly flammable and gasoline vapor is explosive. Never smoke while working on a vehicle. Keep all open flames away from gasoline tanks and lines. Wipe up any spilled gasoline immediately.

Be careful when using gasoline. Do not use gasoline to clean parts. Store only in approved containers away from sources of heat or flame.

CELL PHONES

A driver's first responsibility is the safe operation of the vehicle. The most important thing you can do to prevent a crash is to avoid distractions and pay attention to the road. Wait until it is safe to operate Mobile Communication Equipment such as cell phones or two-way radios.

VENTILATION




⚠ WARNING

Vehicle exhaust contains lethal fumes. Breathing these fumes, even in low concentrations, can cause death. Never operate a vehicle in an enclosed area without venting exhaust to the outside.

TORQUE CHART

⚠ CAUTION

Read instructions before assembling. Fasteners should be finger tight until instructed to tighten according to the torque chart. Use standard methods and practices when attaching snowplow including proper personal protective safety equipment.

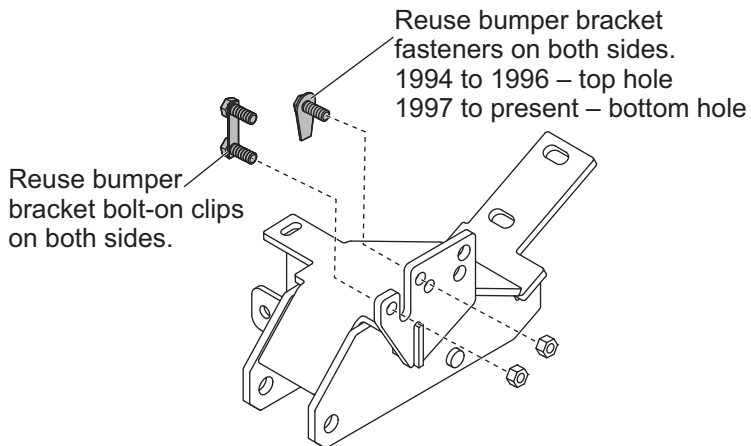
Recommended Fastener Torque Chart (ft-lb)			
Size	 SAE Grade 2	 SAE Grade 5	 SAE Grade 8
1/4-20	6	9	13
5/16-18	11	18	28
3/8-16	19	31	46
3/8-24	24	46	68
7/16-14	30	50	75
1/2-13	45	75	115
9/16-12	66	110	165
5/8-11	93	150	225
3/4-10	150	250	370
7/8-9	150	378	591
1-8	220	583	893
Metric Grade 8.8 (ft-lb)			
Size	Torque	Size	Torque
M 6	7	M 12	60
M 8	17	M 14	95
M 10	35	M 16	155
These torque values apply to fasteners except those noted in the instruction.			

MOUNT INSTALLATION

INSTALLATION INSTRUCTIONS

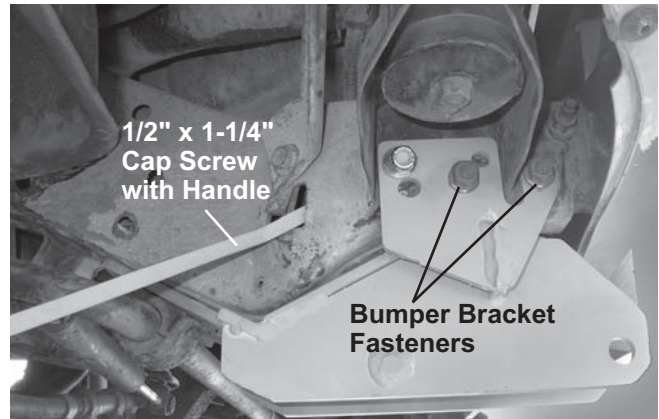
NOTE: For easier assembly and installation, vehicle and all snowplow components should be on a smooth, level, hard surface, such as concrete.

1. Remove the frame brackets from the sway bar and discard the fasteners. Inspect the two forward bumper bracket bolt-on clips. They must point out from the vehicle centerline. If they are pointing toward the centerline, remove and reinstall in the proper orientation by loosely fastening the top nut only (see illustration).

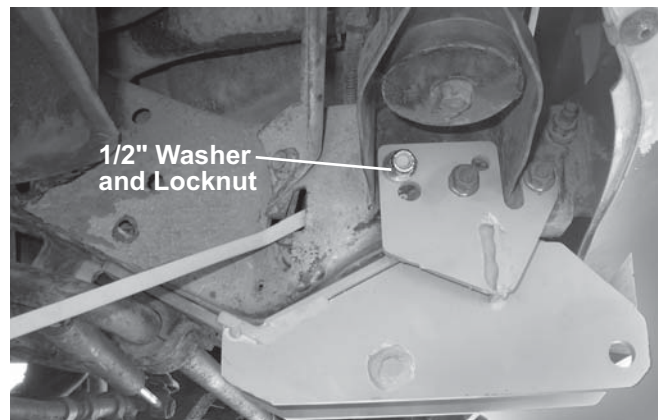


If the bolt-on clips are pointing out from centerline, remove the lower nut and loosen the upper. Remove and save the remaining bumper bracket fastener located to the rear of the bolt-on clip fasteners. On 1500 model trucks the ground wire tap screw interferes with the driver-side mount. Remove and relocate the tap screw.

2. Hang the driver-side mount by the hole in the front of the hanger on the lower bolt in the front bumper bracket. Loosely secure with original nut. **Do not tighten any fasteners until instructed to do so.** Swing the mount into place.

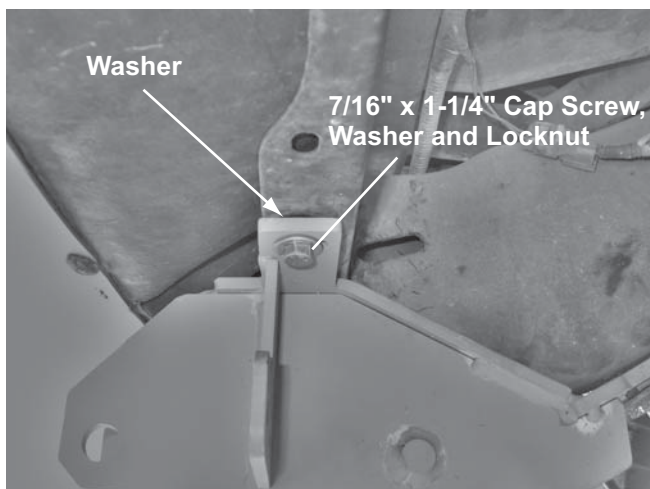


3. Insert a 1/2" x 1-1/4" cap screw with handle and 1/2" washer through the square hole in the frame located just behind the frame cross member. Pass the cap screw through slot in frame and the larger of the three holes in the mount. **Care must be taken to ensure the washer does not fall off cap screw during this operation.**
4. Loosely fasten with a 1/2" washer and 1/2" locknut. Loosely reinstall the single bumper bracket fastener through appropriate hole in the mount.

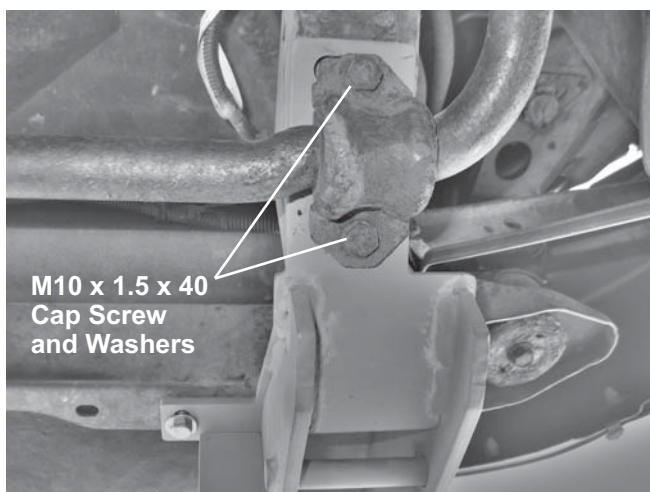


MOUNT INSTALLATION

5. Install a 7/16" x 1-1/4" cap screw with flat washer through slot in mount and frame cross member. Place a 7/16" washer between the mount and cross member. Loosely fasten 7/16" flat washer and locknut. **Do not tighten any fasteners until instructed to do so.**



6. Repeat steps 2, 3, 4 and 5 for the passenger-side mount. Insert a 1/2" x 1-1/4" cap screw with handle in through the square hole with the bumper brace attached and out through frame and top hole on mount. Fasten with 1/2" locknut.
7. Reattach the sway bar brackets to the mounts and frame with four M10 x 1.5 x 40 cap screws, flat washers and lock washers. Install the cross bar to the back of the inner tabs on the mount and attach to the mounts with four 1/2" x 1-1/2" cap screws and nylon nuts.



(Viewed from the back)

8. Tighten the sway bar bolts first and then all remaining fasteners. Tighten all fasteners per torque chart. Bend or trim the handles on all cap screws with handles to prevent contact with any vehicle components.

NOTE: Receivers, receiver pins and hairpin cotters are packaged separately from this vehicle mount kit.

9. On driver's side, slide the rear notch of the receiver over the pin at the rear of the mount. Rotate the front of the receiver upward into the mount U-bracket until the holes in the mount line up with the hole through the receiver. Insert the receiver pin into the aligned holes of the mount and receiver, align the hole in the receiver pin with the post on the receiver. Move the receiver pin inward until the hairpin cotter can be inserted through the hole in the post.
10. Repeat Step 9 on passenger's side.

NOTE: After five to ten hours of snowplow usage, retorque all mount assembly fasteners.



WESTERN PRODUCTS
P.O. BOX 245038
MILWAUKEE, WI 53224-9538
www.westernplows.com

 A DIVISION OF DOUGLAS DYNAMICS, L.L.C.

Western Products reserves the right under its product improvement policy to change construction or design details and furnish equipment when so altered without reference to illustrations or specifications used. Western Products or the vehicle manufacturer may require or recommend optional equipment for snow removal. Do not exceed vehicle ratings with a snowplow. Western Products offers a limited warranty for all snowplows and accessories. See separately printed page for this important information. The following are registered (®) or unregistered (™) trademarks of Douglas Dynamics, L.L.C.: UltraMount®, WESTERN®.