

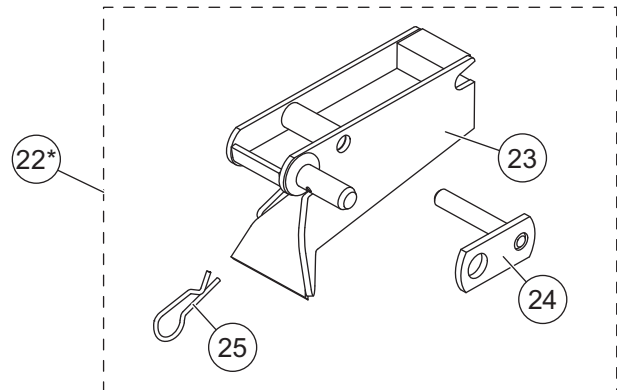
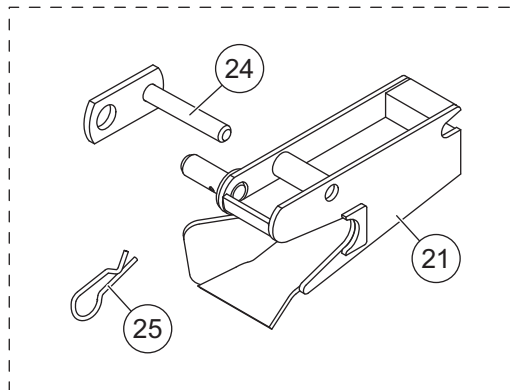
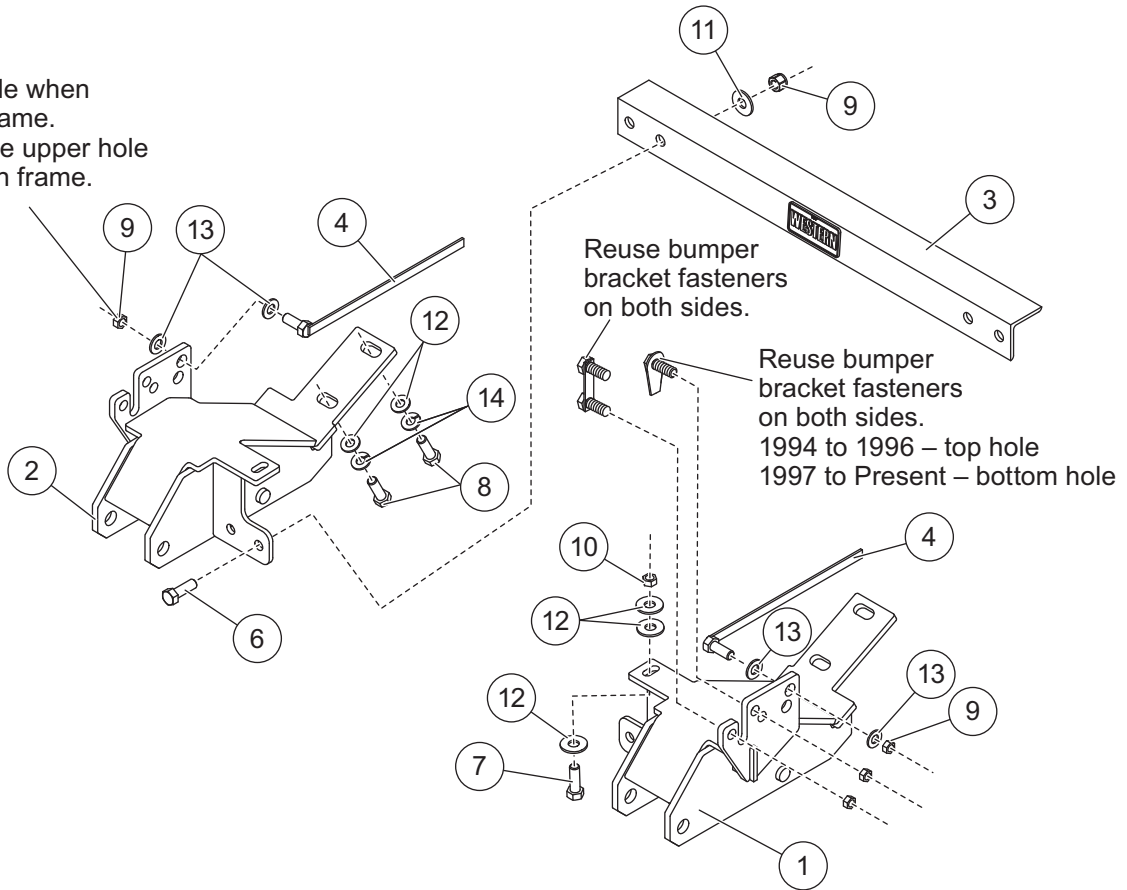


Western Products  
 PO Box 245038  
 Milwaukee, WI 53224-9538  
 www.westernplows.com

**DD** A DIVISION OF DOUGLAS DYNAMICS, L.L.C.

**67980**  
**MOUNT KIT**  
**MODEL NO. 989**  
**Dodge Ram 1500 1994 - 01**  
**Dodge Ram 2500/3500 1994 - 02**

Use lower hole when provided in frame.  
 Otherwise use upper hole through slot in frame.



\* The Receiver Kits are packaged and sold separately. Items in these kits are not included in the Mount Assembly Box, and must be purchased separately.

## PARTS LIST – MODEL 67980

<b>67980 Mount Assembly Kit</b>							
Item	Part	Qty	Description	Item	Part	Qty	Description
1	67601	1	Mount, DS	4	8879	2	1/2-13 x 1-1/4 Hex Cap Screw G5 w/Handle
2	67602	1	Mount, PS				
3	67774	1	Bar, Cross w/Name Plate	ns	67750	1	Bolt Bag
<b>67750 Bolt Bag – 67980</b>							
6	90210	4	1/2-13 x 1-1/2 Hex Cap Screw G5	10	90353	2	7/16-14 Hex Locknut GB
7	90066	2	7/16-14 x 1-1/4 Hex Cap Screw G5	11	91105	4	1/2 Flat Washer
8	97772	4	M10-1.50 x 40 Hex Cap Screw G10.9	12	91104	10	7/16 Flat Washer
				13	90572	4	1/2 Hardened Flat Washer
9	91335	6	1/2-13 Hex Locknut GB	14	91204	4	7/16 Spring Lock Washer
ns = not shown				G = Grade		M = Metric	

<b>Item 20* 67859 Passenger-Side Receiver Kit *</b>							
Item	Part	Qty	Description	Item	Part	Qty	Description
21		1	Receiver, PS	25	91965K	1	5/32" Hairpin Cotter
24	67665	1	Pin, Receiver				

<b>Item 22* 67858 Driver-Side Receiver Kit *</b>							
Item	Part	Qty	Description	Item	Part	Qty	Description
23		1	Receiver, DS	25	91965K	1	5/32" Hairpin Cotter
24	67665	1	Pin, Receiver				

\* The Receiver Kits are packaged and sold separately. Items in these kits are not included in the Mount Assembly Box, and must be purchased separately.

Copyright © 2009 Douglas Dynamics, L.L.C. All rights reserved. This material may not be reproduced or copied, in whole or in part, in any printed, mechanical, electronic, film or other distribution and storage media, without the written consent of Western Products. Authorization to photocopy items for internal or personal use by Western Products outlets or snowplow owner is granted.

Western Products reserves the right under its product improvement policy to change construction or design details and furnish equipment when so altered without reference to illustrations or specifications used. Western Products or the vehicle manufacturer may require or recommend optional equipment for snow removal. Do not exceed vehicle ratings with a snowplow. Western Products offers a limited warranty for all snowplows and accessories. See separately printed page for this important information. The following are registered (®) or unregistered (™) trademarks of Douglas Dynamics, L.L.C.: UltraMount®, WESTERN®.

Printed in U.S.A.