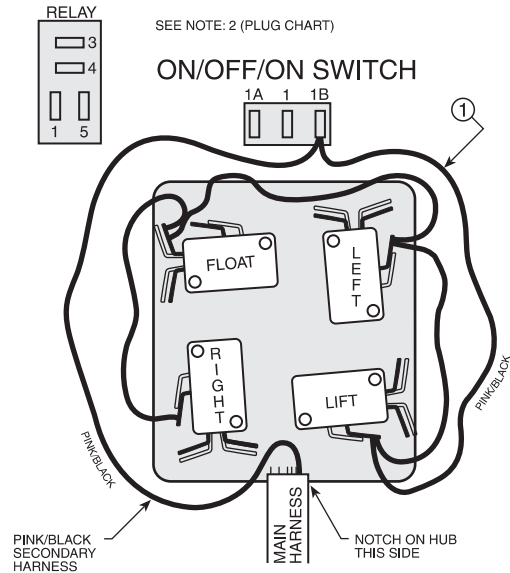


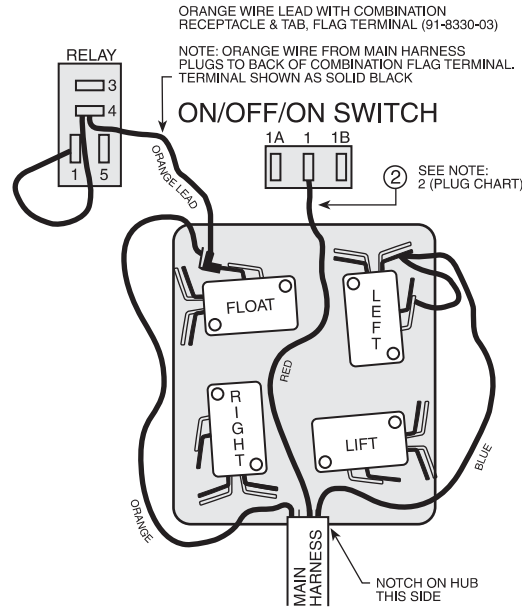
CONTROL STATION (ALL STRAIGHT BLADE MODELS)
 JOYSTICK (2003-2004)
 P/N 62073

- NOT DRAWN TO SCALE
- UNLESS OTHERWISE SPECIFIED ALL DIMENSIONS IN INCHES

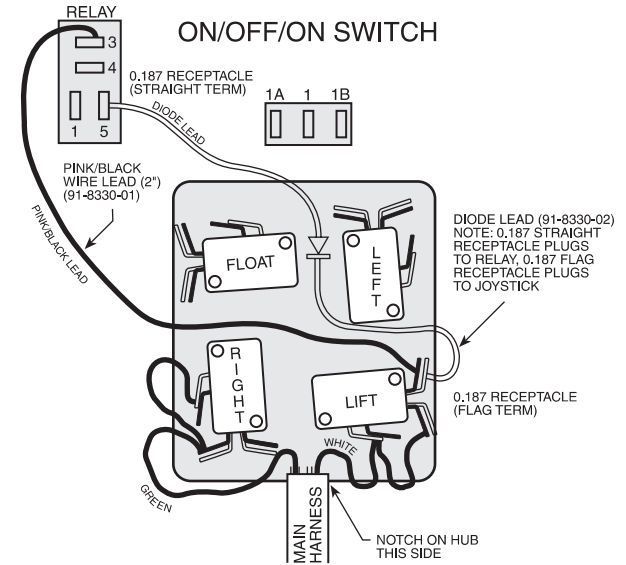
VENDOR P/N: (REF. M.P.M. 91-8330-00 REV C) - (1 OF 7)



PINK/BLACK SECONDARY WIRE HARNESS (91-8330-04)

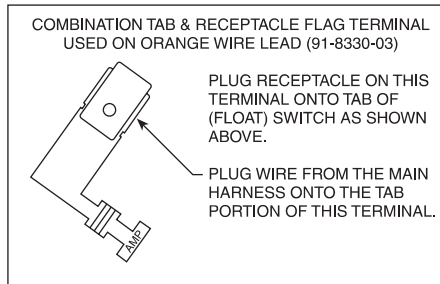


ORANGE, RED & BLUE WIRE & ORANGE LEAD (91-8330-03)

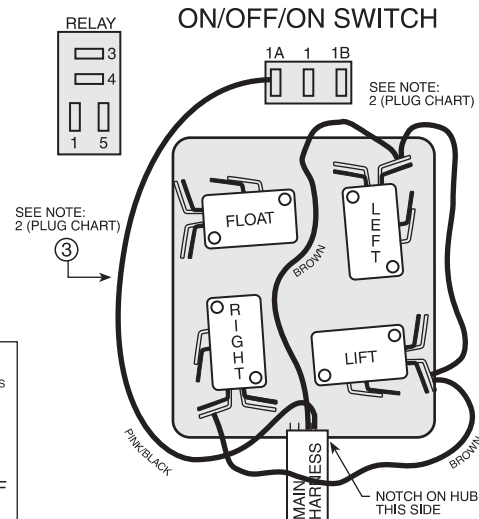


GREEN WIRE, WHITE WIRE PINK/BLACK LEAD (91-8330-01) & DIODE LEAD (91-8330-02)

PIN NO.	COLOR	FUNCTION	AWG
1	N/C	NOT USED	N/A
2	N/C	NOT USED	N/A
3	RED	SWITCH 12 VOLT +	18
4	ORANGE	FLOAT	18
5	N/C	NOT USED	N/A
6	N/C	NOT USED	N/A
7	N/C	NOT USED	N/A
8	WHITE	LIFT	18
9	BROWN	PUMP SOLENOID	18
10	PINK/BLACK	12 (+) DC FUSED	18/20
11	GREEN	RIGHT ANGLE	20
12	BLUE	LEFT ANGLE	20



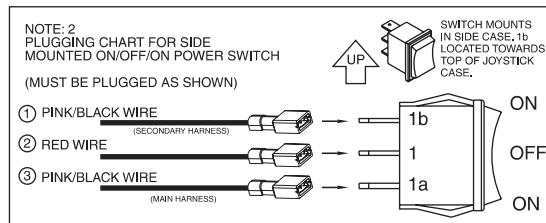
= TOP TERMINALS
 = BOTTOM TERMINALS

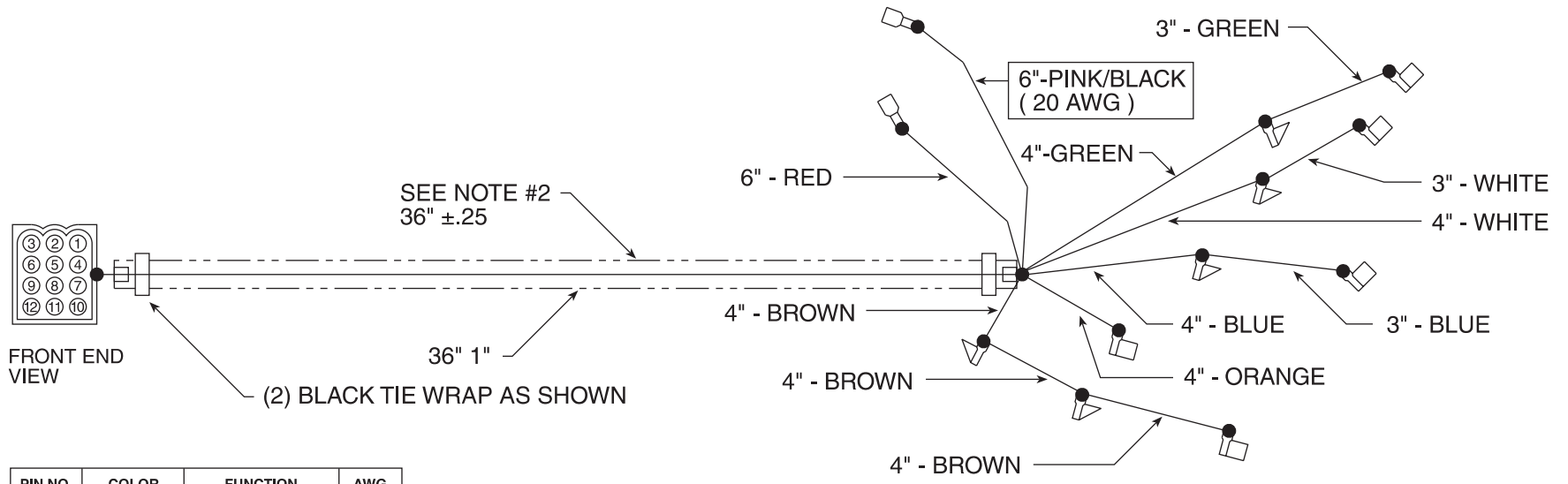


PINK/BLACK WIRE & BROWN WIRE

CONTROL STATION (ALL STRAIGHT BLADE MODELS) WIRING INSTRUCTIONS FOR JOYSTICK - BOTTOM VIEW (2003-2004) FOR ASSEMBLY P/N 62073

- NOT DRAWN TO SCALE
- UNLESS OTHERWISE SPECIFIED ALL DIMENSIONS IN INCHES

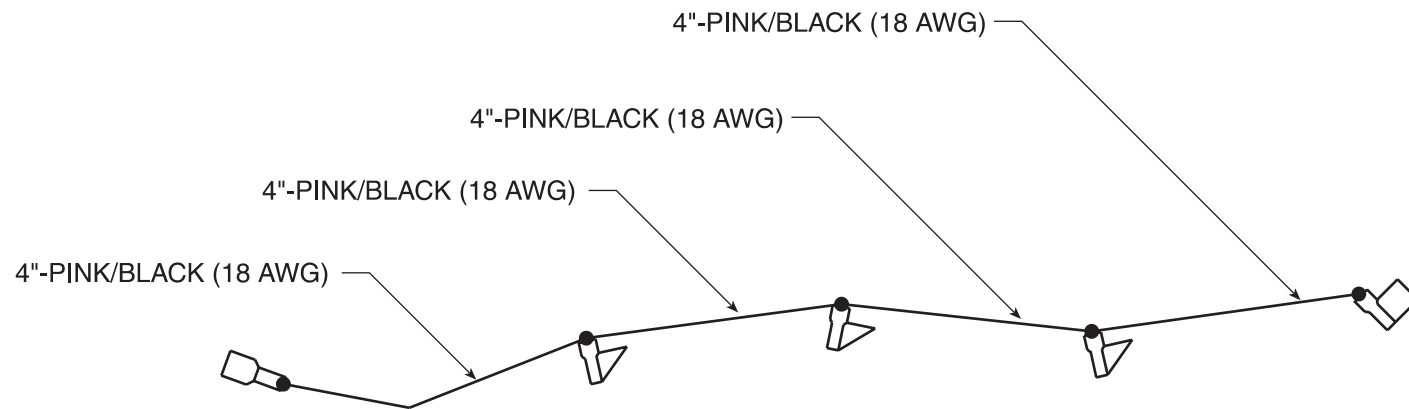




PIN NO.	COLOR	FUNCTION	AWG
1	N/C	NOT USED	N/A
2	N/C	NOT USED	N/A
3	RED	SWITCH 12 VOLT +	18
4	ORANGE	FLOAT	18
5	N/C	NOT USED	N/A
6	N/C	NOT USED	N/A
7	N/C	NOT USED	N/A
8	WHITE	LIFT	18
9	BROWN	PUMP SOLENOID	18
10	PINK/BLACK	12 (+) DC FUSED	NOTE 1
11	GREEN	RIGHT ANGLE	20
12	BLUE	LEFT ANGLE	20

CONTROL STATION (ALL STRAIGHT BLADE MODELS)
MAIN WIRING HARNESS FOR JOYSTICK (2003-2004)
FOR ASSEMBLY P/N 62073

- NOT DRAWN TO SCALE
- UNLESS OTHERWISE SPECIFIED ALL DIMENSIONS IN INCHES

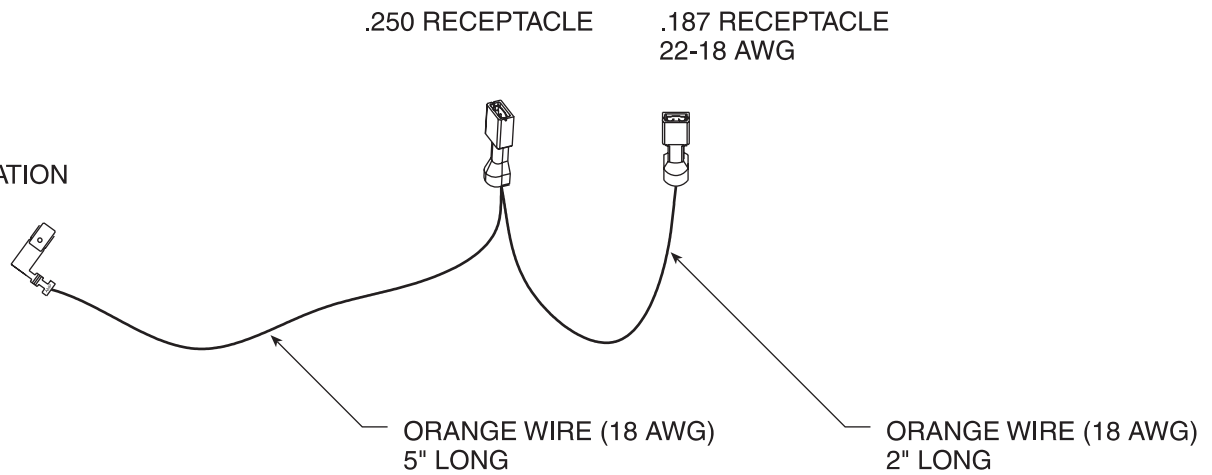


CONTROL STATION (ALL STRAIGHT BLADE MODELS)
PINK/BLACK SECONDARY HARNESS FOR JOYSTICK (2003-2004)

FOR ASSEMBLY P/N 62073

- NOT DRAWN TO SCALE
 - UNLESS OTHERWISE SPECIFIED ALL DIMENSIONS IN INCHES
- VENDOR P/N: (REF. M.P.M. 91-8330-04 REV A) - (4 OF 7)

(NON-INSULATED)
RECEPTACLE & TAB COMBINATION
20-16 AWG



CONTROL STATION (ALL STRAIGHT BLADE MODELS)
ORANGE WIRE LEAD FOR JOYSTICK (2003-2004)
FOR ASSEMBLY P/N 62073

- NOT DRAWN TO SCALE
- UNLESS OTHERWISE SPECIFIED ALL DIMENSIONS IN INCHES

VENDOR P/N: (REF. M.P.M. 91-8330-03 REV B) - (5 OF 7)

0.187 FLAG RECEPTACLE
(22-18 AWG)



0.187 RECEPTACLE
(22-18 AWG)

DIODE
1-1/2" LONG

HEAT SHRINK

CONTROL STATION (ALL STRAIGHT BLADE MODELS)
DIODE LEAD FOR JOYSTICK (2003-2004)
FOR ASSEMBLY P/N 62073

- NOT DRAWN TO SCALE
- UNLESS OTHERWISE SPECIFIED ALL DIMENSIONS IN INCHES

VENDOR P/N: (REF. M.P.M. 91-8330-02 REV A) - (6 OF 7)

0.187 FLAG RECEPTACLE
(22-18 AWG)

.250 RECEPTACLE



PINK/BLACK WIRE (18 AWG)
2" LONG

CONTROL STATION (ALL STRAIGHT BLADE MODELS)
PINK/BLACK WIRE LEAD FOR JOYSTICK (2003-2004)
FOR ASSEMBLY P/N 62073

- NOT DRAWN TO SCALE
- UNLESS OTHERWISE SPECIFIED ALL DIMENSIONS IN INCHES

VENDOR P/N: (REF. M.P.M. 91-8330-01 REV B) - (7 OF 7)