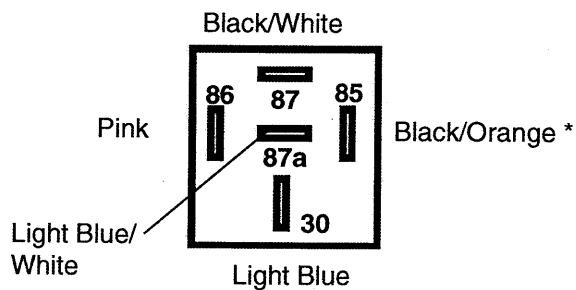


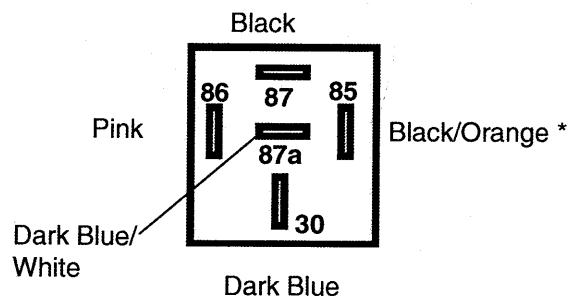
62914 Plug-In Harness Kit Installation Instructions

1. Follow the instructions for the mount with the following exceptions. This harness installation does not require a 61584 DRL Kit. The DRL's will function with either the vehicle or plow lights as required.
2. The **driver-side** of the vehicle uses the two loose adapter harnesses (no braid) provided in this kit. Remove the headlamps to access the headlamp connections. Remove the existing connectors from the headlamps and connect them to the male connectors of the the adapter harnesses. Connect the adapter harness headlamp connectors to the headlamps.
3. Install the braided harness provided in this kit behind the grill and in front of the radiator bulkhead. Install the end of the harness with the headlamp and male connectors behind the curb-side headlamp. Connect the purple wire bullet into the black bullet receptacle attached to the curb-side turn signal wire on the vehicle.
 On the driver-side, connect the purple wire bullet from the 12-pin vehicle harness to the receptacle on the purple wire with the braid.
5. On the **curb-side**, remove the headlamp connectors from the headlamps and mate these connectors with the male connectors on the braided plug-in harness. Connect the plug-in harness headlamp connectors to the vehicle headlamps.
6. Tuck the excess length of braided harness behind the curb-side park lamp housing. Reinstall the curb-side headlamp housing.
7. Behind the **driver-side** headlamp, connect the 12-pin vehicle harness white receptacle to the blue wire blade terminal on the inboard headlamp adapter harness.
 Hint: Use electrical tape to secure the four relays together before attaching wires.
8. Behind the **driver-side** headlamp, connect the wires with the 1/4" receptacles to the four headlamp relays as shown in the diagrams. Wires are from the driver-side adapter harnesses, braided curb-side harness, and 12-pin vehicle harness. Use the tan jumper wire in the kit to connect the fourth relay to the black/orange wires.
9. Tuck relays and wires behind the driver-side park lamp housing. Reinstall the driver-side headlamp housing.

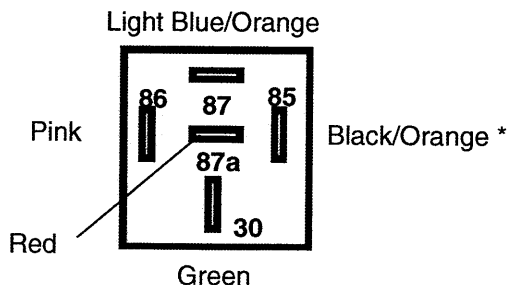
Driver-Side Low Beam Headlamp



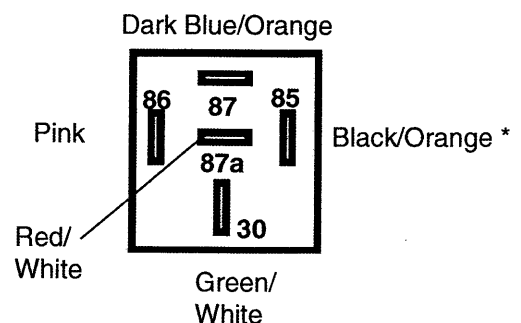
Curb-Side Low Beam Headlamp



Driver-Side High Beam Headlamp



Curb-Side High Beam Headlamp



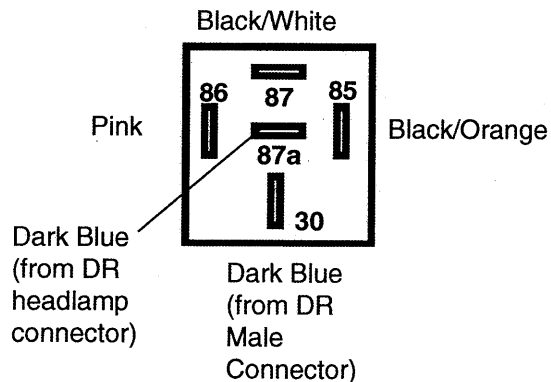
*The tan jumper wire will replace the black/orange wire between any two of the four relays.

62914 Plug-In Harness Kit Installation Instructions

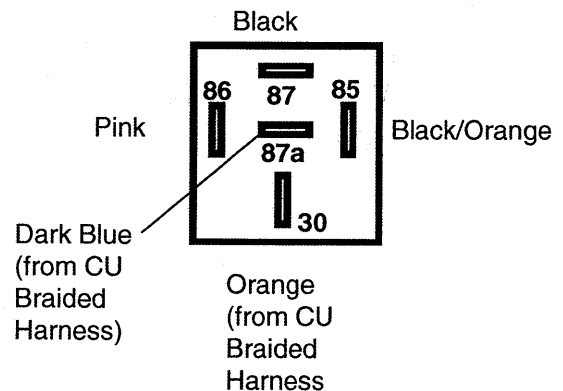
For Rev 0 Harnesses Only

1. Follow the instructions for the mount with the following exceptions.
2. The **driver-side** of the vehicle uses the two loose adapter harnesses (no braid) provided in this kit. Remove the headlamps to access the headlamp connections. Remove the existing connectors from the headlamps and connect them to the black male connectors of the the adapter harnesses. Connect the adapter harness headlamp connectors to the headlamps.
3. Install both of the braided harnesses provided in this kit behind the grill and in front of the radiator bulkhead. Install the end of the harness with the headlamp and male connectors behind the curb-side headlamp. Install the bullet end of the braid with the purple wire behind the curb-side headlamp.
4. Connect the purple wire bullet into the black bullet receptacle attached to the curb-side turn signal wire on the vehicle. On the driver-side, connector the purple wire bullet from the 12-pin vehicle harness to the receptacle on the purple wire with the braid.
5. On the **curb-side**, remove the headlamp connectors from the headlamps and mate these connectors with the male connectors on the plug-in harness. Connect the plug-in harness headlamp connectors to the vehicle headlamps.
6. Tuck the excess length of braided harness behind the curb-side park lamp housing. Reinstall the curb-side headlamp housing.
7. Behind the **driver-side** headlamp, connect the 12-pin vehicle harness white receptacle to the blue wire blade terminal on the inboard headlamp adapter harness.
Hint: Use electrical tape to secure the four relays together before attaching wires.
8. Behind the **driver-side** headlamp, connect the wires with the 1/4" receptacles to the four headlamp relays as shown in the diagrams. Wires are from the driver-side adapter harnesses, braided curb-side harness, and 12 pin vehicle harness. Use the two tan jumper wires in the kit to connect the fourth relay to the pink and black/orange wires.
9. Tuck relays and wires behind the driver-side park lamp housing. Reinstall the driver-side headlamp housing.

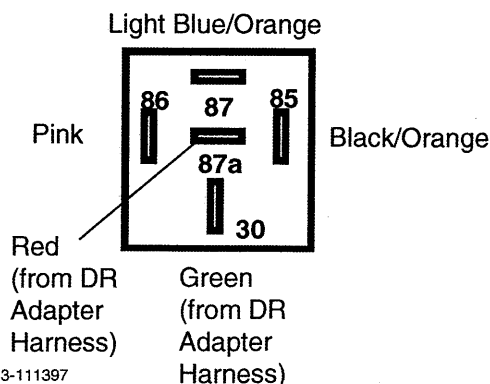
Driver-Side Low Beam Headlamp



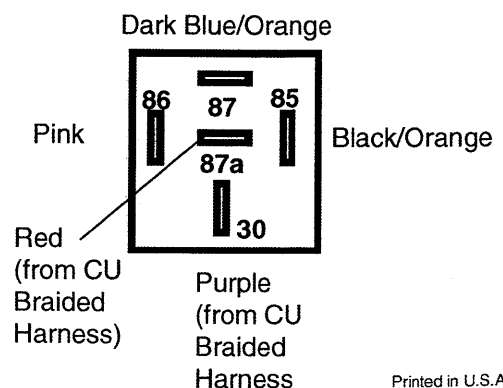
Curb-Side Low Beam Headlamp



Driver-Side High Beam Headlamp



Curb-Side High Beam Headlamp



Wiring Diagram Harness Type - D w/ 12 Pin Headlamp Kit & SAE Headlamp Type HB-3 & HB-4 with Automatic Exterior Light Control With 12- Pin Vehicle Harness w/ DRL's



Solenoid Control — 12-Pin Vehicle Harness Revision 8 & later - The control indicator light will light whenever the control ON/OFF switch and the ignition (key) switch are both turned ON. The plow cable and plow harness do not need to be connected to the vehicle cable assembly and vehicle harness for the control light to be on.

