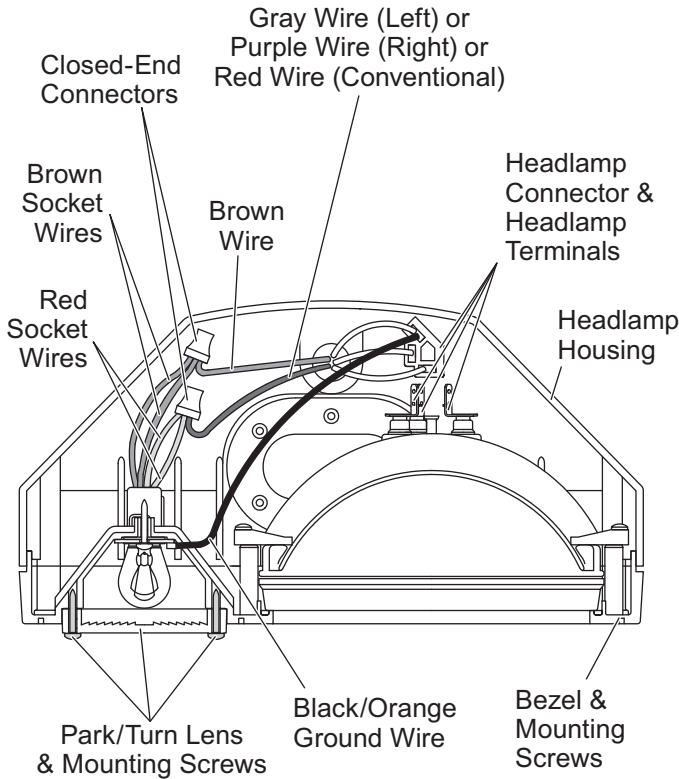


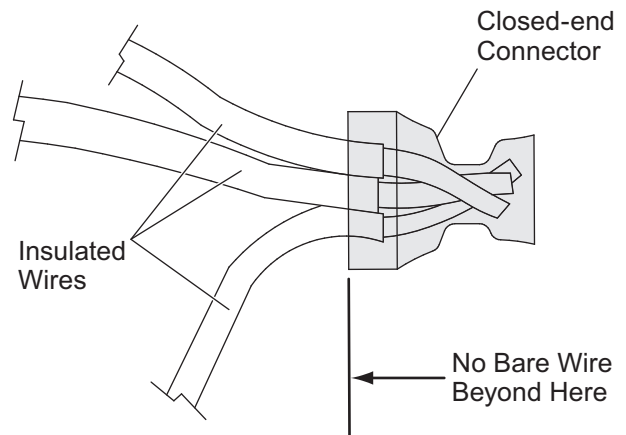
INSTALLATION INSTRUCTIONS

Bezel kits contain four #8-32 x 1-3/8" machine screws for housings with brass inserts and four #8 x 1-1/2" tapping screws for housings without brass inserts.



1. Remove two screws from park/turn lens and remove the lens.
2. Remove the two park/turn signal bulbs.
3. Remove four screws from the bezel and remove bezel. Temporarily disconnect headlamp connector from headlamp.
4. Remove screw from black/orange wire attached to corner of the socket mounting bar.
5. Remove the screw from the middle of the socket mounting bar. On conventional systems, this also removes the ground wire.

6. Cut wires as close as possible to the closed end connectors to remove socket wires.
7. Strip 1/2" of insulation from the brown and gray or purple wires in the housing on detachable snowplows or brown and red wires on conventional systems.
8. If replacing bezel, remove four screws and fingers retaining sealed beam headlamp. Remove headlamp and keeping same orientation, install in new bezel using new gasket. Headlamp should read 2E1 at the top when installed into housing.
9. Mount the socket in the bezel using the furnished #8 x 1" screw. On conventional systems, include the ground wire from the housing under this screw head.
10. Insert the park/turn bulbs into the sockets.
11. Attach the black/orange ground wire to the hole in the corner of the socket mounting bar with the furnished #8 x 1" screw.
12. Gather the two brown wires from the sockets and the brown wire from the housing. Insert all three wires into a closed end connector and crimp connector in place.
13. Gather the two red wires from the sockets and either the gray, purple or red wire from the housing. Insert all three wires into a closed end connector and crimp connector in place.



14. Verify that no bare copper wire is exposed beyond the opening of the closed end connector.

15. Reconnect headlamp connector to headlamp terminals. Assemble the bezel to the housing using four existing screws. Hand tighten screws until bezel is clamped securely, maximum 20 in-lb. Overtightening can strip out the screw hole.
16. Assemble the park/turn lens to the bezel and secure with two existing screws.
17. Verify that park, left and right turn signals and headlamps work correctly.

The company reserves the right under its product improvement policy to change construction or design details and furnish equipment when so altered without reference to illustrations or specifications used. This equipment manufacturer or the vehicle manufacturer may require or recommend optional equipment for snow removal. Do not exceed vehicle ratings with a snowplow. The company offers a limited warranty for all snowplows and accessories. See separately printed page for this important information.

Printed in U.S.A.
