

Fisher Engineering

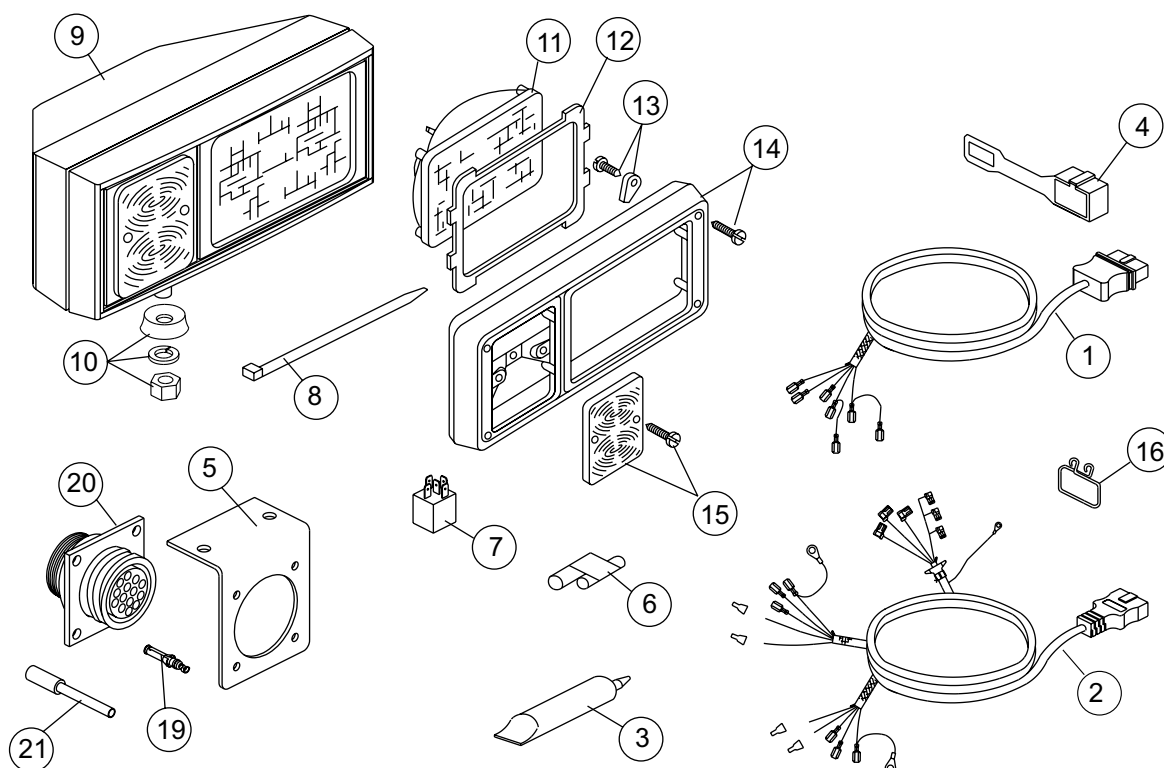
P.O. Box 529 Rockland, Maine 04841

June 15, 1998

No. 21810



Snowplow Headlight Kit Parts Lists and Diagrams



Parts List

Ref #	Part #	Qty	Description	Ref #	Part #	Qty	Description
1	66790*	1	EZ-V® Vehicle Harness	12	6664	1	Sealed Beam Gasket Set (1 pr)
2	66622	1	EZ-V Plow Harness	13	A6153	1	2E1 Retainer Fingers w/ Screws (4 ea)
3	8329K	1	Dielectric Grease Tube	14	6122	1	Bezel with Fasteners (DS or PS)
4	8291	2	Plug Cover	15	6123	1	Park/Turn Lens w/ Fasteners (DS or PS)
5	66634	1	Connector Mounting Bracket	16	20128	1	Hook
6	5776	3	Bullet Receptacle Connector	19	22123	1	Socket Pin Connector (10 pk)
7	8293	2	Headlamp Relay	20	56497	1	14-pin Receptacle
8	3666	8	Cable Tie	ns	8704	1	Ring Terminal
9	8328	1	Replacement Headlamp (DS or PS)	ns	8738	1	Heat Shrink Butt Connector
10	6128	1	Headlamp Swivel and Fasteners	ns	56496*	1	EZ-V Connector Bag Assembly
11	6728	2	2E1 Sealed Beam Light – Halogen Type	ns		4	Park/Turn Signal Bulb (No. 115)

ns = not shown

* Part of service Kit 66610

8427

V

8427 EZ-V® Light Kit			
Ref #	Part #	Qty Req	Description
-	21643	1	Headlamp Assembly
-	66790	1	EZ-V Vehicle Harness
-	56496	1	Light Kits Parts Bag

66610 Parts List			
Ref #	Part #	Qty Req	Description
1	66790	1	EZ-V Vehicle Harness
ns	56496	1	EZ-V Connector Bag Assembly
ns= not shown			

56496 Light Kit Parts Bag			
Ref #	Part #	Qty Req	Description
5	66634	1	Connector Mounting Bracket
20	56497	1	14-pin Receptacle
21	66767	1	Pin Removal Tool
ns	80134	4	#6 x ¼" PH PN TCTS TY F ZP/ZYC
ns	90597	4	#6 Lock Washer
ns	5800	2	#8018 x 5/8" SLHXW TFS Hi-Lo BPO
ns	56496	1	EZ-V Connector Bag Assembly
ns= not shown			

Copyright © 1998 Douglas Dynamics. L.L.C. All rights reserved. This material may not be reproduced or copied, in whole or in part, in any printed, mechanical, electronic, film or other distribution and storage media, without the written consent of Fisher Engineering. Authorization to photocopy items for internal or personal use by Fisher Engineering outlets is granted.

Fisher Engineering reserves the right under its product improvement policy to change construction or design details and furnish equipment when so altered without reference to illustrations or specifications used herein. Fisher Engineering and the vehicle manufacturer may require and/or recommend optional equipment for snow removal. Fisher Engineering offers a limited warranty for all snowplows and accessories. See separately printed page for this important information. The following are registered (®) and unregistered (™) trademarks of Douglas Dynamics, L.L.C.: EZ-V®, FISHER®

Printed in USA