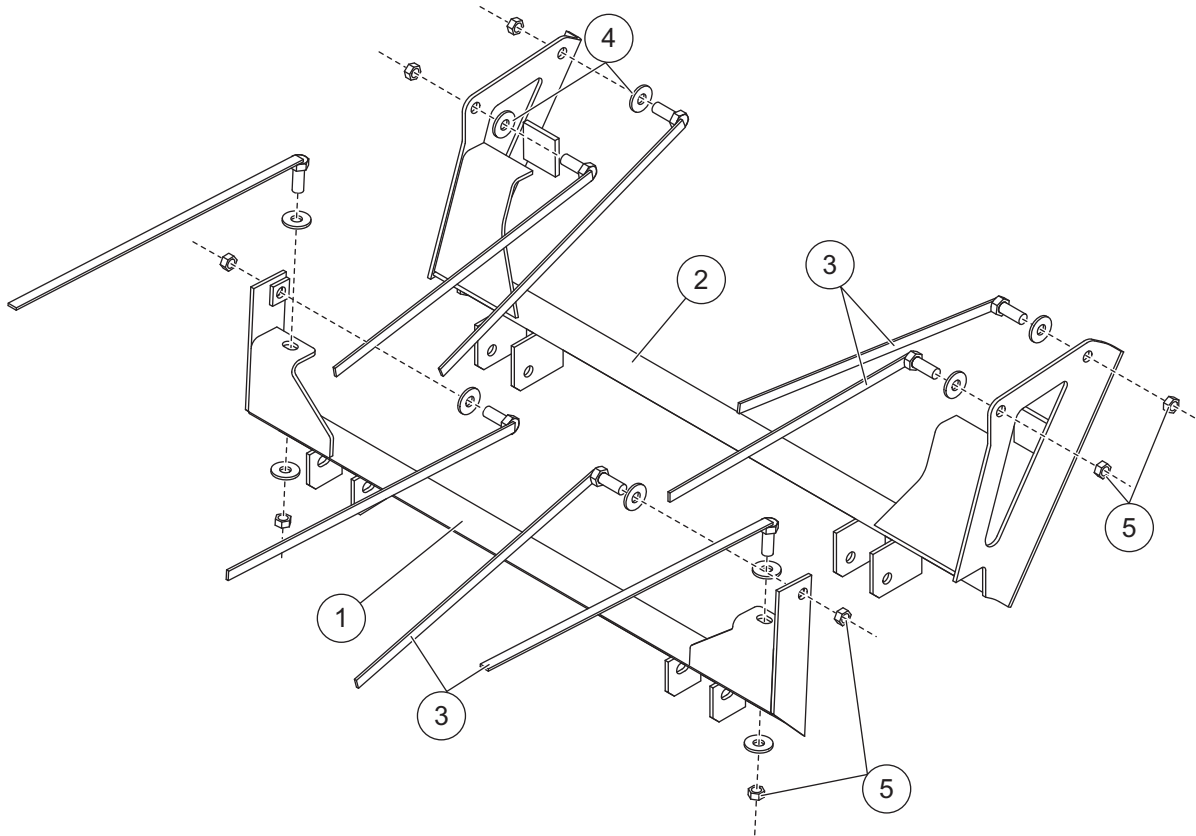


**MOUNT KIT PERSONAL PLOW Ford/Mazda B3000/B4000 1999 - \_\_  
 Ranger 1998 - \_\_ / Explorer 1996 - 01 / Explorer Sport Trac 2001 - 06 1203**

January 15, 2009  
 Lit. No. 27647, Rev. 06

**PARTS LIST**



1203 Mount Kit							
Item	Part	Qty	Description	Item	Part	Qty	Description
1	27416	1	Front Mount	3	22314	8	1/2-13 x 1-1/2 Hex Cap Screw G5 w/Handle
2	27417	1	Rear Mount	ns	27644	1	Bolt Bag – 1203
27644 Bolt Bag – 1203							
4	90572	10	1/2 Hardened Flat Washer	ns	62313	2	5/8 x 3 Convoluted Tube
5	91335	8	1/2-13 Hex Locknut GB Topping				
ns = not shown				G = Grade			

Copyright © 2009 Douglas Dynamics, L.L.C. All rights reserved. This material may not be reproduced or copied, in whole or in part, in any printed, mechanical, electronic, film or other distribution and storage media, without the written consent of the company. Authorization to photocopy items for internal or personal use by the company's outlets or snowplow owner is granted.

The company reserves the right under its product improvement policy to change construction or design details and furnish equipment when so altered without reference to illustrations or specifications used. This equipment manufacturer or the vehicle manufacturer may require or recommend optional equipment for snow removal. Do not exceed vehicle ratings with a snowplow. The company offers a limited warranty for all snowplows and accessories. See separately printed page for this important information.

**Printed in U.S.A.**

---