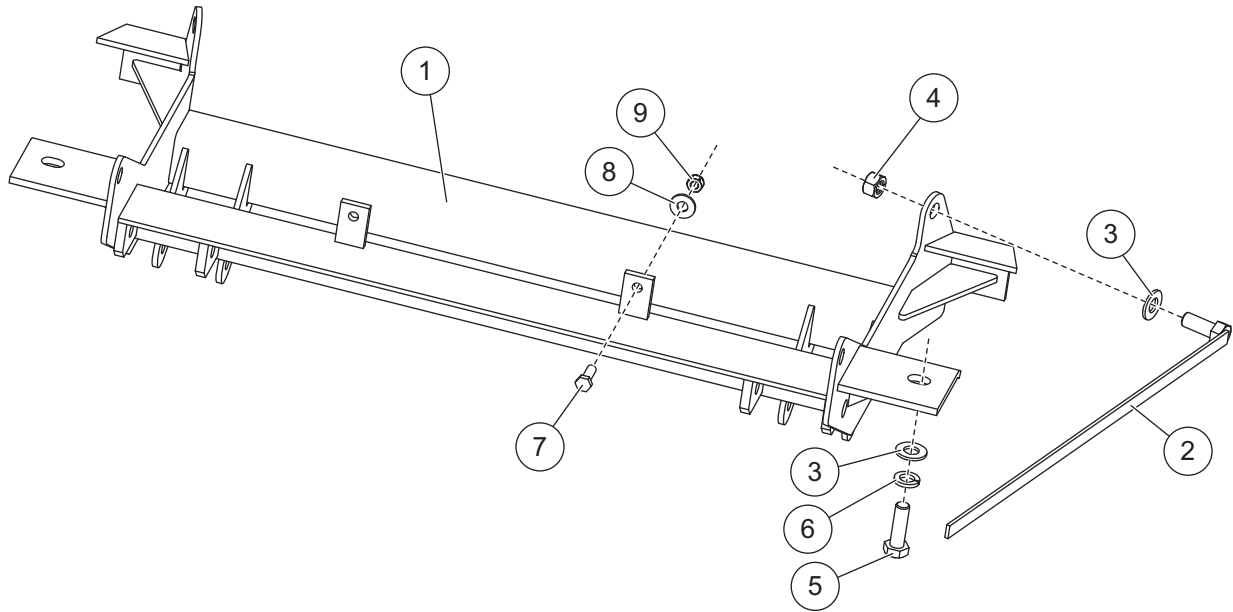


January 1, 2009
Lit. No. 28026, Rev. 05

PARTS LIST



1523 Mount Kit							
Item	Part	Qty	Description	Item	Part	Qty	Description
1		1	Truck Mount	ns	28024	1	Bolt Bag – 1523
2	21314	2	1/2-13 x 1-1/4 Hex Cap Screw G5 w/Handle				
28024 Bolt Bag – 1523							
3	90572	4	1/2 Hardened Flat Washer	7	68494	2	5/16-18 x 1 Hex Cap Screw G5
4	91335	2	1/2-13 Hex Locknut GB	8	90313	2	5/16 Wide Flat Washer Type A
5	90669	2	M12-1.75 x 40 Hex Cap Screw G8.8	9	91332	2	5/16-18 Hex Locknut GB
6	95174	2	M12 Spring Lock Washer				
ns = not shown				G = Grade			

Copyright © 2009 Douglas Dynamics, L.L.C. All rights reserved. This material may not be reproduced or copied, in whole or in part, in any printed, mechanical, electronic, film or other distribution and storage media, without the written consent of the company. Authorization to photocopy items for internal or personal use by the company's outlets or snowplow owner is granted.

The company reserves the right under its product improvement policy to change construction or design details and furnish equipment when so altered without reference to illustrations or specifications used. This equipment manufacturer or the vehicle manufacturer may require or recommend optional equipment for snow removal. Do not exceed vehicle ratings with a snowplow. The company offers a limited warranty for all snowplows and accessories. See separately printed page for this important information.

Printed in U.S.A.
