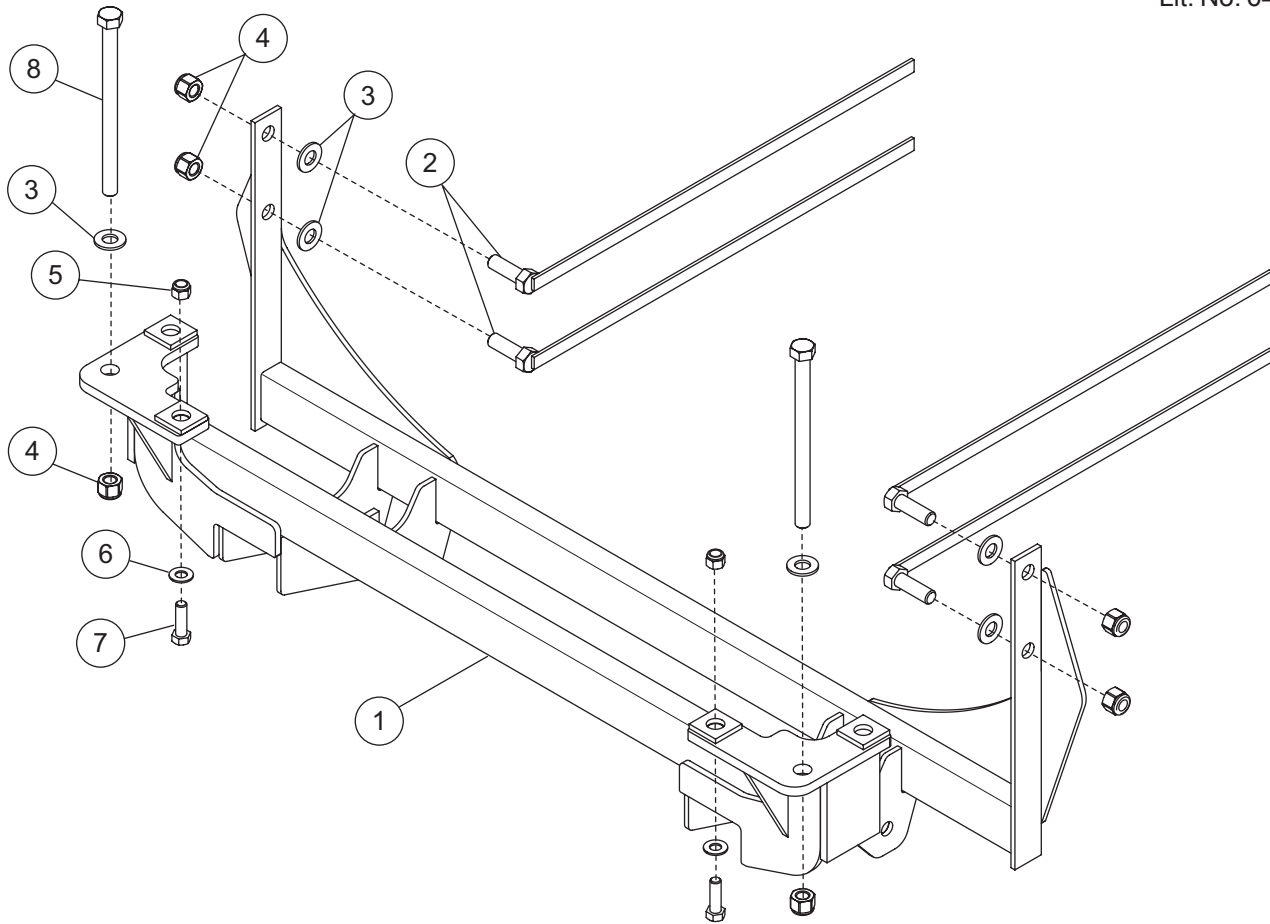


Personal Plow Mount Parts List and Diagram

December 1, 2004
 Lit. No. 64415



1533 Truck Mount			
Item	Part	Qty	Description
1		1	Truck Mount
ns	64411	1	Bolt Bag 1533
64411 Bolt Bag 1533			
2	22314	4	1/2-13x1-1/2 Hex Cap Screw w/Handle G5
3	90572	6	1/2 Hardened Flat Washer
4	91335	6	1/2-13 Hex Lock Nut GB
5	91333	2	3/8-16 Hex Lock Nut GB
6	63925	2	3/8 Hardened Flat Washer
7	66456	2	3/8-16x1-1/4 Hex Cap Screw G5
8	64273	2	1/2-13x7 Hex Cap Screw G8
ns = not shown		G = grade	

Copyright © 2004 Douglas Dynamics, L.L.C. All rights reserved. This material may not be reproduced or copied, in whole or in part, in any printed, mechanical, electronic, film or other distribution and storage media, without the written consent of the company. Authorization to photocopy items for internal or personal use by the company's outlets or snowplow owner is granted.

The company reserves the right under its product improvement policy to change construction or design details and furnish equipment when so altered without reference to illustrations or specifications used. Do not exceed vehicle ratings with a snowplow. The company offers a limited warranty for all snowplows. See separately printed page for this important information.

Printed in USA