

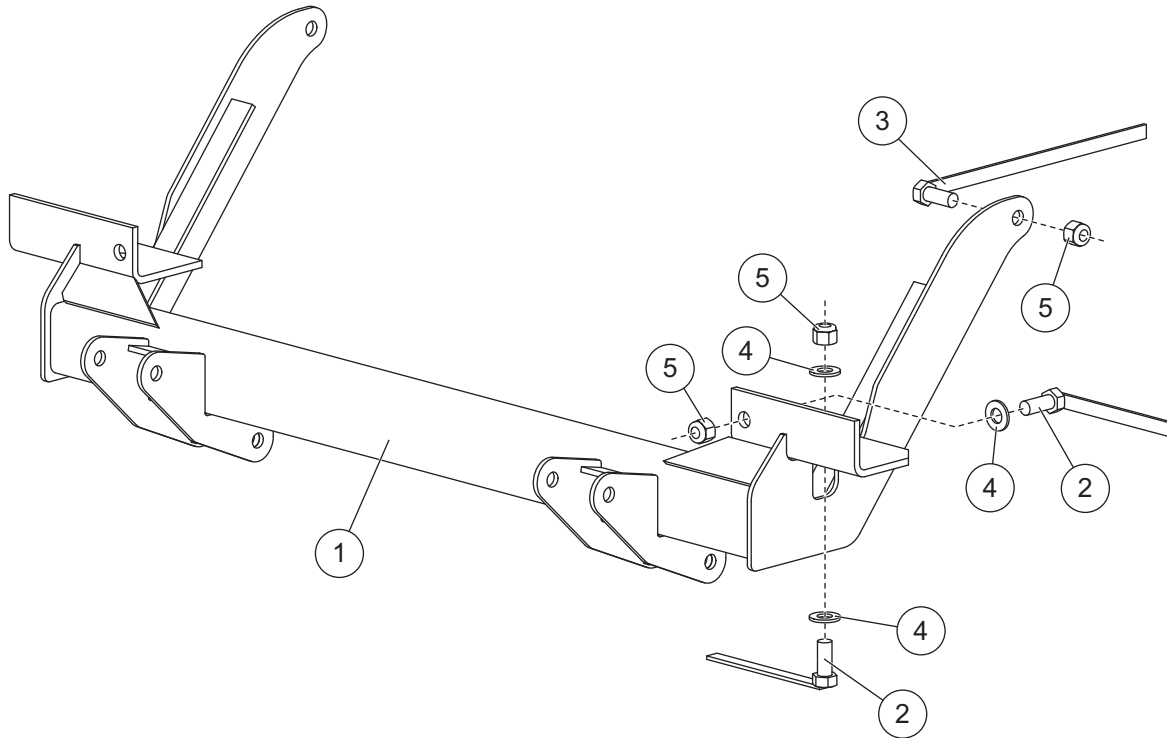
# MOUNT KIT – PERSONAL PLOW

Toyota Tacoma 2005 - \_\_

**32323**

## PARTS LIST

September 15, 2008  
Lit. No. 28864, Rev. 01



| 32323 Truck Mount Kit  |       |     |  |           |       |   |
|------------------------|-------|-----|--|-----------|-------|---|
| Item                   | Part  | Qty | Description                                      | Item      | Part  | Qty Description                                   |
| 1                      |       | 1   | Truck Mount – Toyota                             | 3         | 8879  | 2 1/2-13 x 1-1/4 Hex Cap Screw w/Handle G5 (long) |
| 2                      | 21316 | 4   | 1/2-13 x 1-1/4 Hex Cap Screw w/Handle G5 (short) | ns        | 28848 | 1 Bolt Bag – 32323                                |
| 28848 Bolt Bag – 32323 |       |     |  |           |       |   |
| 4                      | 90572 | 6   | 1/2 Hardened Flat Washer                         | 5         | 91335 | 6 1/2-13 Hex Locknut GB                           |
|                        |       |     | ns = not shown                                   | G = Grade |       |   |

Copyright © 2008 Douglas Dynamics, L.L.C. All rights reserved. This material may not be reproduced or copied, in whole or in part, in any printed, mechanical, electronic, film or other distribution and storage media, without the written consent of the company. Authorization to photocopy items for internal or personal use by the company's outlets or snowplow owner is granted.

The company reserves the right under its product improvement policy to change construction or design details and furnish equipment when so altered without reference to illustrations or specifications used. This equipment manufacturer or the vehicle manufacturer may require or recommend optional equipment for snow removal. Do not exceed vehicle ratings with a snowplow. The company offers a limited warranty for all snowplows and accessories. See separately printed page for this important information.

**Printed in U.S.A.**

---